

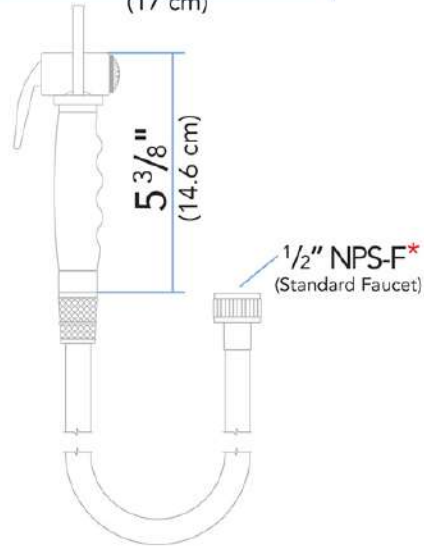
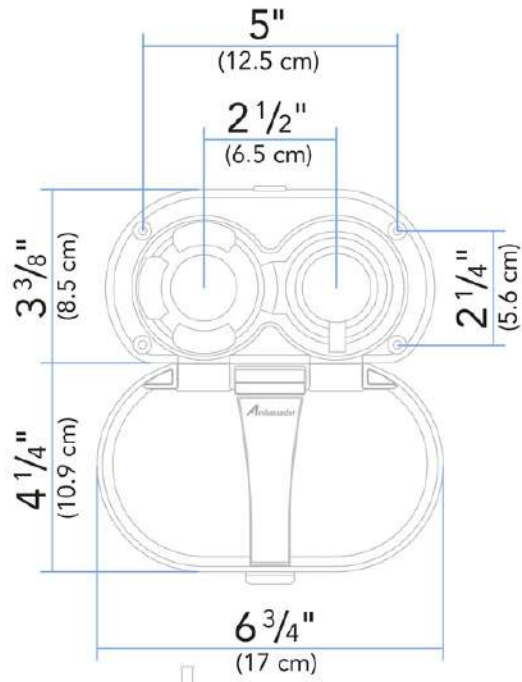
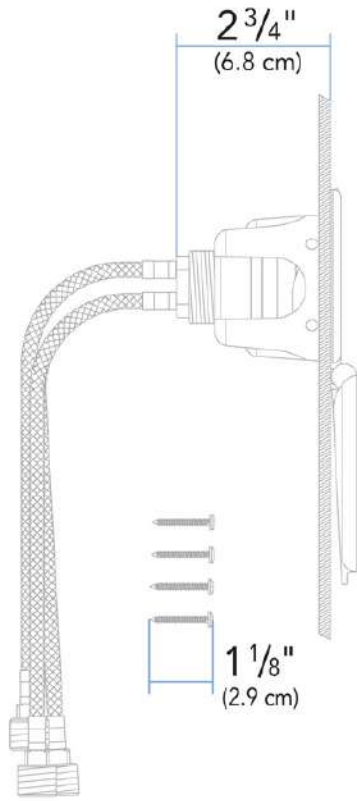
Rev. Change	
A	Ambassador branded
B	
C	
D	
E	
F	
G	

**Ambassador**  
MARINE

www.ambassadormarine.com  
(800) 270-4262

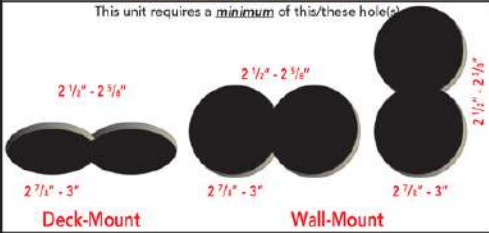
Model #  
**136-1712-xx**

Rev #  
**A**



**Installation Hole Requirement**

This unit requires a minimum of this/these hole(s)



ALL DIMENSIONS ± 1/16"  
SOME COMPONENTS MAY NOT BE DRAWN TO SCALE  
Ambassador Marine Inc. reserves the right to make product specification changes and to change or discontinue models without notice or obligation