

Rev. Change

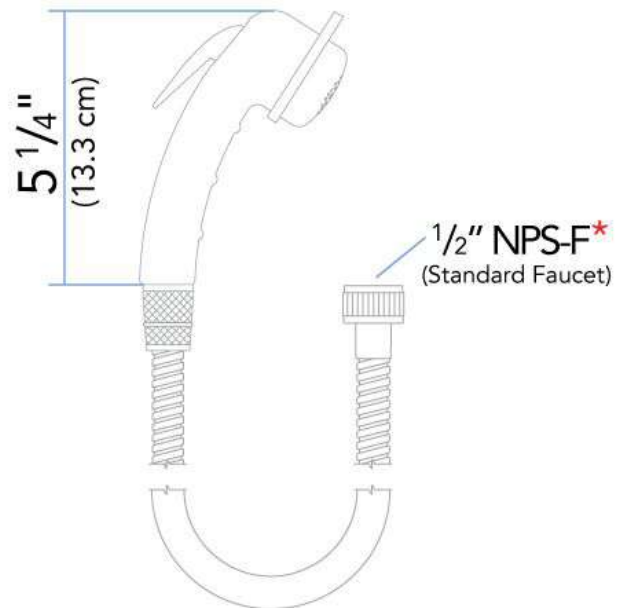
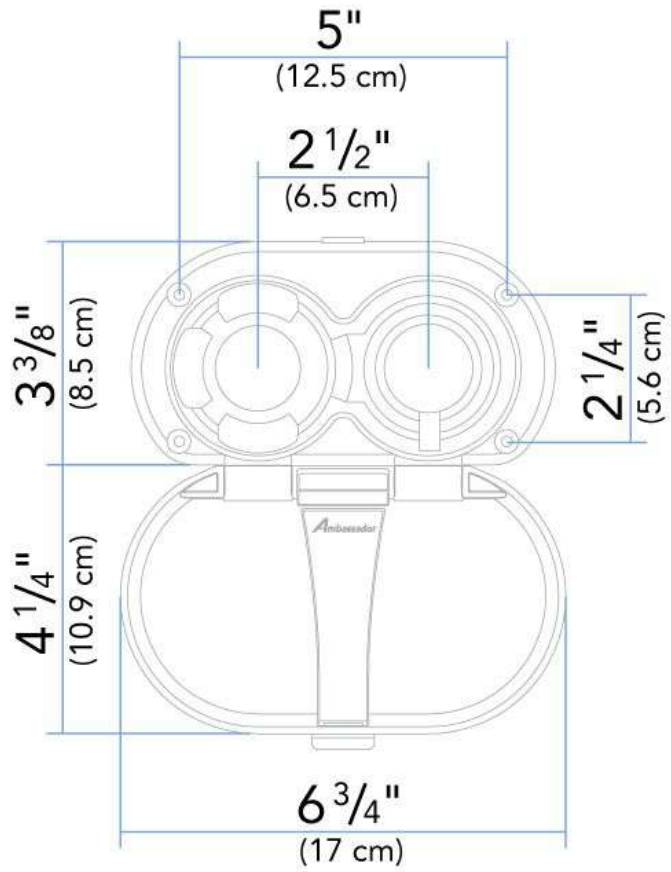
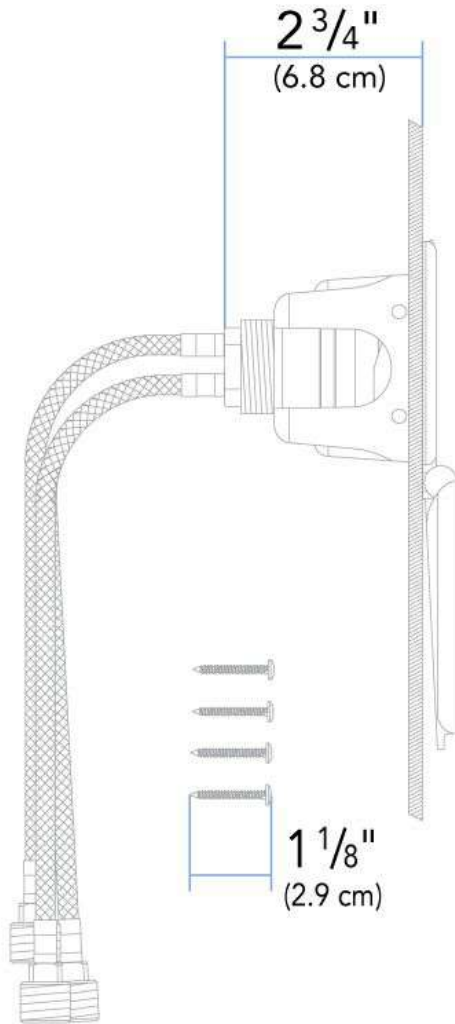
A	Ambassador branded
B	
C	
D	
E	
F	
G	

Ambassador
MARINE

www.ambassadormarine.com
(800) 270-4262

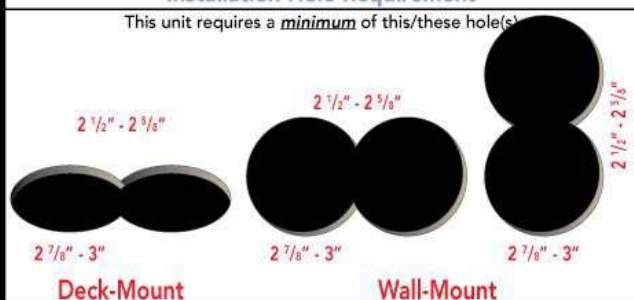
Model #
136-1708-xx

Rev #
A



Installation Hole Requirement

This unit requires a *minimum* of this/these hole(s)



ALL DIMENSIONS ± 1/16"
SOME COMPONENTS MAY NOT BE DRAWN TO SCALE

Ambassador Marine Inc. reserves the right to make product specification changes and to change or discontinue models without notice or obligation