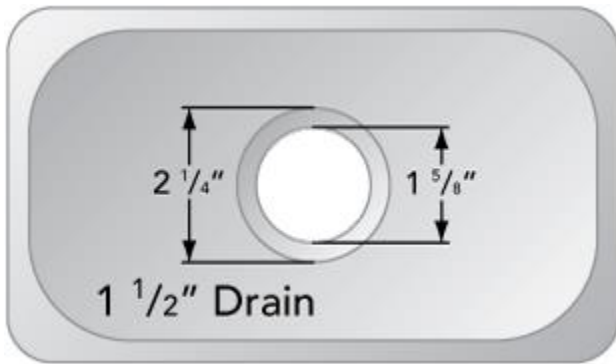
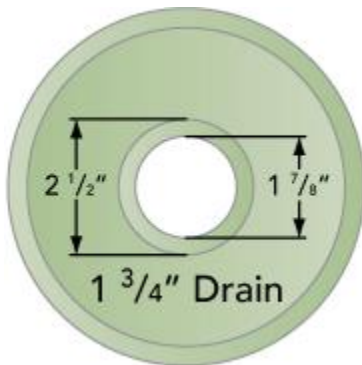


1-1/2" Drains – Fit sinks with 1-5/8" drain openings



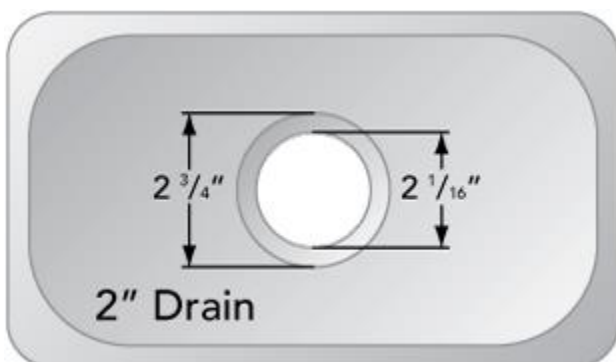
Sinks with 1 1/2" drains are generally used as head sinks. 1 1/2" drains are the standard size drain for lavatory sinks in North America. The name, 1 1/2" Drain, does not refer to the specific size of the hole in the sink or diameter of the drain, but is used as a standard term.

1-3/4" Drains – Fit sinks with 1-7/8" drain openings



Glass vessel sinks use a 1 3/4" drain and are generally used as head sinks. 1 3/4" drains are the standard size drain for vessel sinks in North America and Europe. The name, 1 1/2" Drain, does not refer to the specific size of the hole in the sink or diameter of the drain, but is used as a standard term.

2" Drains – Fit sinks with 2-1/16" drain openings



Sinks with 2" drains can be used as galley or head sinks. 2" drains are the standard size drain for most sinks Europe and the rest of the world. The name, 2" Drain, does not refer to the specific size of the hole in the sink or diameter of the drain, but is used as a standard term.