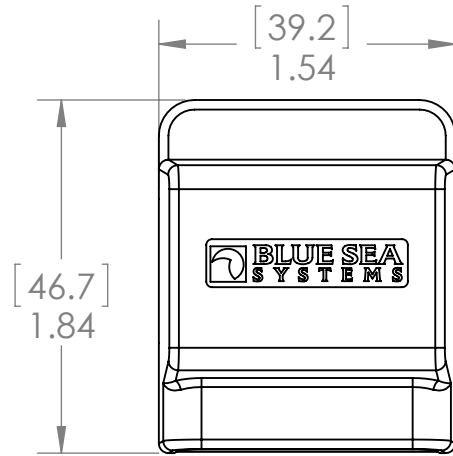
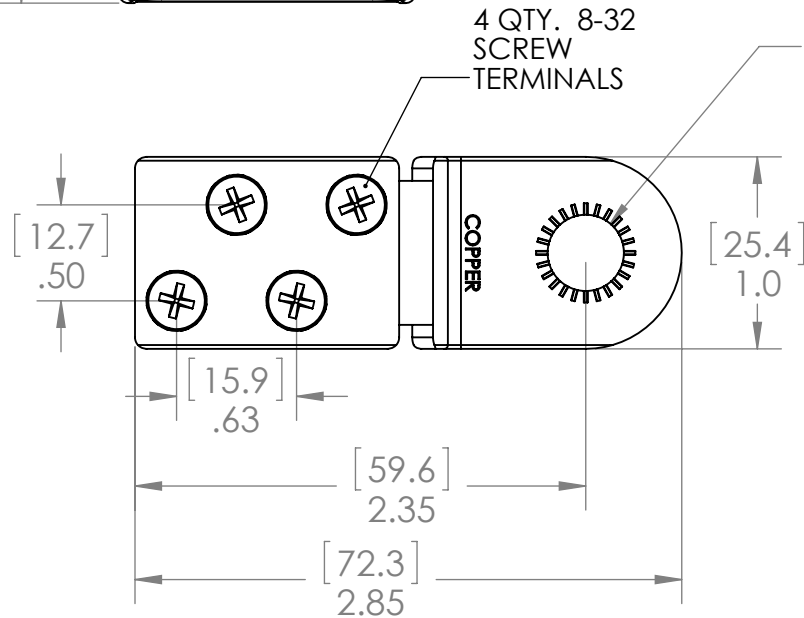
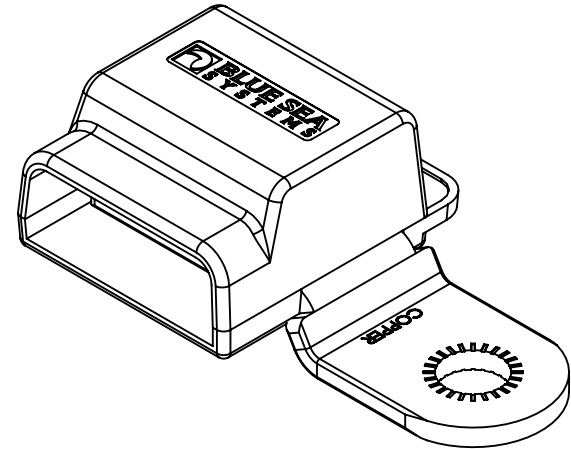


THIS DRAWING AND THE INFORMATION CONTAINED WITHIN IT ARE CONFIDENTIAL AND MAY NOT BE COPIED OR DISCLOSED WITHOUT THE WRITTEN PERMISSION OF BLUE SEA SYSTEMS.



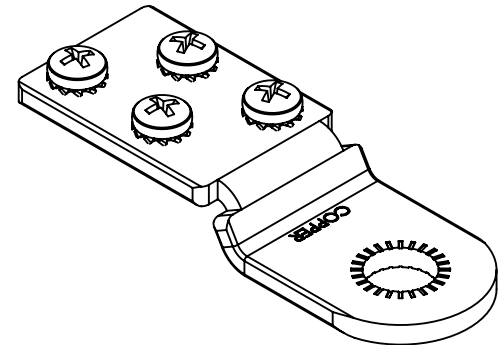
NOTE: NEGATIVE BUS/BLACK TERMINATION COVER ONLY SHOWN HERE.

PN 2340 INCLUDES POSITIVE BUS/RED INSULATING TERMINATION COVER



4 QTY. 8-32 SCREW TERMINALS

[10.1] Ø.4 CLEARANCE FOR Ø3/8" [M10]



THIRD ANGLE PROJECTION



	NAME	DATE
DRAWN	T.DYKAS	2014.10.13
CHECKED	-	-
-	-	-
-	-	-
-	-	-

COMMENTS:

-

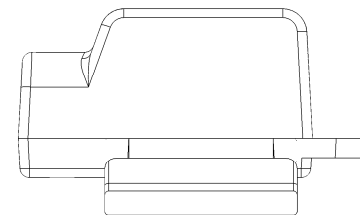
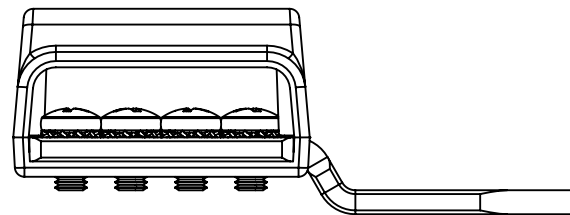
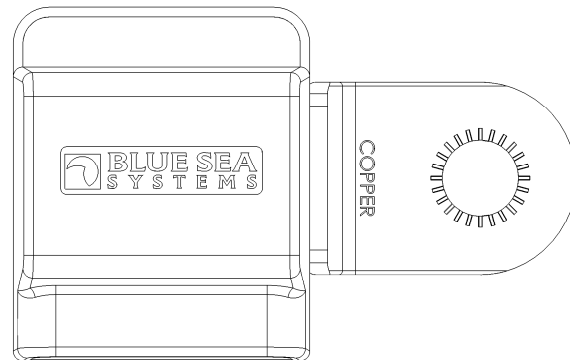
**BLUE SEA SYSTEMS**

425 Sequoia Drive Bellingham, WA 98226  
Phone (360)738-8230 Fax (360)734-4195

Customer Drawing  
PN 2340 ST-BTM Fuse Block 4 position

SIZE	DWG. NO.	REV.
A	2340-0 Bus NEG BT 4 Position	0
SCALE 1:1	WEIGHT:	SHEET 1 OF 2

THIS DRAWING AND THE INFORMATION CONTAINED WITHIN IT ARE CONFIDENTIAL AND MAY NOT BE COPIED OR DISCLOSED WITHOUT THE WRITTEN PERMISSION OF BLUE SEA SYSTEMS.



NOTE: NEGATIVE BUS/BLACK TERMINATION COVER ONLY SHOWN HERE.

PN 2340 INCLUDES POSITIVE BUS/RED INSULATING TERMINATION COVER

THIRD ANGLE PROJECTION



**BLUE SEA**  
SYSTEMS

425 Sequoia Drive Bellingham, WA 98226  
Phone (360)738-8230 Fax (360)734-4195

CUSTOMER DRAWING  
PN: 2340- BUSBAR ST-BTM 4 POSITION

SIZE	DWG. NO.	REV.
A	2340-0 Bus NEG BT 4 Position	0
SCALE 1:2	WEIGHT:	SHEET 2 OF 2