

# BLUE SEA SYSTEMS

## Marine Electrical Products

### Mini OLED DC Ammeter

PN 1732

Monitors DC current on a bright, waterproof, daylight readable screen

#### Features

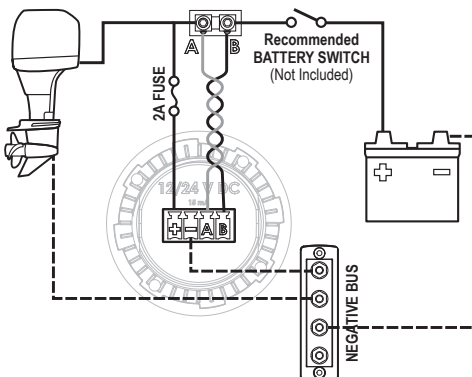
- Monitors current from -100A to +100A
- Measures current on the positive or negative side
- Reverse polarity protected
- Mounts in a common 1-1/8" (29mm) hole

#### Specifications

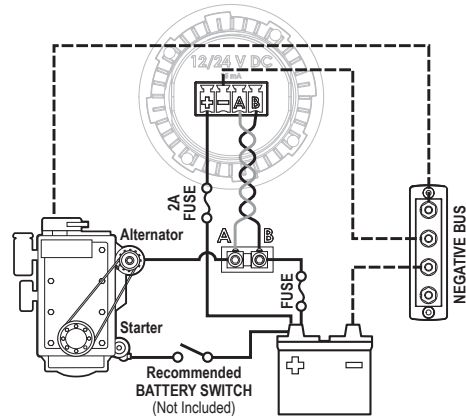
Nominal Voltage	12V / 24V DC
Voltage Range	8V-36V DC
Max. Operating Current	15mA
Resolution	0.1A
Accuracy	+/- 2%
Cutout Dimensions	1-1/8" (29mm) dia.
Shunt (included)	1x 9230 (100A/50mV)
Intermittent: 5 min.	110A
Cranking: 30 sec.	175A

#### Monitor Outboard Alternator

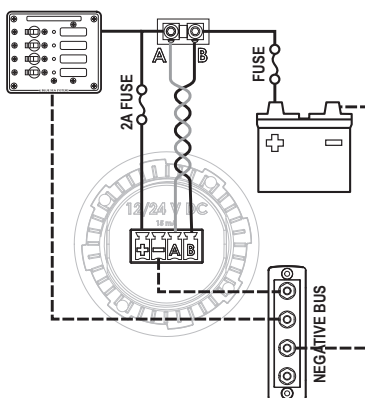
\* verify cranking ratings



#### Monitor Inboard Alternator

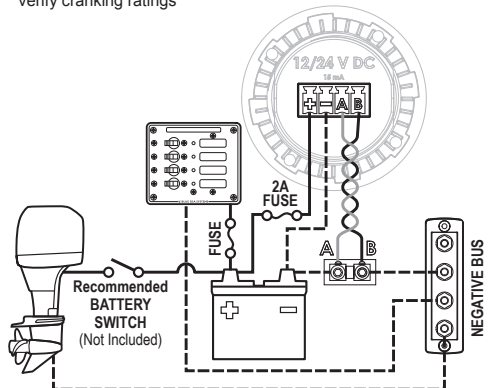


#### Monitor House Loads



#### Monitor System Amperage

\* verify cranking ratings



425 Sequoia Drive  
 Bellingham, WA 98226 USA  
 p 360.738.8230  
 conductor@blueseas.com

LEGEND  
 Positive ———  
 Negative - - - - -