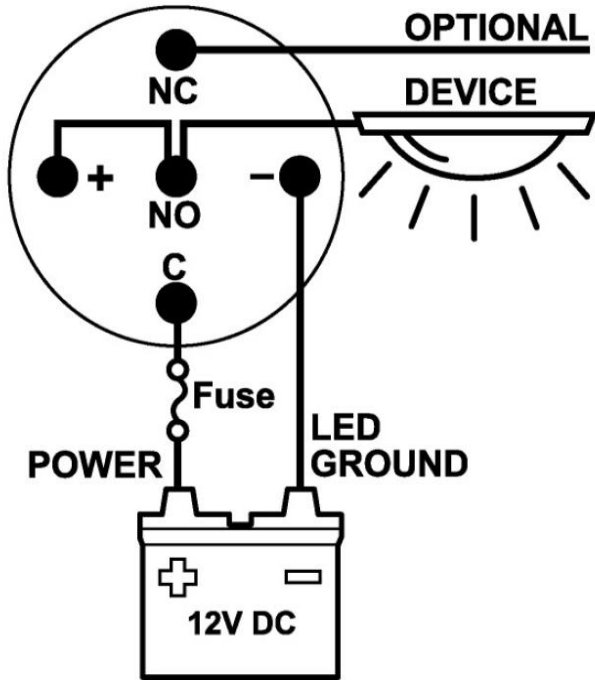


Typical Wiring Diagram for Normal ON-OFF function with the LED used as ON indication.



Pin Descriptions

- | | |
|---------------------|--|
| NC: Normally Closed | ON when switch is OFF |
| NO: Normally Open | ON when switch is ON |
| C: Common | C is generally used as the power input pin |
| +: LED Positive | DC + input for the switch LED. |
| - : LED Negative | DC - input for the switch LED |

Back of 4160 - Close up image of switch pins.

