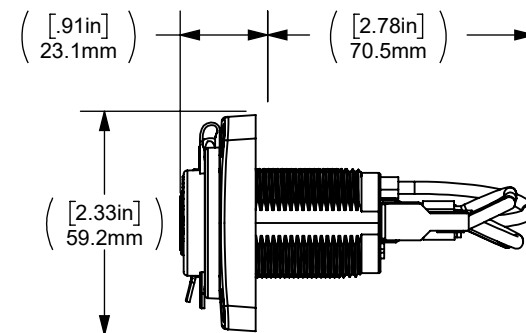
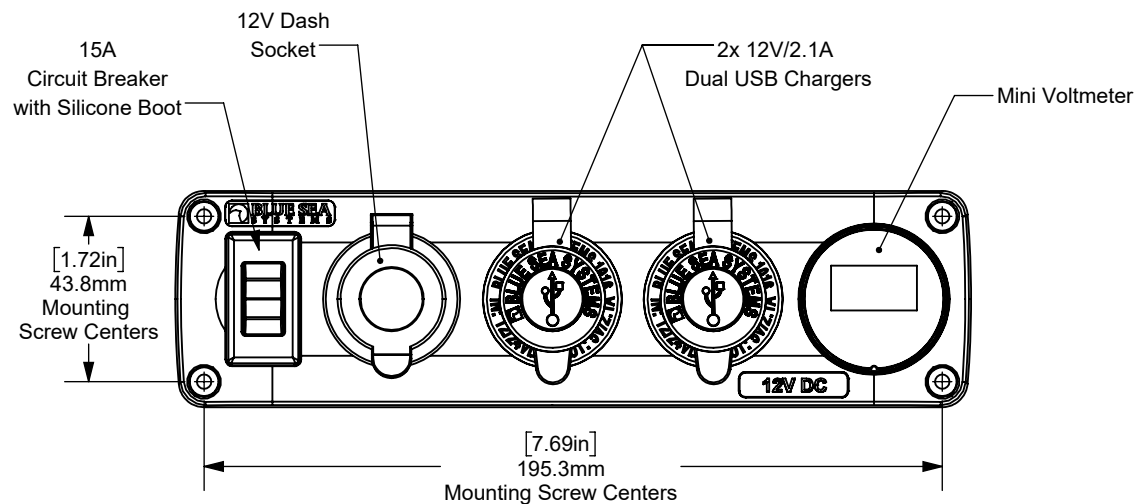
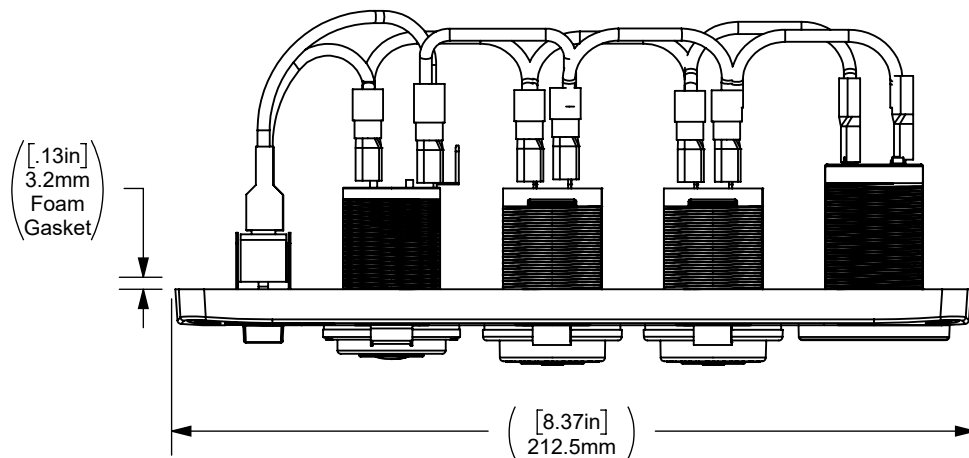


THIS DRAWING AND THE INFORMATION CONTAINED WITHIN IT ARE CONFIDENTIAL AND MAY NOT BE COPIED OR DISCLOSED WITHOUT THE WRITTEN PERMISSION OF BLUE SEA SYSTEMS.



THIRD ANGLE PROJECTION



BLUE SEA
SYSTEMS

425 Sequoia Drive Bellingham, WA 98226
Phone (360)738-8230 Fax (360)734-4195

4368 - Water Resistant Accessory Panel
15A Circuit Breaker, 12V Socket,
2x 2.1A Dual USB Chargers, Mini Voltmeter

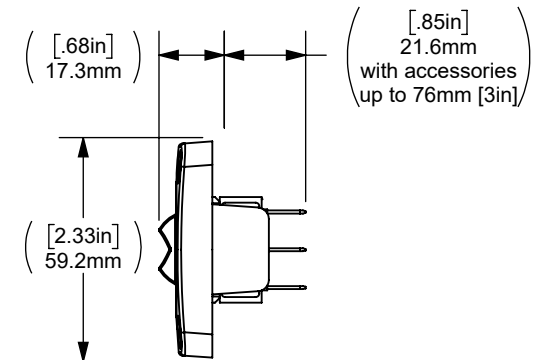
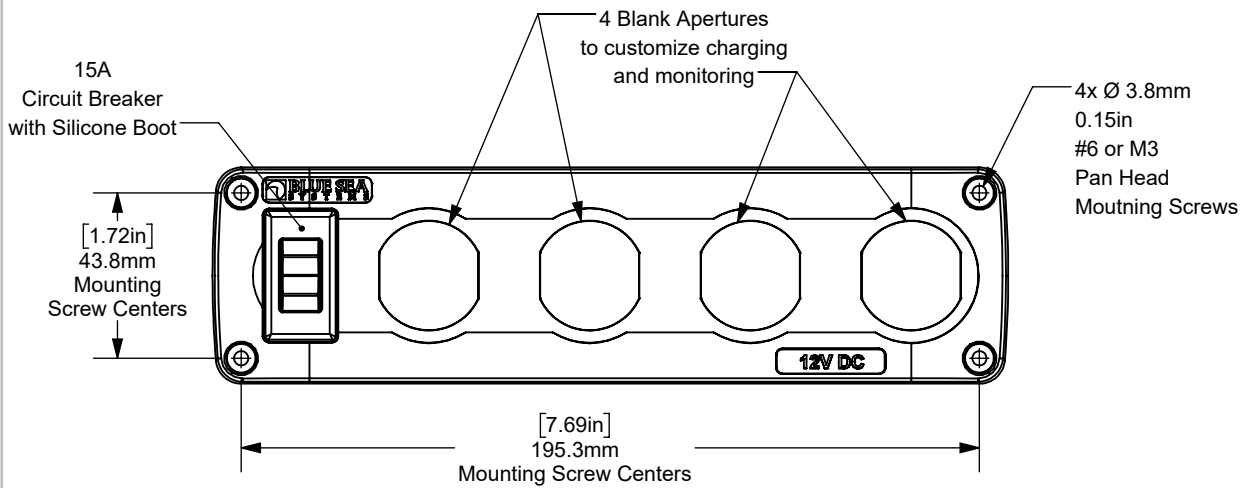
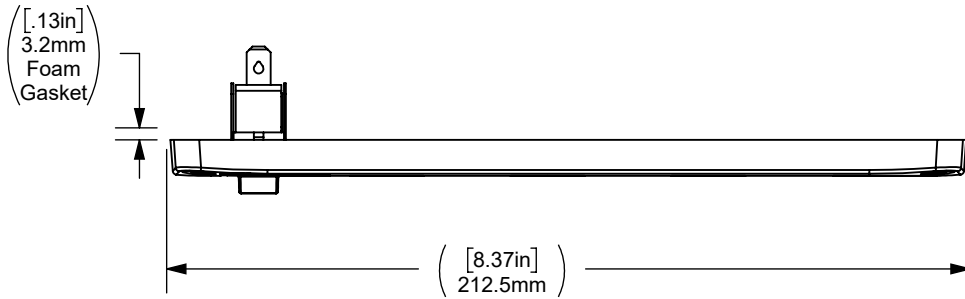
SIZE DWG. NO. **4368 - Customer Drawing**

REV.
1

SCALE 1:2 WEIGHT: POUNDS

SHEET 1 OF 4

THIS DRAWING AND THE INFORMATION CONTAINED WITHIN IT ARE CONFIDENTIAL AND MAY NOT BE COPIED OR DISCLOSED WITHOUT THE WRITTEN PERMISSION OF BLUE SEA SYSTEMS.



THIRD ANGLE PROJECTION



BLUE SEA
SYSTEMS

4600 Ryzex Way Bellingham, WA 98226
Phone (360)738-8230 Fax (360)734-4195

4369 - Water Resistant Accessory Panel
15A Circuit Breaker, 4 Blank Apertures

SIZE A	DWG. NO. 4369 - Customer Drawing	REV. 1
SCALE 1:2	WEIGHT: --	SHEET 2 OF 4

4368, 4369 Cutout Option #2

Drawing is 1:1

Page Size is 11in x 8.5in (landscape)

Due to variation in printers, cutouts are not assured to be to scale

For best results, print using "Actual Size" option, and verify dimensions of printout before using as template.

