

# BLUE SEA SYSTEMS

## Installation Instructions for Circuit Breaker Enclosure

3131 / 3131B

### Features

- Surface mount option for mounting single and double pole circuit breakers
- Accepts A-Series Toggle and Flat Rocker and C-Series Flat Rocker Circuit Breakers

### Required Tools For Installation

- 1- 1/8" drill or hole saw
- Drill motor suitable for above
- Screw driver
- Knife
- Measuring device
- Wire cutter and crimper

### Required Parts

- Suitable ring terminals for circuit breaker and grounding connections

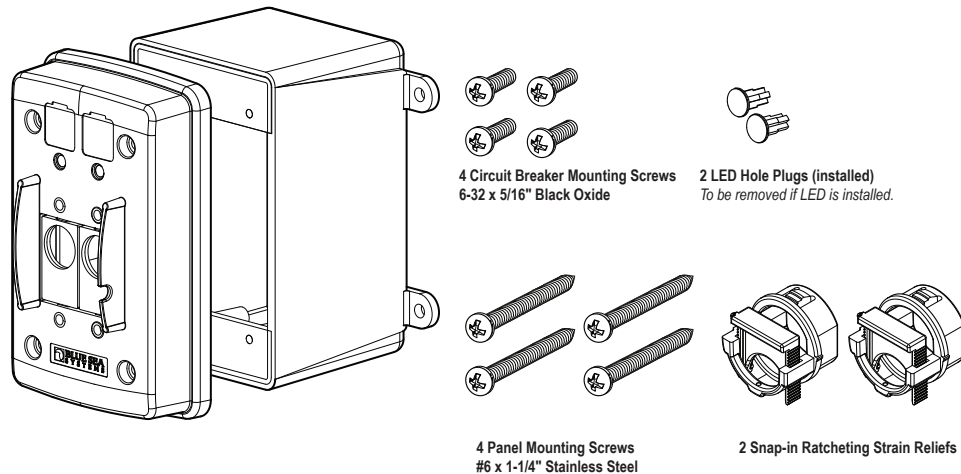
### Guarantee

Blue Sea Systems stands behind its products for as long as you own them.

Find detailed information at [www.blueseasystems.com/about](http://www.blueseasystems.com/about). For customer service, call 800-222-7617.

980014250 Rev.001

## Components Included



980014250 Rev.001

## Installation Instructions



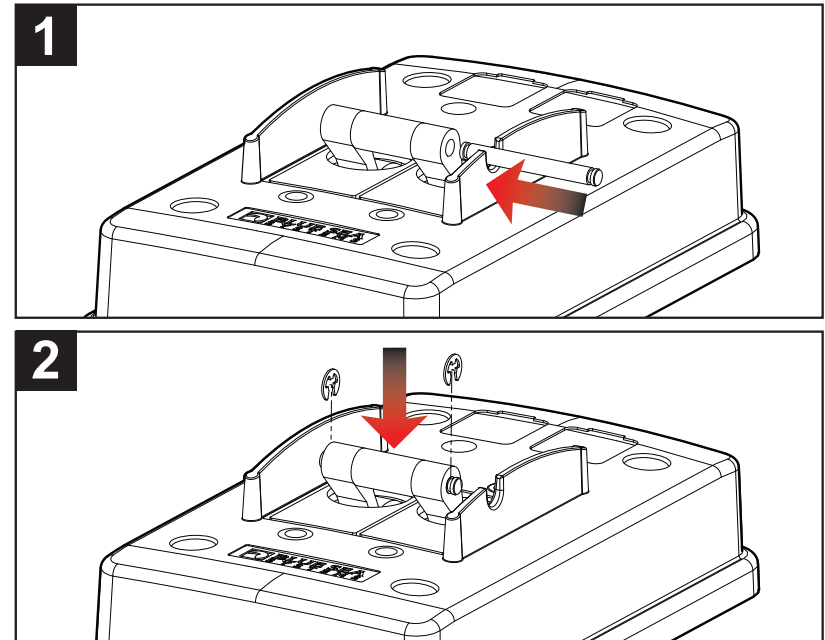
Hazardous voltage. Improper handling can cause death or serious injury. Turn off any shore sources and disconnect shore cord(s). Lock out other AC power sources before beginning electrical installation.



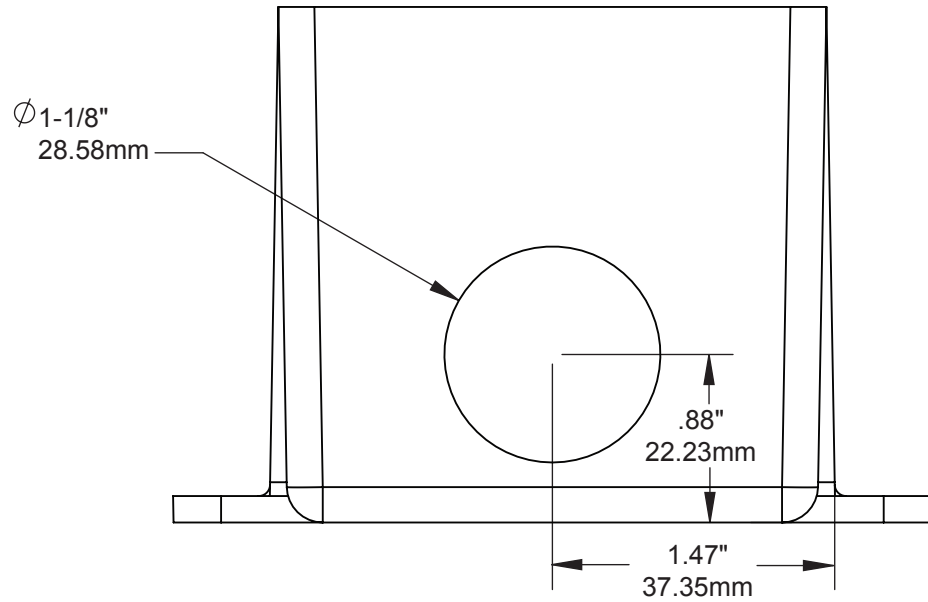
The Surface Circuit Breaker Enclosure should be installed by a certified marine electrician.

- Plan the installation by determining where the enclosure will be mounted
  - Per ABYC, For AC Main Breakers, the enclosure cannot be mounted further than the reach of a 10' cable from the AC power inlet
  - Allow for a wire drip loop outside the enclosure and sufficient service loop for wires inside the enclosure
- Try all strain reliefs on the wire for correct fit before proceeding.
- Determine breaker style to be used and remove breaker cover knockouts if required.
- If using a double pole toggle breaker:
  - Install breaker with tie bar removed.
  - Fasten breaker to panel with mounting screws.
  - Place spacer between toggles and install tie bar. (see #1 diagram below)
  - Install E-Clips onto tie bar. (see #2 diagram below)
- Determine if LED(s) will be used. If so, remove the LED aperture plug(s) from LED holes by pressing out from underside of panel. Press LED(s) into hole.
- Use the drill guides (on reverse side of this sheet) for strain relief hole placement.
- Install necessary wiring through strain relief hole.
- Complete wiring connections.
- Install and tighten strain relief. Strain relief wire clamp can be removed with snap ring pliers.
- Place labels in label recesses if desired.

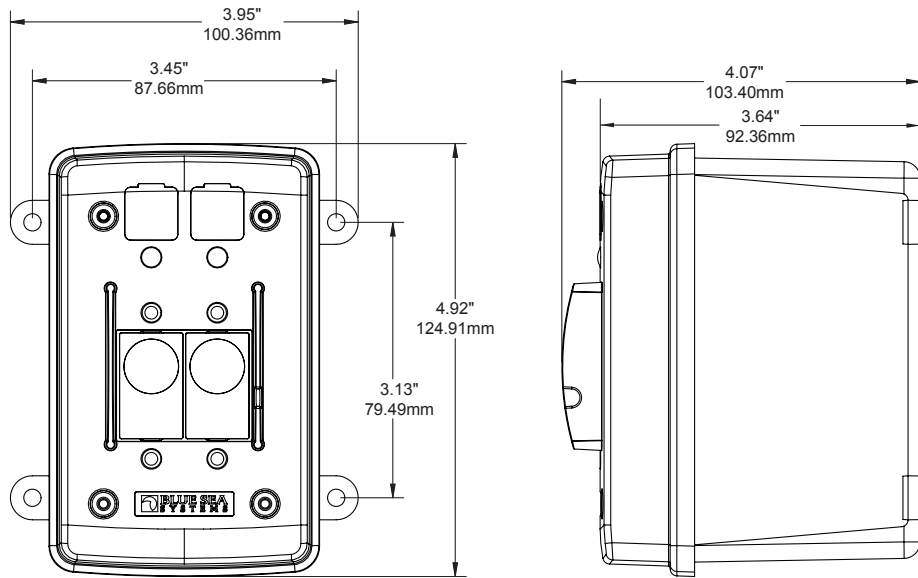
## Mounting a Double Pole Toggle Breaker



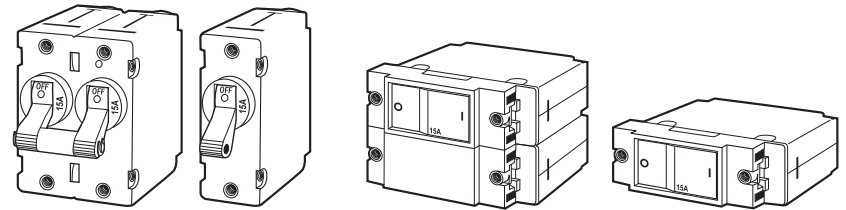
## Recommended Drill Guide Placement



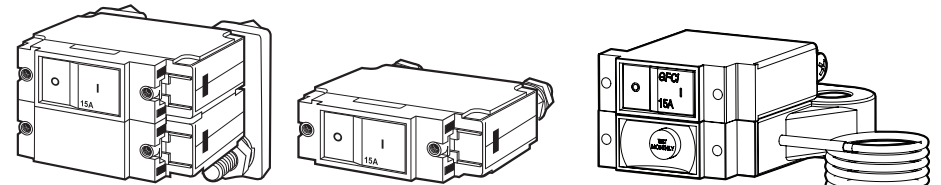
## Dimensioned Drawings



## Optional Accessories



A-Series Toggle and Flat Rocker Circuit Breakers (single and double pole)



C-Series Flat Rocker Circuit Breakers (single and double pole)

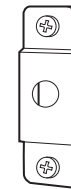
GFCI Branch 3100



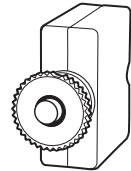
360 Panel Adapter 4119  
Provides a method of mounting a  
Rocker Switch



Rocker Switches  
7480-7495



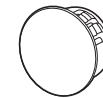
360 Panel Adapter 4111  
Provides a method of mounting a  
Push Button Reset-Only Circuit Breaker



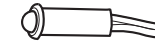
Push Button Reset-Only Circuit Breakers  
2129-2137 (Screw Terminals)  
7050-7061 (Quick Connect Terminals)



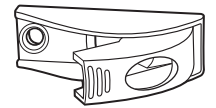
360 Panel Plug 4116  
Fills empty aperture



Circuit Breaker Panel Plug 8037



LED Indicator Lights



Toggle Guard 4100  
Protects toggle circuit breakers  
from accidental switching



425 Sequoia Drive  
 Bellingham, WA 98226 USA  
 p 360.738.8230  
 p 800.222.7617 USA and Canada  
 f 360.734.4195  
 conductor@blueseas.com  
 www.blueseas.com