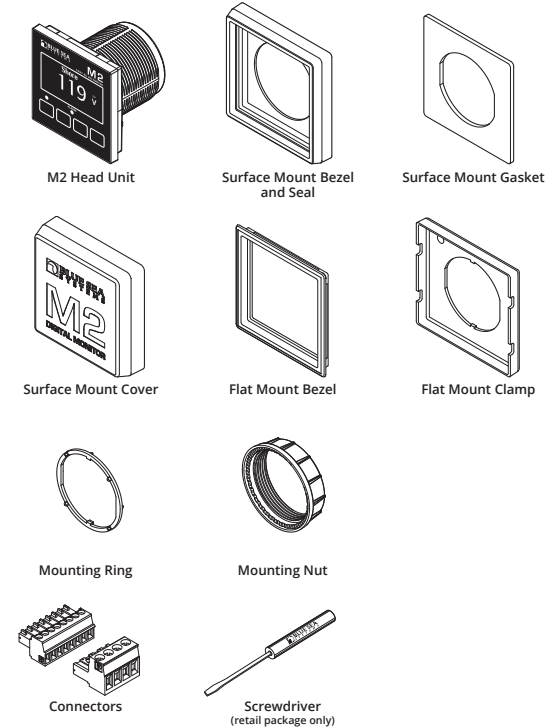


M2 OLED Digital Monitor

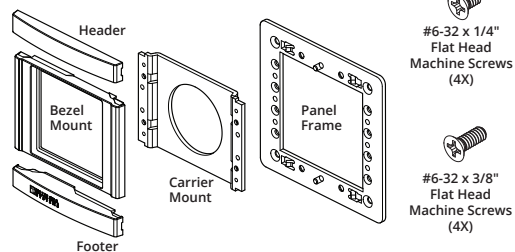
QuickStart Installation Guide

1837 AC Voltmeter

Components Included



360 Panel Mounting Kit PN 1525 sold separately



Connector Pin Assignment

Connector Pin Assignment Table

USB	Micro USB Port
4 Pin Connector*	Function
1	AC Voltage 1 - HOT
2	AC Voltage 1 - NEUTRAL
3	AC Voltage 2 - NEUTRAL
4	AC Voltage 2 - HOT
8 Pin Connector**	Function
1 <i>Required Connection</i>	DC Negative
2 <i>Required Connection</i>	DC Positive
3	Relay DC Output
4	Relay DC Supply
5	No Connection
6	No Connection
7	No Connection
8	No Connection

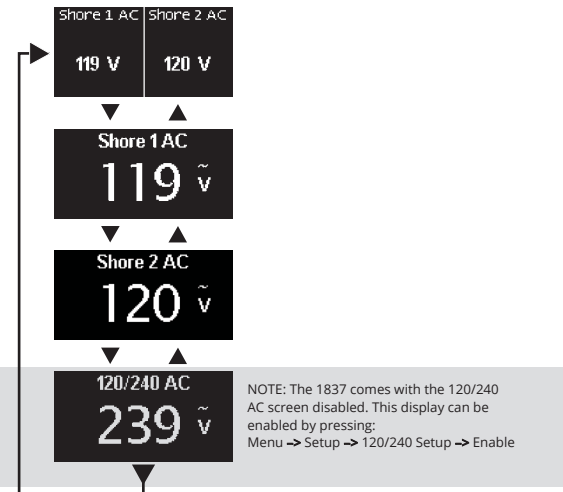
*The 4 pin high voltage connector supports wire sizes from 12-24 AWG
 **The 8 pin low voltage connector supports wire sizes from 16-26 AWG

M2 Meter Navigation

Screen Menu Functions

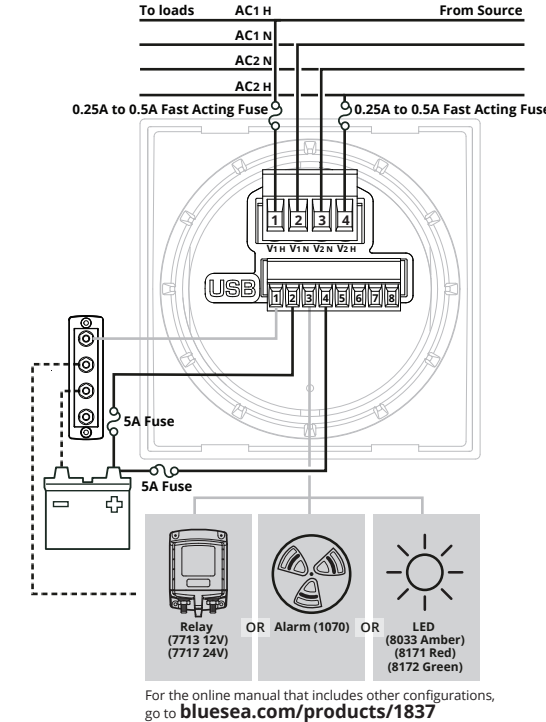
Press any button to bring up the menu.

- After start-up, press any button to access the menu.
- Press the UP or DOWN arrow buttons to scroll through menu windows.
- To set alarms and for more detailed information, see the online manual at blueseas.com/products/1837



System Overview

1837 AC Voltmeter Connections



For the online manual that includes other configurations, go to blueseas.com/products/1837

Installation Steps

- Choose meter mounting style and location
- Turn on AC Power
- Prepare mounting hole using cutout templates
- Using wiring diagram, make all connections to the meter's connector. Do not put fuses into fuse holders at this time.
- Plug wired terminal block into the meter
- Insert fuses into fuse holders, making the fuse to Pin 2 (DC Supply) Last.
- Turn on AC Power.

Basic Meter Setup

- No setup is required.
- If you are only monitoring one AC Line, you may want to turn off the unused inputs to prevent them from being displayed.
- For information regarding advanced setup options, see the full instructions on our website.

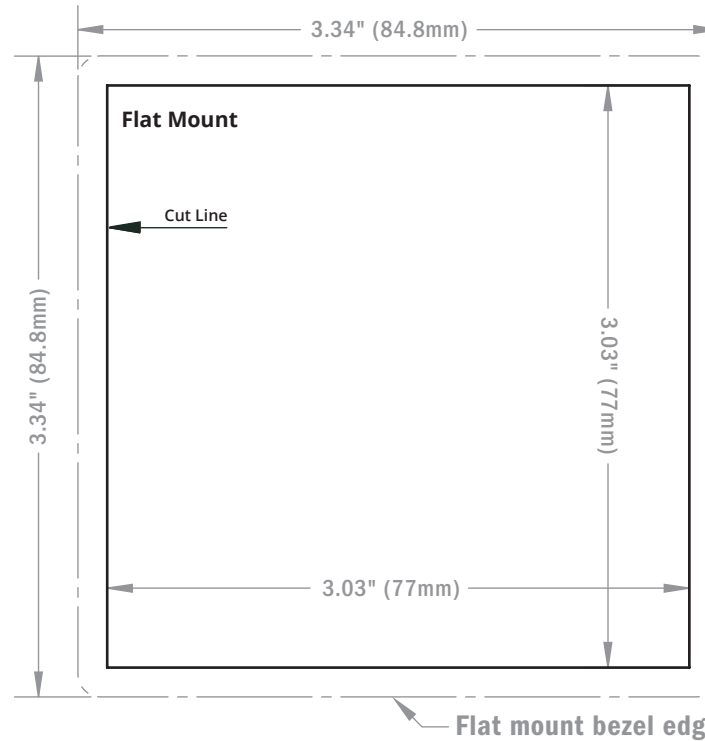
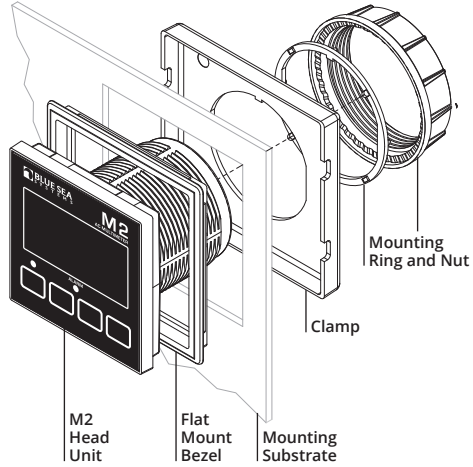


Click here for more information at blueseas.com/products/1837

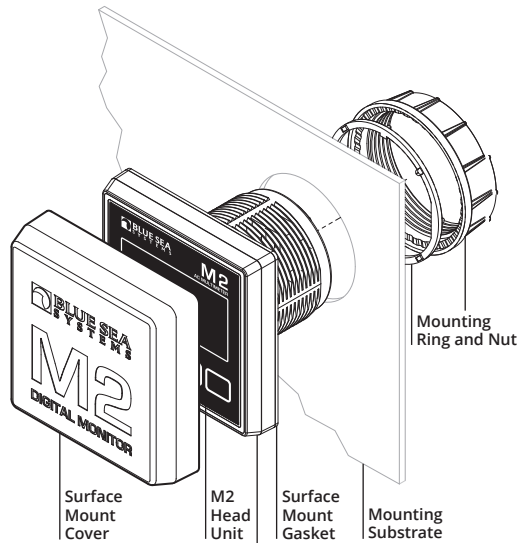
Mounting Options

Mounting Templates

Flat Mount

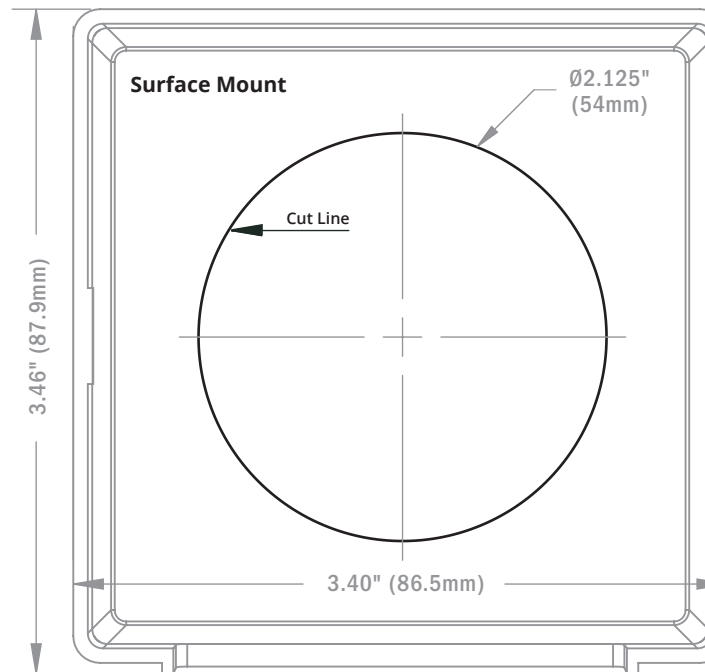


Surface Mount



NOTE: During installation use cover to align the bezel and gasket

Surface Mount Bezel and Seal



⚠ WARNING

The WARNING symbol refers to possible injury to the user or significant damage to the monitor if the user does not follow the procedures.

⚠ CAUTION

The CAUTION symbol refers to restrictions and rules with regard to preventing damage.

⚠ WARNING

If you are not knowledgeable about electrical systems, have an electrical professional install this unit. The diagrams in these instructions pertain to the installation of the unit and not to the overall wiring of the vessel.

Verify that no other DC or AC sources are connected to the vessel's wiring before installing the unit.

⚠ CAUTION

The back of the unit is not waterproof. Do not install where the back of the monitor is exposed to water.

Warranty

The M2 OLED Digital Meters come with a 5 year manufacturer's warranty. This means the meter is warranted to be free from defects in materials or workmanship for 5 years from the date of first purchase. The warranty is limited solely to the cost of repair or replacement of the M2 Meter product. Costs associated with labor or shipping of the defective parts are not covered.

Blue Sea Systems cannot accept liability for damage due to the misuse of the M2 Meter.