



**DANGER! Hazardous voltage. Can cause death or serious injury. Turn off and lock out power supply before installing PB-Series ELCI / RCBO.**

**SAFETY INSTRUCTIONS**

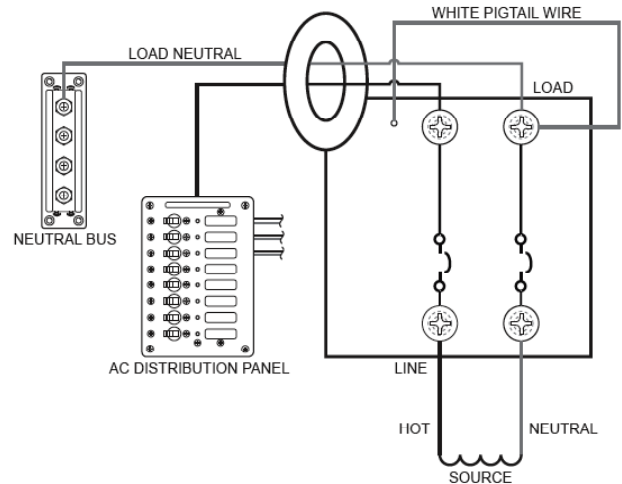
- The ELCI/RCBO will not protect against a line to line fault hazard.
- Do not ground neutral on the Load Side of the ELCI/RCBO.
- Test ELCI/RCBO once a month. See test instructions below.
- Not for use in portable or cord-connected applications. Use only in permanently installed enclosures.
- Do not subject to megger, high voltage or hi-pot test. Remove ground fault circuit breaker before hi-potting occurs on the circuit or system. (Ref. Sect. 550-12, NEC).
- Do not reverse Line and Load connections.
- Do not supply power to the Load connections from another source as damage will occur. Not suitable as a source selector.

**INSTALLATION PROCEDURE:**

1. The ELCI/RCBO should be installed by a qualified electrician.
2. Turn "OFF" and lock out the power to enclosure in which ELCI/RCBO is to be installed.
3. Turn "OFF" the ELCI/RCBO handle. Feed the load side (L1) hot and (N) neutral wires through the opening in the sensing coil. Connect to the appropriate load side terminals of the circuit breaker. Connect corresponding line side (source) wires directly to the Breaker Line Terminals.
4. Connect the white "pigtail" neutral wire of ELCI/RCBO to the load side Neutral terminal (see Fig. A).
5. Mount ELCI/RCBO to front panel and mount front panel to enclosure (may be mounted first, depending on installation).
6. Turn "ON" power and turn "ON" breaker handle. Test the ELCI/RCBO as per test instructions below.
7. Place Monthly Test Reminder label in a convenient place near the or on the panel and instruct equipment users on test procedures and the importance of performing and recording monthly tests.

**Fig. A.**

**ELCI/RCBO Installation  
Marine Main Circuit Protection**



**TEST INSTRUCTIONS:**

1. Turn on the power to the panel.
2. Turn "ON" the ELCI/RCBO handle.
3. Depress the "TEST MONTHLY" button. This will cause the handle to move to the "OFF" position indicating that the ELCI/RCBO is functioning properly. If the handle fails to move to the "OFF" position the unit **MUST** be replaced.
4. Restore power by moving the ELCI/RCBO handle to the "ON" position.
5. This test is to be performed on a monthly basis and recorded on the "Monthly Test Reminder" label.

**WHEN ELCI/RCBO TRIPS:**

The PB-Series ELCI/RCBO opens the circuit when there is an overload or ground fault condition. When tripping occurs perform the following steps:

1. Some faults are self-clearing. Try resetting the breaker once.
2. If breaker is installed as a main circuit breaker, turn off all branch breakers supplied from this breaker and try resetting. If the breaker does not trip, reset branch circuit breakers one at a time to locate a possible fault in branch circuit.
3. If breaker continues to trip, the device is performing its intended protection function, which means that a hazardous condition could exist. A qualified electrician should be called to evaluate the circuit.