

4

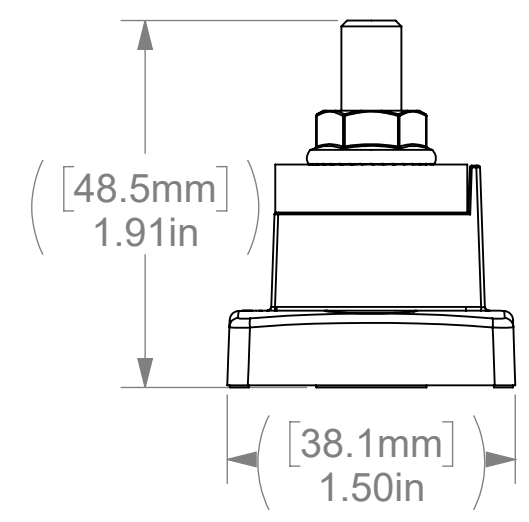
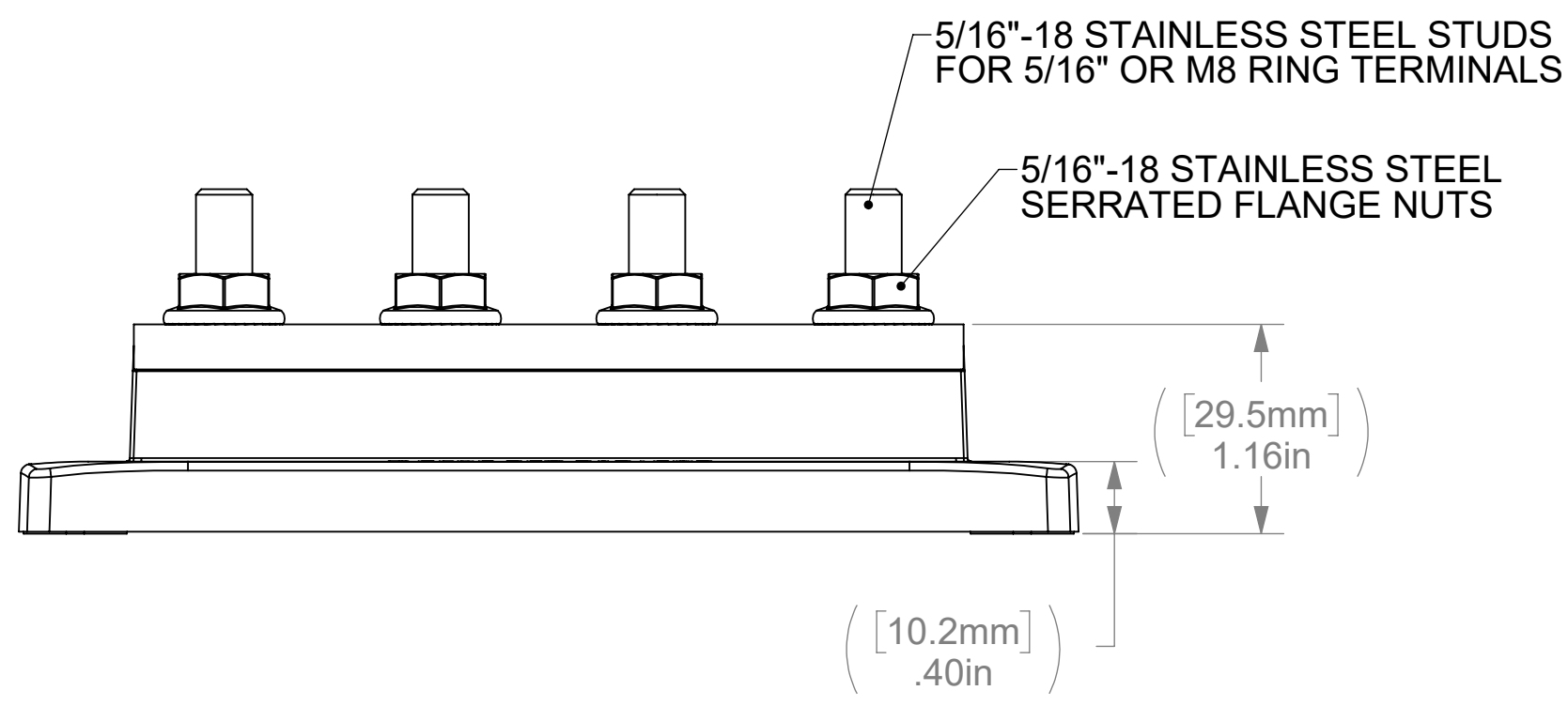
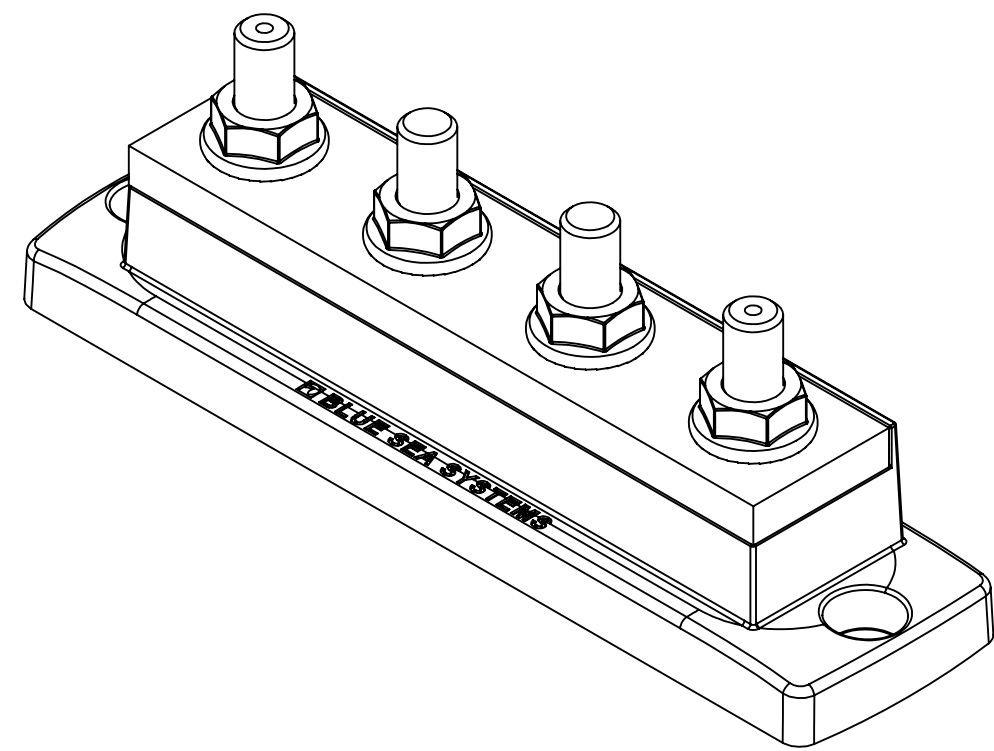
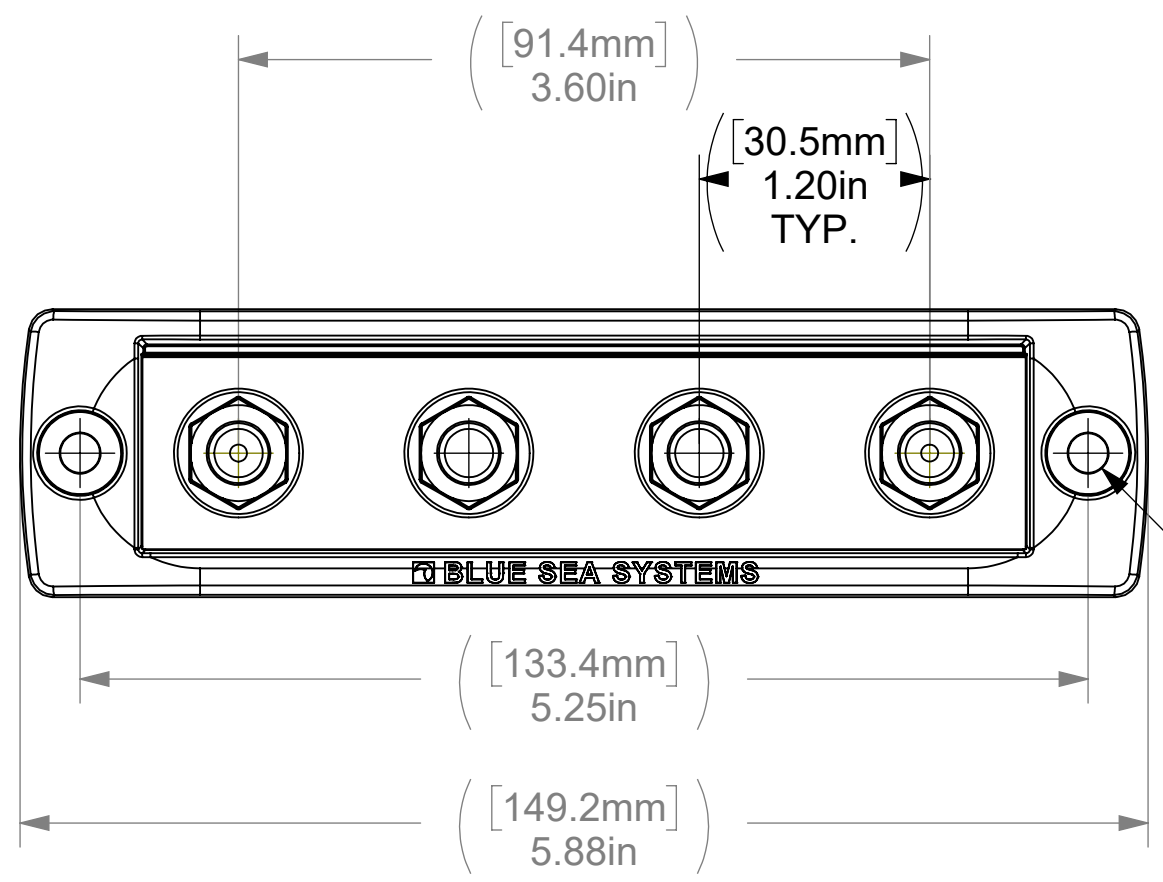
3

2

1

THIS DRAWING AND THE INFORMATION CONTAINED WITHIN IT ARE CONFIDENTIAL AND MAY NOT BE COPIED OR DISCLOSED WITHOUT THE WRITTEN PERMISSION OF BLUE SEA SYSTEMS.

REVISIONS				
ZONE	REV.	DESCRIPTION	DATE	APPROVED
	1	PRODUCTION RELEASE	2012.3.27	S. SCHANKEN
	3	DRAWING UPDATE TO SHOW CHANGE TO FLANGE NUTS	2014.7.8	S. SCHANKEN
	3	UPDATED TO STANDARDIZE NOTES. NO REVISION CHANGE	2015.8.31	S. SCHANKEN
	3	REMOVE TOLERANCE BLOCK, REFERENCE DIMENSIONS, CUSTOMER DRAWING	2023.04.13	T. DYKAS



THIRD ANGLE PROJECTION



NAME	DATE
DRAWN T. DYKAS	2011.5.28
CHECKED J. RAU	2015.8.31
-	-
-	-
-	-



CUSTOMER DRAWING
 MAXIbus 4 x 5/16 Stud Common New
 Part Number 2127

SIZE C	DWG. NO. 2127	REV. 3
SCALE 1:1	WEIGHT: --	SHEET 1 OF 1

4

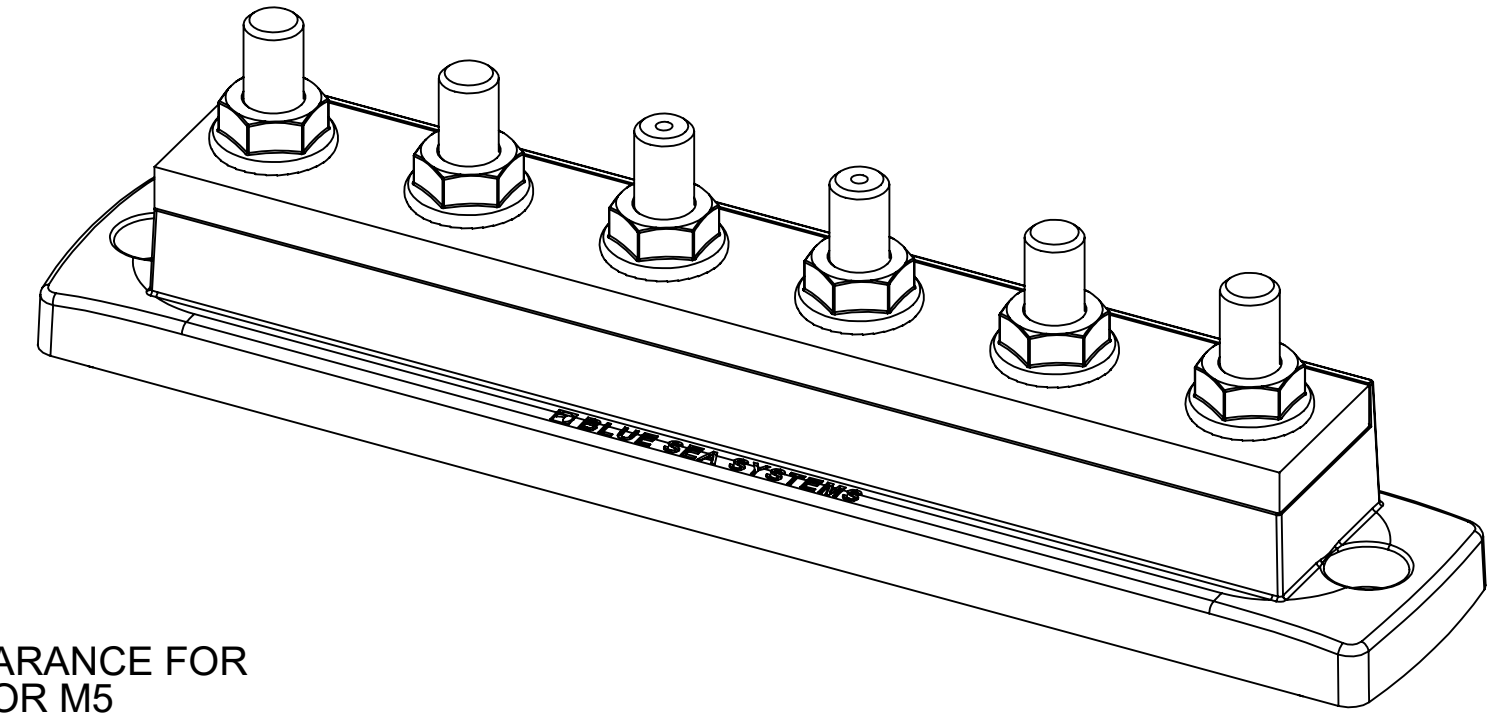
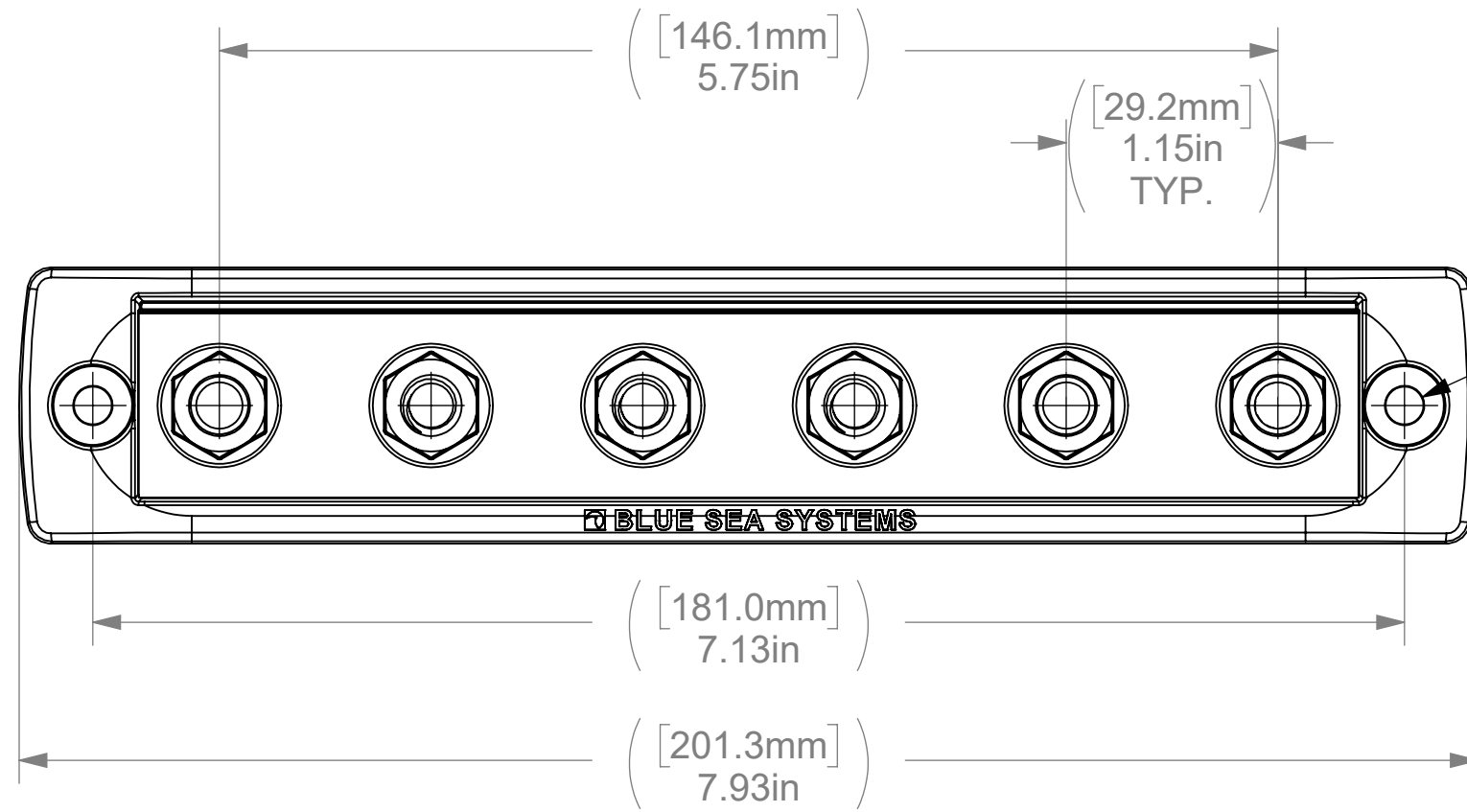
3

2

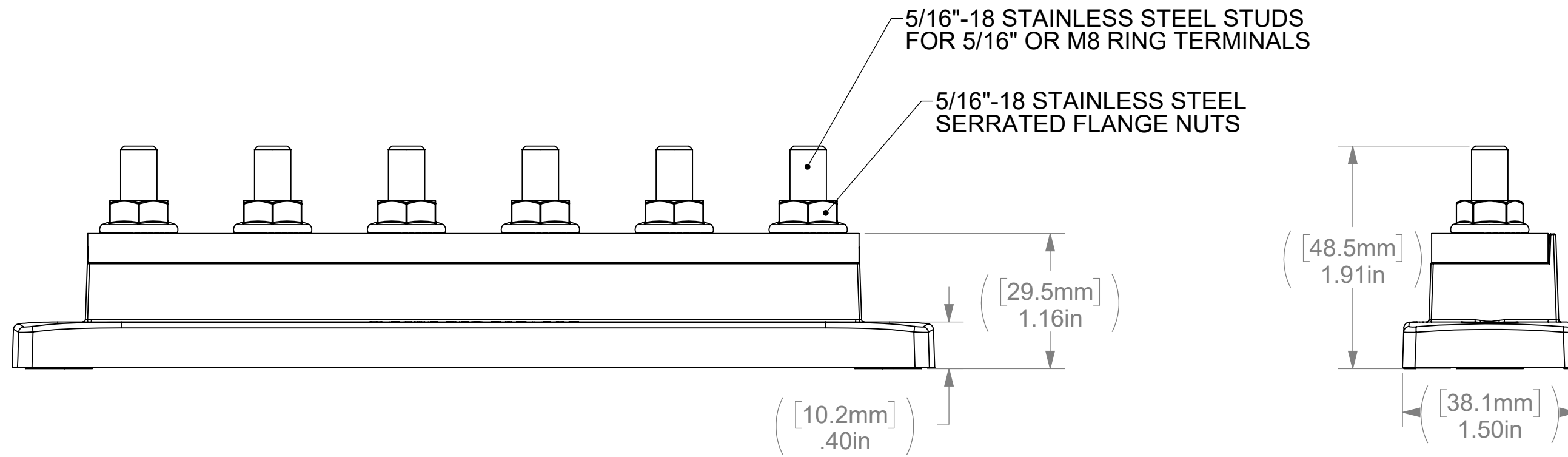
1

THIS DRAWING AND THE INFORMATION CONTAINED WITHIN IT ARE CONFIDENTIAL AND MAY NOT BE COPIED OR DISCLOSED WITHOUT THE WRITTEN PERMISSION OF BLUE SEA SYSTEMS.

REVISIONS				
ZONE	REV.	DESCRIPTION	DATE	APPROVED
	1	PRODUCTION RELEASE	2012.3.27	S. SCHANKEN
	3	UPDATED TO SHOW SERRATED FLANGE NUTS	2015.8.31	S. SCHANKEN
	3	REMOVE TOLERANCE BLOCK, REFERENCE DIMENSIONS, CUSTOMER DRAWING	2023.04.13	T. DYKAS




CLEARANCE FOR #10 OR M5 MOUNTING HARDWARE



THIRD ANGLE PROJECTION



NAME	DATE	 BLUE SEA SYSTEMS 425 Sequoia Drive Bellingham, WA 98226 Phone (360)738-8230 Fax (360)734-4195
DRAWN T. DYKAS	2011.05.17	
CHECKED J. RAU	2015.8.31	
COMMENTS:		CUSTOMER DRAWING MAXibus 6 x 5/16 Stud Common Part Number 2126
SIZE C	DWG. NO. 2126	REV. 3
SCALE 1:1	WEIGHT: --	SHEET 1 OF 1

4

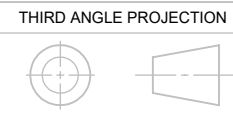
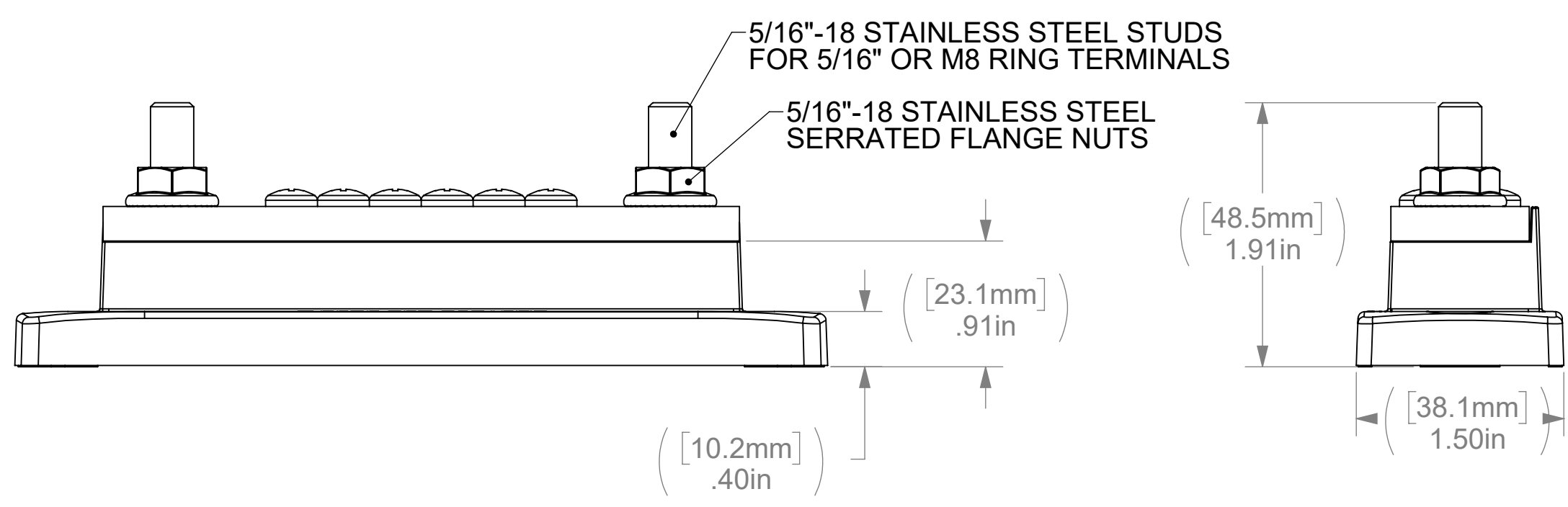
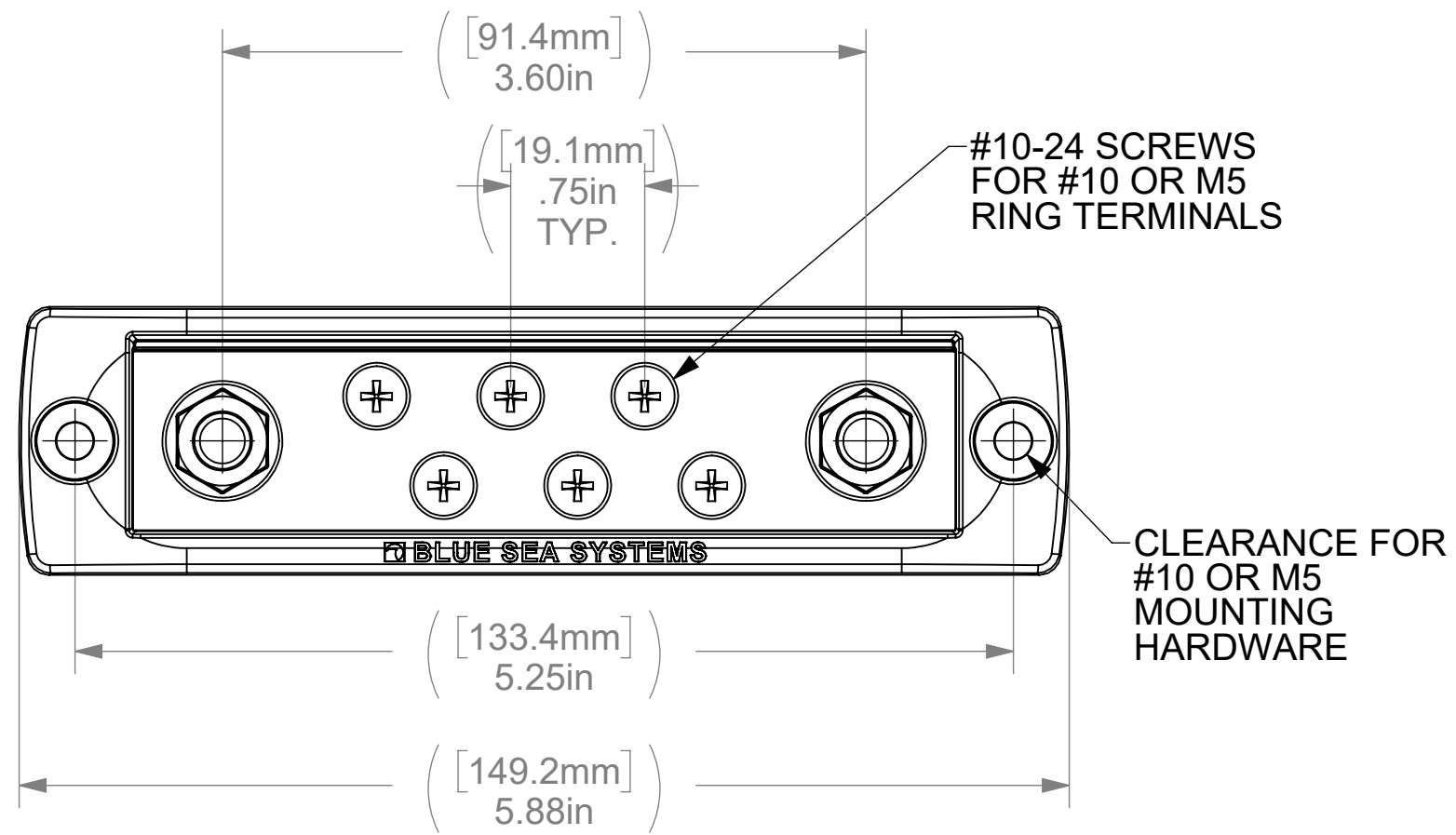
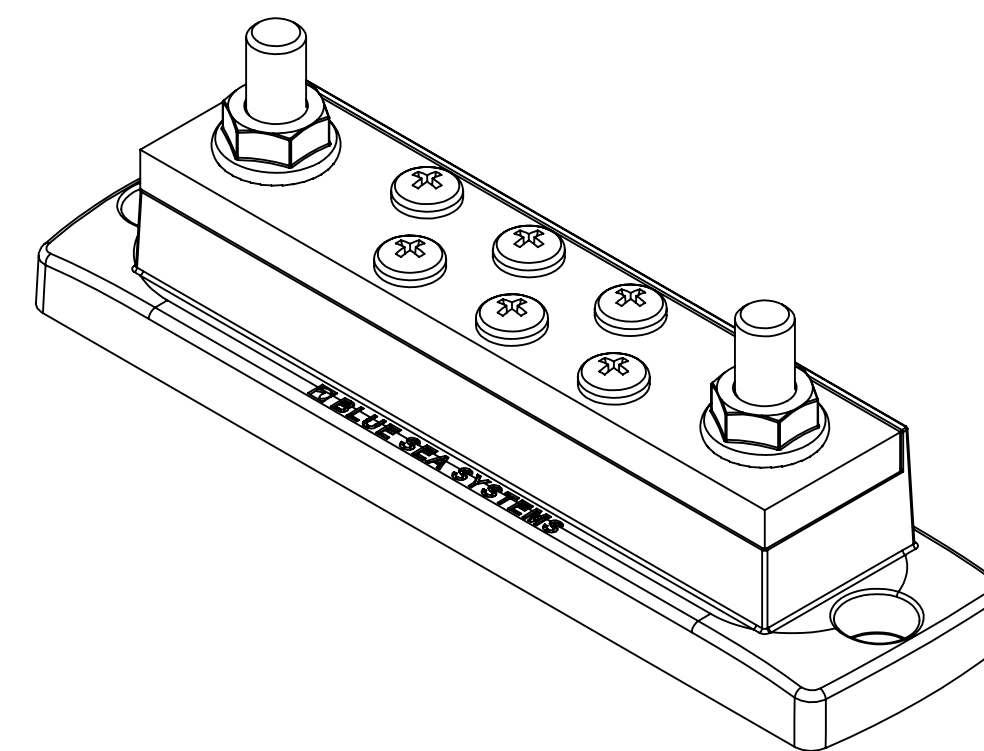
3

2

1

THIS DRAWING AND THE INFORMATION CONTAINED WITHIN IT ARE CONFIDENTIAL AND MAY NOT BE COPIED OR DISCLOSED WITHOUT THE WRITTEN PERMISSION OF BLUE SEA SYSTEMS.

REVISIONS				
ZONE	REV.	DESCRIPTION	DATE	APPROVED
	1	PRODUCTION RELEASE	2012.3.27	S. SCHANKEN
	3	UPDATED TO SHOW SERRATED FLANGE NUTS	2015.8.31	S. SCHANKEN
	3	REMOVE TOLERANCE BLOCK, REFERENCE DIMENSIONS, CUSTOMER DRAWING	2023.04.13	T.DYKAS



NAME	DATE	<p>425 Sequoia Drive Bellingham, WA 98226 Phone (360)738-6230 Fax (360)734-4195</p> <p>CUSTOMER DRAWING MAXibus 6x10-24 x 5/16 Stud Common Part Number 2128</p>
DRAWN T. DYKAS	2011.5.28	
CHECKED J. RAU	2015.8.31	
SIZE	DWG. NO.	REV.
C	2128	3
SCALE 1:1	WEIGHT: --	SHEET 1 OF 1

4

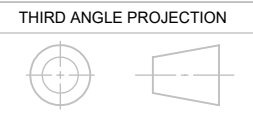
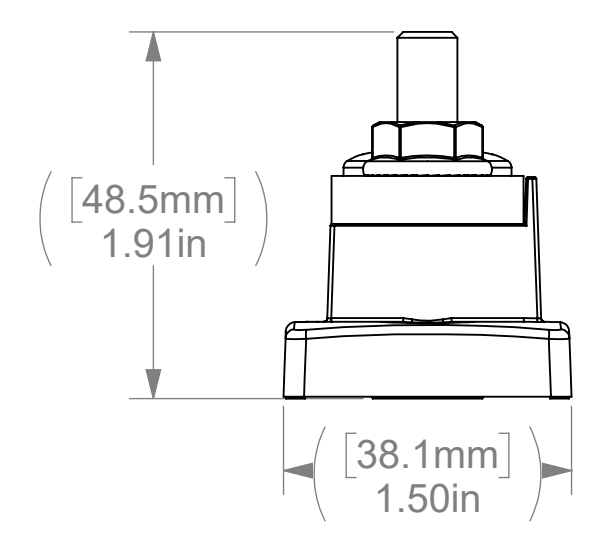
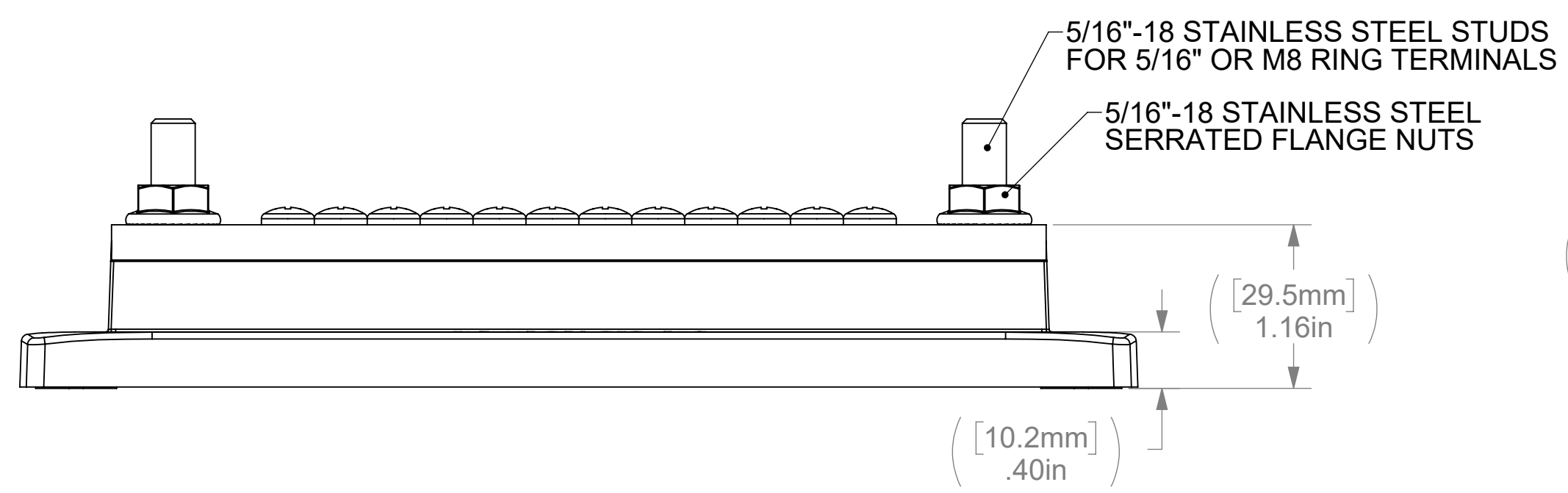
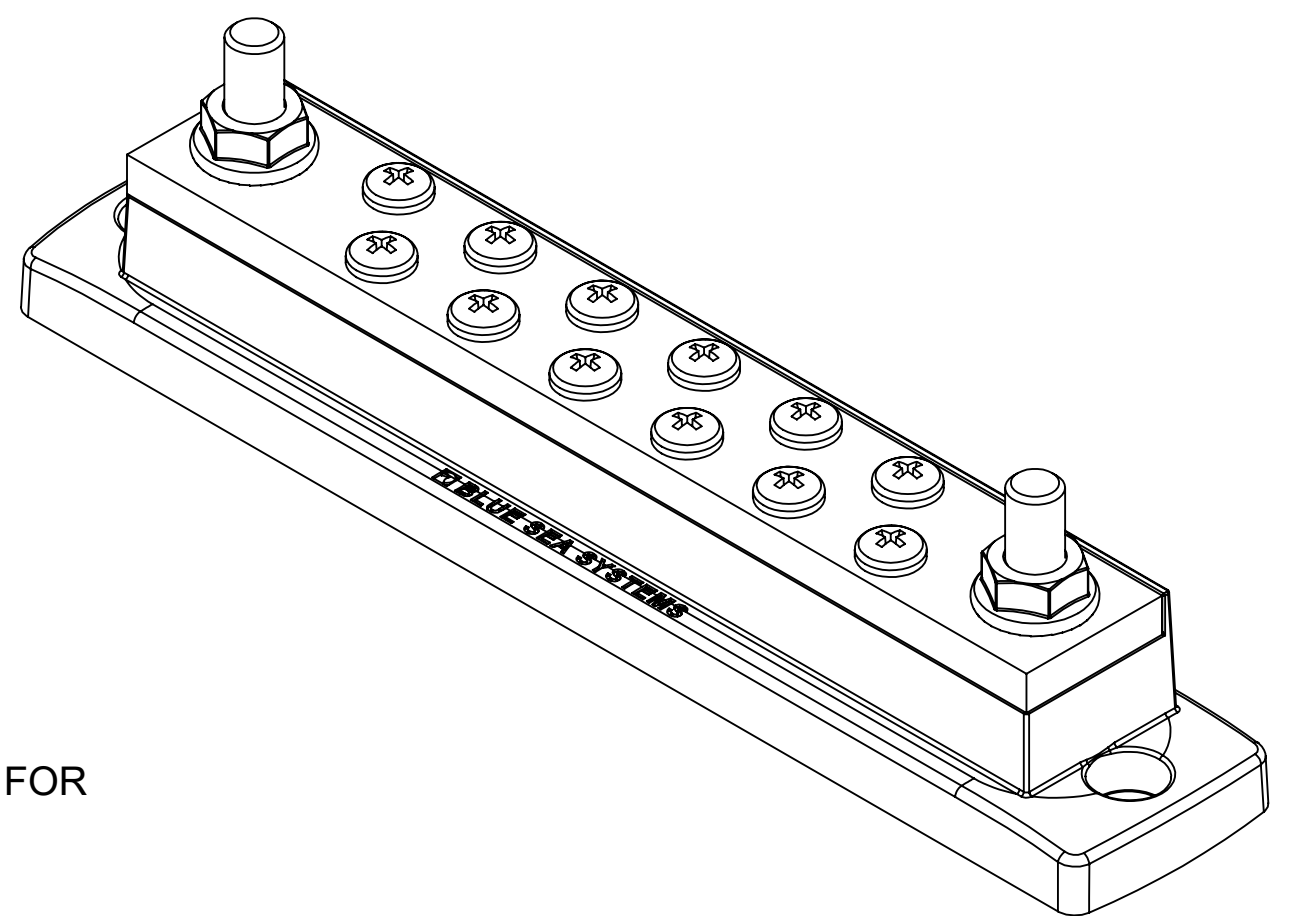
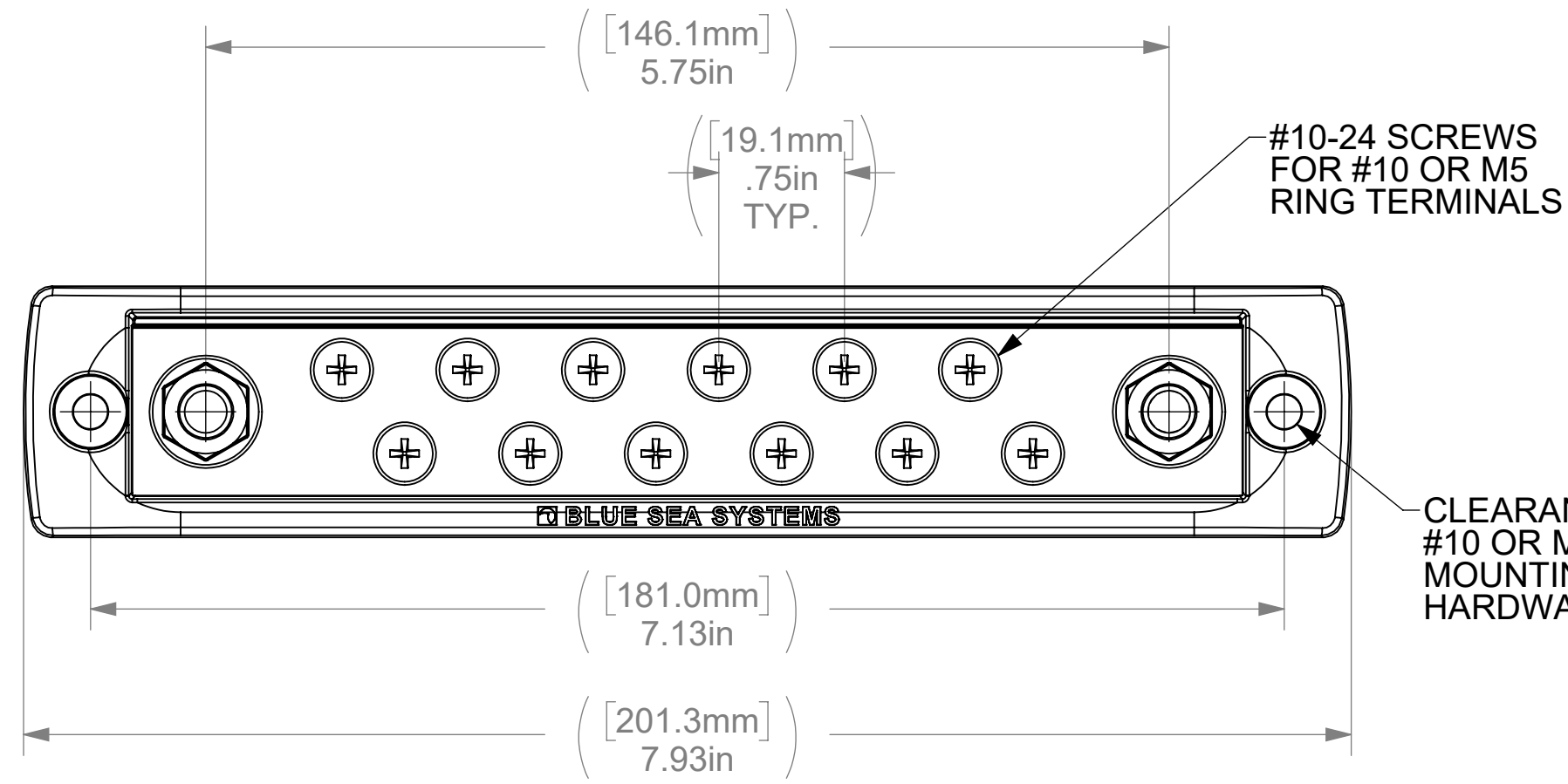
3

2

1

THIS DRAWING AND THE INFORMATION CONTAINED WITHIN IT ARE CONFIDENTIAL AND MAY NOT BE COPIED OR DISCLOSED WITHOUT THE WRITTEN PERMISSION OF BLUE SEA SYSTEMS.

REVISIONS				
ZONE	REV	DESCRIPTION	DATE	APPROVED
	1	PRODUCTION RELEASE	2012.3.27	S. SCHANKEN
	3	UPDATED TO SHOW SERRATED FLANGE NUTS	2015.8.31	S. SCHANKEN
	3	REMOVE TOL BLOCK, REFERENCE DIMENSIONS, "CUSTOMER DRAWING"	2023.04.13	T. DYKAS



NAME	DATE	 425 Sequoia Drive Bellingham, WA 98226 Phone (360)738-8230 Fax (360)734-4195 CUSTOMER DRAWING MaxiBus 12 x 10-24 Common Bus Part Number 2105
DRAWN T. DYKAS	2011.5.28	
CHECKED J. RAU	2015.8.31	
COMMENTS:		SIZE DWG. NO. 2105 REV. 3 SCALE 1:1 WEIGHT: -- SHEET 1 OF 1