

OPTIMUM[™] OPTIMUM[™] TS

ELECTRIC DOWNRIGGERS

Installation Instructions

INTRODUCTION

THANK YOU

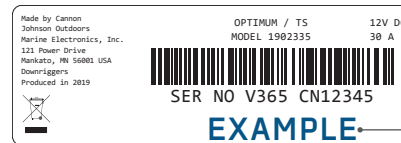
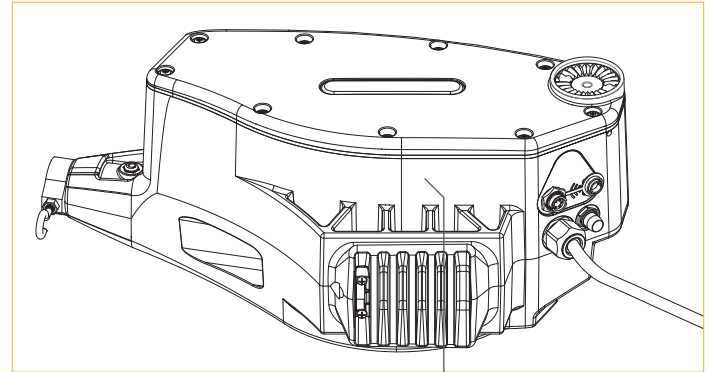
Thank you for purchasing a Cannon downrigger. We have designed your new downrigger to be an accurate and reliable tool that will enhance fishing control and improve your ability to catch fish. We hope that you enjoy the use of your new downrigger and enjoy the benefit of controlled depth fishing for years to come by always following safe boating practices and laws wherever you are fishing.

REGISTRATION

Remember to keep your receipt and immediately register your downrigger. A registration card is included with your downrigger or you may complete registration on-line at cannondownriggers.com.

SERIAL NUMBER

Your Cannon 11-character serial number is very important. It helps to determine the specific model and year of manufacture. When contacting Consumer Service or registering your product, you will need to know your product's serial number. We recommend that you write the serial number down in the space provided below so that you have it available for future reference.



NOTICE: The serial number on your Cannon Optimum downrigger is located on the bottom of the downrigger frame. It can also be found on the About Screen within the Cannon downrigger operating system.

PRODUCT INFORMATION *(For Consumer Reference Only)*

Model: _____

Serial Number: _____

Purchase Date: _____

Store Where Purchased: _____

SAFETY CONSIDERATIONS

Please thoroughly read this user manual. Follow all instructions and heed all safety and cautionary notices below. Use of this downrigger is only permitted for persons that have read and understood these user instructions. Minors may use this product only under adult supervision. Save these instructions.

WARNING

You are responsible for the safe and prudent operation of your vessel. We have designed your Cannon product to be an accurate and reliable tool that will enhance boat operation and improve your ability to catch fish. This product does not relieve you from the responsibility for safe operation of your boat. You must avoid hazards to navigation and always maintain a permanent watch so you can respond to situations as they develop. You must always be prepared to regain manual control of your boat. Learn to operate your Cannon product in an area free from hazards and obstacles.

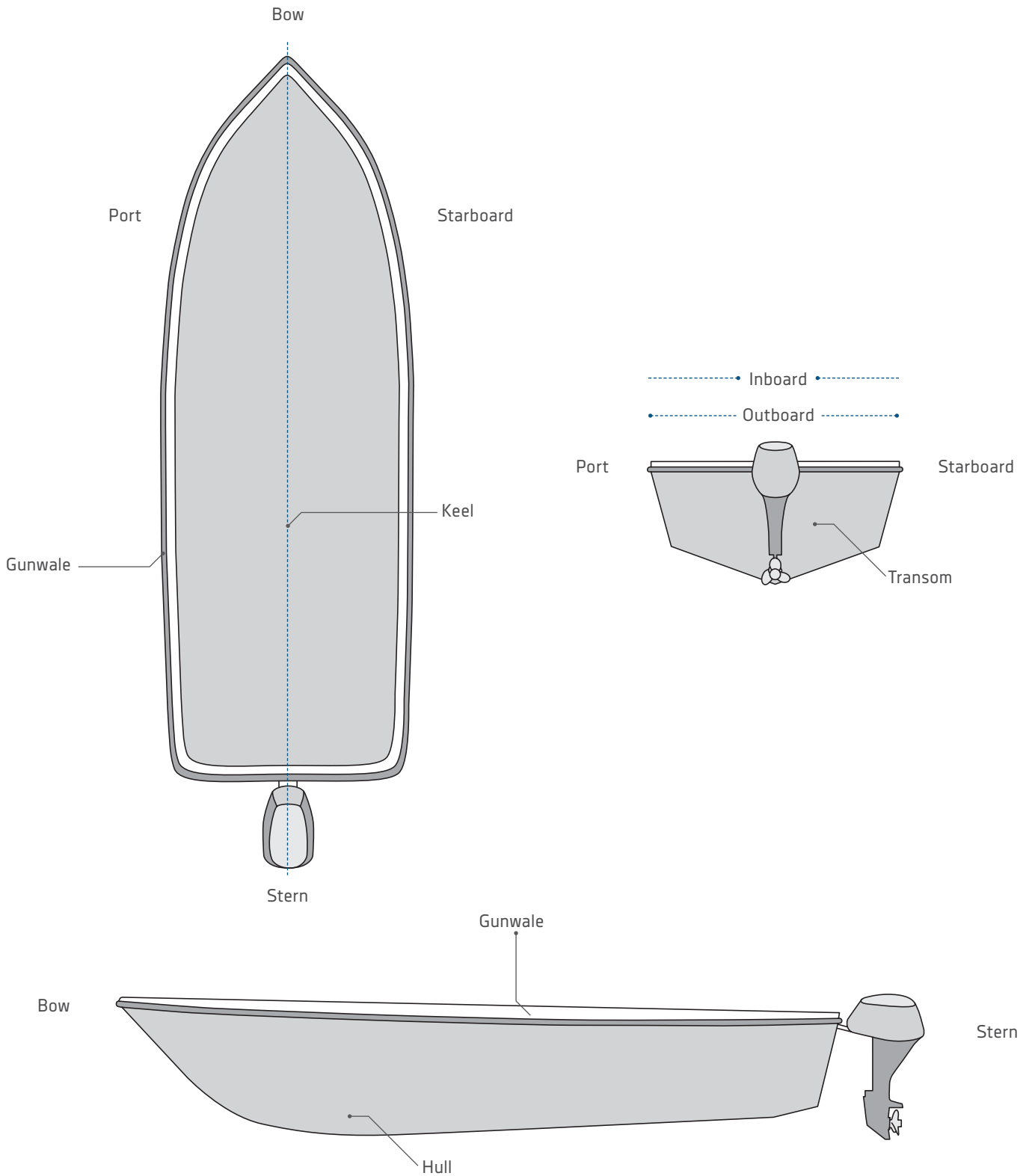
WARNING

It is recommended to only use Johnson Outdoors approved accessories with your Cannon. Using non-approved accessories including those used to mount or control your product may cause damage, unexpected operation and injury. Be sure to use the product and all approved accessories, including remotes and/or devices, safely and in a manner directed to avoid accidental or unexpected operation. Keep all factory installed parts in place including motor, electronic and accessory covers, enclosures and guards. Failure to adhere to this warning may affect your warranty.

WARNING

Do not touch the Spool/Reel while the downrigger is in use. Holding or touching it may result in moderate to severe injuries.

KNOW YOUR BOAT



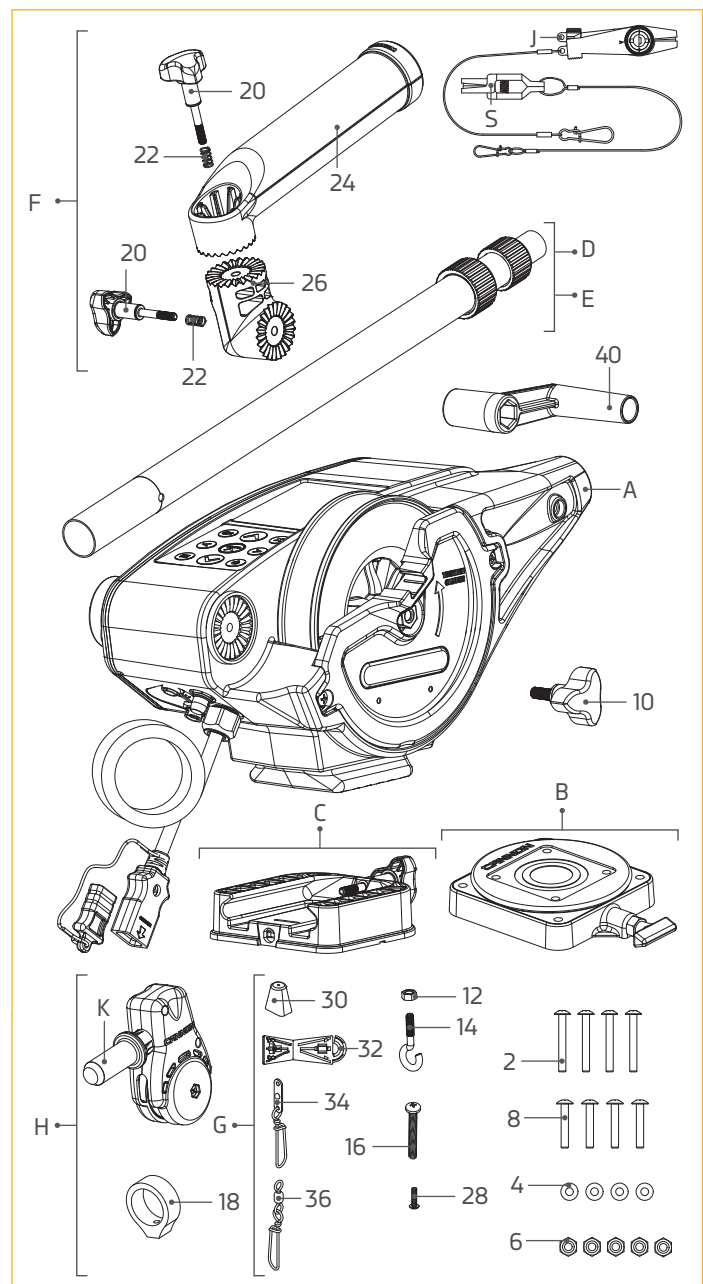
INSTALLATION

INSTALLING THE OPTIMUM™

Your new Cannon Optimum comes with the hardware you'll need to directly install it to the boat. Cannon recommends mounting your downrigger using a deck plate and also offers a variety of accessories to customize your installation. Read these installation instructions to learn more and visit cannondownriggers.com for a full list of accessories. To install the downrigger directly to the boat, please follow the instructions provided in this manual. Please review the parts list, mounting considerations and tools needed for installation prior to getting started. For additional product support, please visit cannondownriggers.com.

INSTALLATION PARTS LIST

Item / Assembly	Part #	Description	Qty.
A	✘	CANNON DOWNRIGGER ASSEMBLY	1
B	3991913	CNN ASSY, SWIVEL BASE	1
C	3991930	ASSY-CNN, MNT BASE	1
D	3392010 ◆	ASSY, BOOM TELESCOPIC, SS *TS*	1
E	2210821	ASY BOOM TELESCOPIC	1
F	3991904 ✚	ASSY-CNN, ROD HOLDER	1/2
G	3994807	ASSY-BAG, DT PRO/MAG ST	1
H	3994815	BAG ASSY, BOOM END	1
J	2277002	ASY HDW RELEASE UNIVERSAL	2
S	2200109 ◆	SALTWATER RELEASE, OR8 BE *TS*	2
2	9280720	HDW SCR 1/4 20X2 TRUSS HD PHIL	4
4	2371712	WASHER-FLAT 9/32 X 5/8 X 1/16	4
6	2263103	NUT-1/4-20 NYLOCK SS	5
8	9280713	HDW SCR 1/4 20X1 1/2 TRUSS HEA	4
10	3390103	KNOB, SOFT GRIP, CLUTCH	1
12	2263102	NUT-HEX 1/4-20 SS 300SRS	1
14	9040040	HDW BOLT 1/4-20 ROLLEDTHD HOOK	1
16	3393461	SCREW-1/4-20 x 2" SS, PPH	1
18	3397900	BALL HOOK EXTRUSION	1
20	3390101	KNOB-CANNON, SOFT GRIP	2/4
22	2287002	HDW SPRING RELEASE PIN	2/4
24	3392033	TUBE, DUAL AXIS RD HLDR	1/2
26	3394200	ARM, DUAL AXIS-ROD HLDR	1/2
28	2372100	SCREW-#8-18 X 5/8 THD* (SS)	1
30	9100101	CUSHION SLEEVE TERMINATOR	1
32	9100100	CON TERMINATOR	1
34	2200148	ASY SNAP & INSULATOR	1
36	9100620	HDW SNAP SWIVEL 4/0-37 MARLIN	1
K	3990200	ASSY-CNN, BOOM END	1
40	3390910	HANDLE-CRANK, MANUAL	1
42	3397138 ▲	INSTRCT, INSTALL, OPTIMUM	1
44	3397139 ▲	MANUAL DISCLAIMER DWNLOAD INFO	1
46	3397150 ▲	QUICK REF. GUIDE, OPTIMUM	1



▲ Not shown on Parts Diagram.

✘ This part is included in an assembly and cannot be ordered individually.

✚ Only one assembly is available with the tournament Cannon Optimum TS.

◆ Only available with the Optimum TS series downrigger.

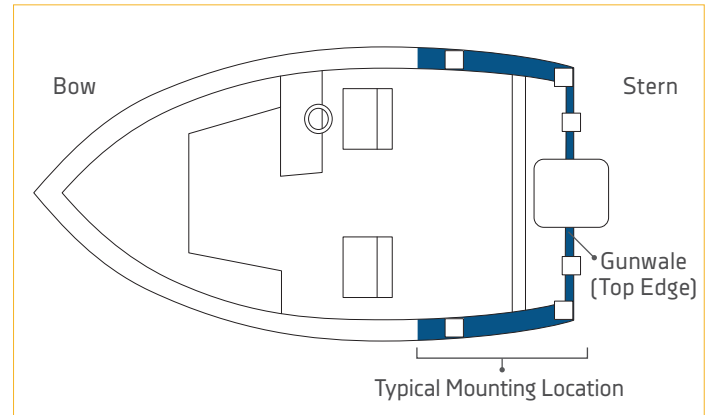
INSTALLING THE OPTIMUM



MOUNTING CONSIDERATIONS

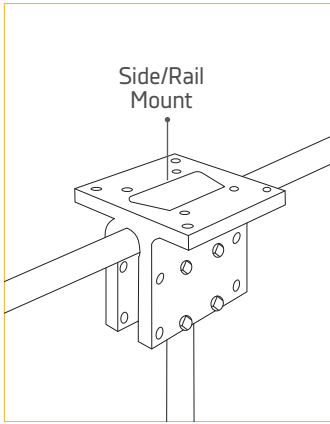
Before mounting a Cannon downrigger, please give consideration to the following:

- 1. Clear mounting location** - Choose a good location on your boat to mount your downrigger. Downriggers are mounted to the Gunwale of the boat. Make sure the area under the mounting location is clear to drill holes and install nuts and washers. Make sure that the mounting location is free from cables or wiring and other critical boat structures. The movable parts of the downrigger, such as the telescopic boom should be positioned so that the weight is far enough beyond the edge of the boat so that it and the downrigger will not encounter any obstructions during operation. In some cases, the profile of the Gunwale is raised which may prevent the downrigger from sitting all the way against the face of the Gunwale. It may be necessary to shim or cut away around these areas to securely complete the installation. Mounting accessories are recommended to accommodate difference in mounting locations and mounting situations.
- 2. Operation of the downrigger** - Consider the operation of the downrigger at the selected mounting location. A downrigger should be mounted in a location where it is easy to observe your fishing rod and react quickly to operate the downrigger once there is a fish on the line. There should be enough space to use the downrigger comfortably and with proper ergonomics. It should be easy to reach while still maintaining control of the boat and to retrieve gear. The location of the telescopic boom, weight and rod holder when fully installed should not encounter obstructions. The power cables should reach their intended power source from the mounting location. When installing multiple downriggers, consider the spacing between downriggers units. Mount the downrigger in a location where it is easy to route transducer cables and other downrigger accessory cables and wiring, either to a power source or sonar unit. Make sure that the mounting location does not create a tripping hazard for power cables or accessories used during operation.
- 3. Mounting accessories** - Consider the use of a mounting accessory when installing your downrigger. Consider the location and angle of the rod placement when the downrigger is fully installed on the mounting surface. A deck plate is recommended to provide adequate support and to maximize the capability of the product. Cannon offers a complete line of mounting accessories that allow you to optimize your installation to fit the way you fish. Before making any permanent changes to your boat, consider what accessories might be used in your application. To see the complete line of mounting accessories review the variety of accessories explained in this document or visit cannondownriggers.com.



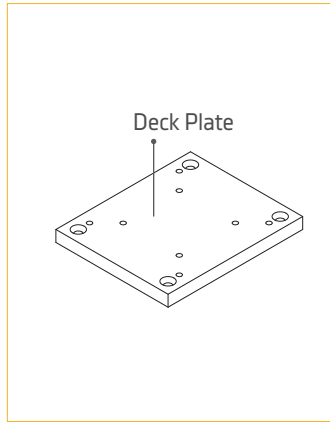
NOTICE: When using the telescopic boom, we strongly recommend the use of a deck plate on all boats to provide adequate stability for the downrigger.

INSTALLING THE OPTIMUM



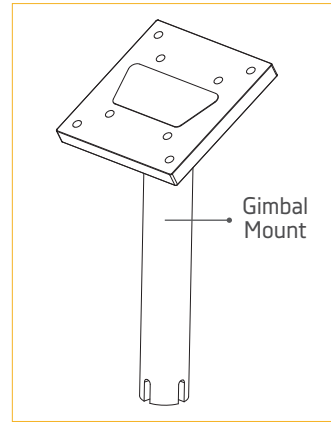
SIDE/RAIL MOUNTS

Can be mounted to a welded T-section. Side/Rail Mounts (*Item No. 2250940*) can also be used at the two rail section butt joint. In both installations it is recommended to use a non-slip material, such as rubber or a thin wood sheet, between metal surfaces.



DECK PLATES

Canon deck plates prevent deflection and add stability to decks. Recommended for attaching the downrigger for initial installation or for mounting accessories. They are necessary to add extra strength to the base material of the boat. Options include Deck Plate (*Item No. 2200693*).



GIMBAL MOUNTS

Designed to fit medium-sized flush mounted rod holders built into the gunwale of larger fishing boats and cruisers. Only sturdy, high quality rod holders should be used for this temporary mounting system. Gimbal mounts are available in 9" or 12" post lengths with Standard (*Item No. 2250927 and 2250928*) and Stainless Steel options (*Item No. 1903005 and 1903006*).

TOOLS AND RESOURCES REQUIRED

- 9/32" Drill Bit
- Pencil, Marker or similar Marking Tool
- Drill
- 7/16" Box End Wrench
- Wire Cutters
- Pliers
- #3 Phillips Screw Driver
- Needle Nose Pliers
- Masking tape
- Anti-seize
- A second person to help with the installation

INSTALLING THE BASE

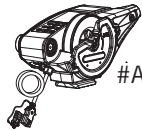


INSTALLATION

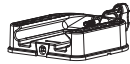
INSTALLING THE BASE >

1

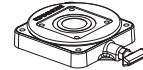
Item(s) needed:



#A x 1



#C x 1



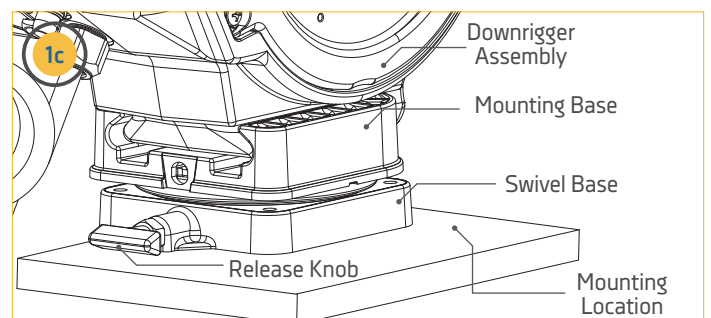
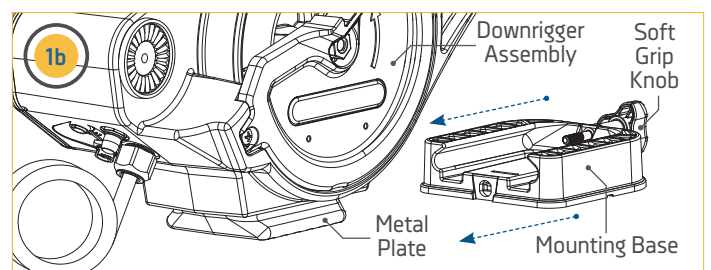
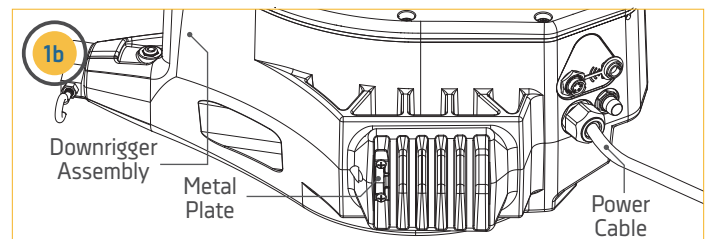
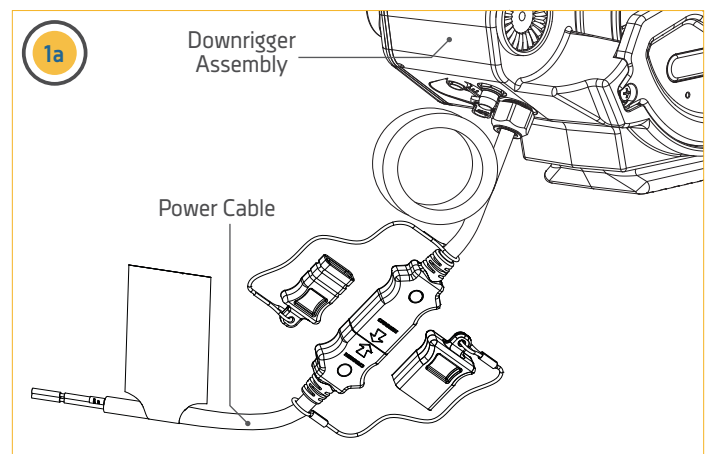
#B x 1

- a. Review the mounting considerations at the beginning of the installation and select a mounting location. Make sure the downrigger is not connected to a power source.

WARNING

Make sure the downrigger is not connected to a power source.

- b. Take the Mounting Base (Assembly #C) and attach it to the Downrigger Assembly (Assembly #A). The Mounting Base is keyed with the bottom of the Downrigger Assembly. The Soft Grip Knob on the Mounting Base screws into a metal plate on the bottom of the Downrigger Assembly. Secure the Mounting Base to the Downrigger Assembly so that the Soft Grip Knob is in the correct position.
- c. In the final Installation, the Mounting Base is installed on the Swivel Base (Assembly #B). If desired, hold the Downrigger Assembly (Assembly #A) with the Swivel Base at the selected mounting location to check fit and function. Use a second person to help with the installation and test to make sure that the downrigger will operate as desired.
- d. Determine if a mounting accessory, such as a recommended deck plate is needed. Refer to the installation instructions included with any mounting accessory and then complete the downrigger installation.



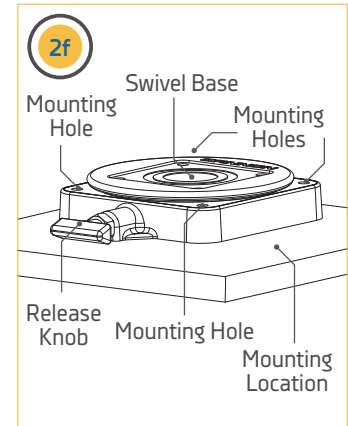
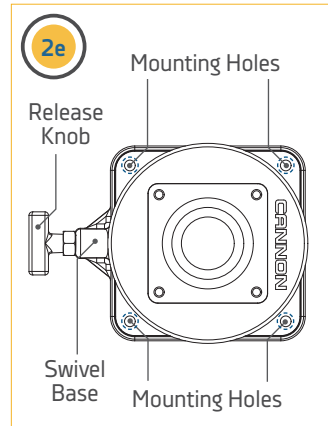
NOTICE: This downrigger weighs approximately 19 lbs. We recommend having a second person help with the installation.

NOTICE: The Release Knob on the Swivel Base can face any direction for your final installation.

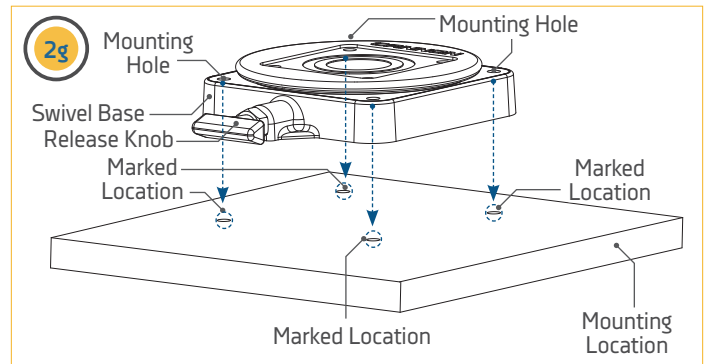
INSTALLING THE BASE

2

- e. Once satisfied with the selected location, begin by using the Swivel Base as a mounting template.
- f. Take the Swivel Base and place it at the desired location. Make sure that the Release Knob is orientated in the desired direction and the mounting location is clear to drill holes and can accommodate mounting hardware.
- g. With the Swivel Base in place, use a pencil, marker, or similar marking tool to mark the location of the 4 mounting holes on the mounting location.

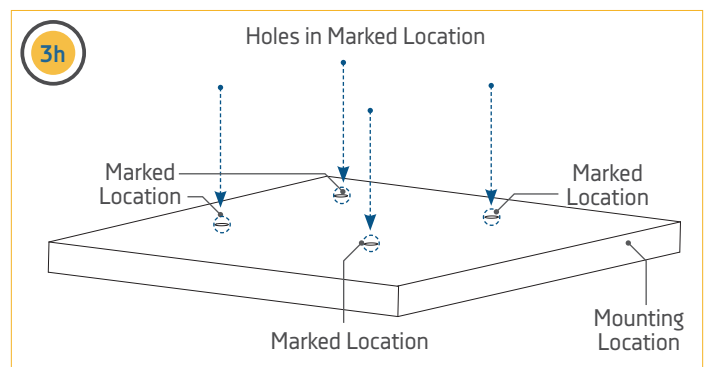


NOTICE: When drilling holes, it is helpful to first cover the surface with masking tape. This will help keep the boat surface unmarked and help with cleanup. Cover the surface and then mark the location to drill. Once the pilot holes are drilled remove the masking tape before continuing installation.

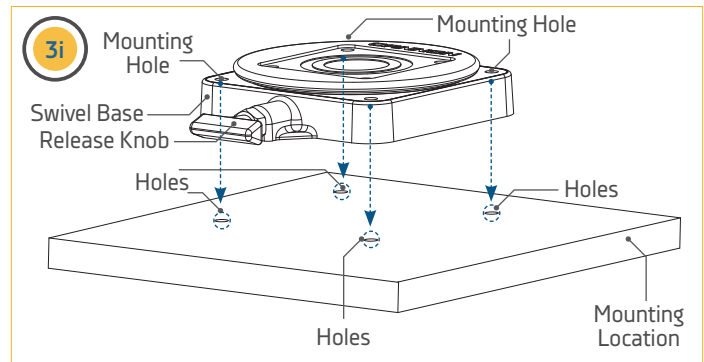


3

- h. With the location marked, set the Swivel Base aside and drill holes, one in each of the four marked locations using a Drill with a 9/32" Drill Bit.
- i. Return the Swivel Base to the mounting location and align it with the four drilled holes. Orientate it back in the desired direction so the mounting holes in the Swivel Base align with the drilled holes in the mounting location and the Release Knob in the desired direction.



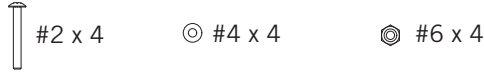
NOTICE: Mounting the Swivel Base is optional. If it is preferred to use the Mounting Base only, use the mounting base as a template for drilling holes. To secure the Mounting Base to the deck use four 1/4-20 X 2" Phillips Truss Head Machine Screws (Item # 2) four Flat Washers (Item #4) and four 1/4-20 Nylock Nuts (Item # 6).



INSTALLING THE BASE

4

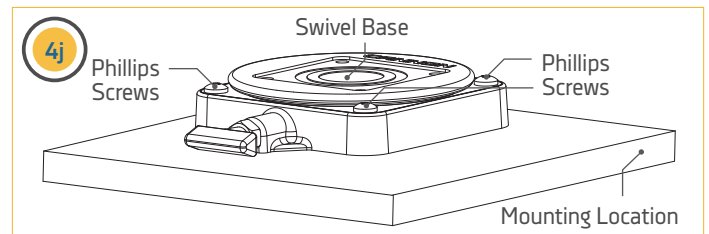
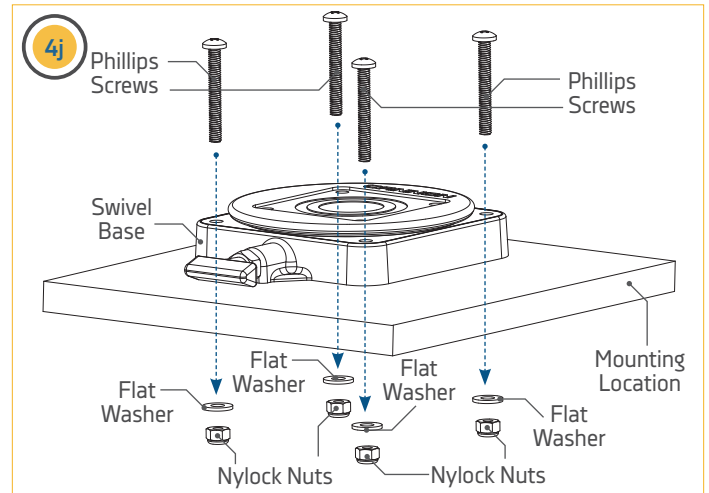
Item(s) needed:



- j. Take four of the 1/4-20 X 2" Phillips Truss Head Machine Screws (Item # 2) and apply anti-seize. Then place one in each of the Mounting Holes. The Truss Screws should pass through the Swivel Base and the drilled holes in the mounting location.
- k. Secure the Truss Screws in place with four Flat Washers (Item #4) and four 1/4-20 Nylock Nuts (Item # 6). Take one Flat Washer and place it on the end of each Truss Screw. Secure each Truss Screw and Flat Washer with Nylock Nuts using a #3 Phillips Screwdriver. Hand tighten, or tighten to 45 ft-lbs. To prevent seizing of the stainless steel hardware, do not use high speed installation tools.

NOTICE: To prevent seizing of the stainless steel hardware, do not use high speed installation tools. Wetting the screws or applying an anti-seize may help prevent seizing.

NOTICE: Consider installing an optional Cannon Lock on the Mounting Base for added security. (Item No. 1903020)

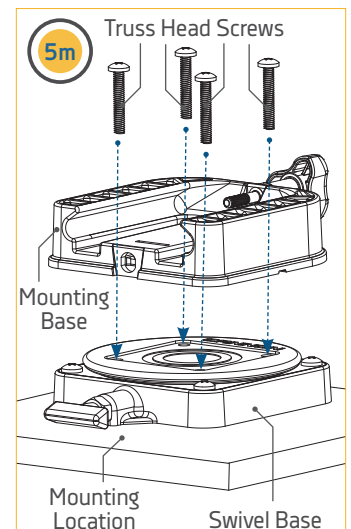
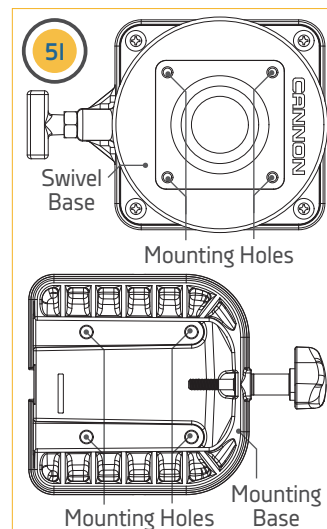


5

Item(s) needed:



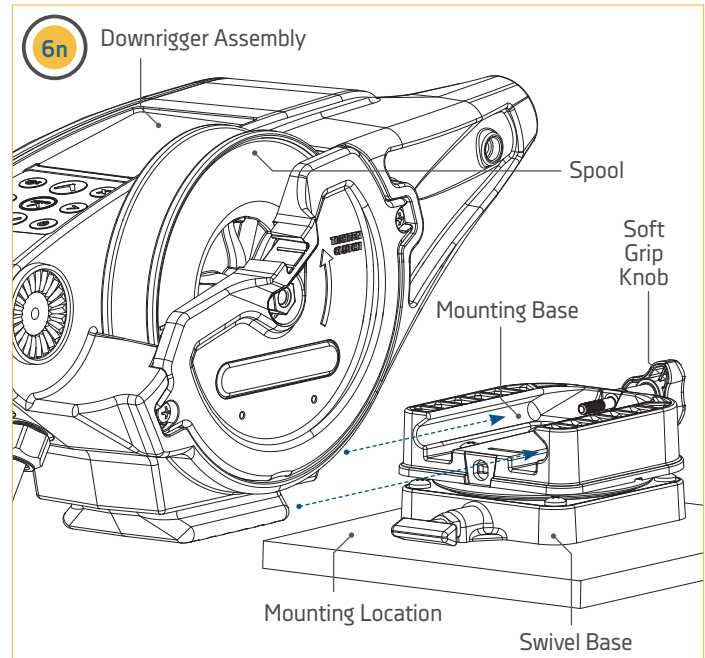
- l. The Mounting Base will be installed to the Swivel Base. At the beginning of the installation, the Mounting Base was attached to the Downrigger Assembly. Recall the orientation of the Soft Grip Knob and the orientation of the Downrigger Assembly in its intended installation position.
- m. Remove the Mounting Base from the Downrigger Assembly and place it back on the Swivel Base in the same orientation. The mounting holes in the corners of both the Swivel Base and Mounting Base should align. Take four of the 1/4-20 X 1 1/2" Truss Head Screws (Item # 8) and use them to secure the Mounting Base to the Swivel Base using a Phillips screwdriver.



INSTALLING THE CLUTCH KNOB

6

- n. Once the bases are secured together, replace the Downrigger Assembly on the Mounting Base and secure it with the Soft Grip Knob. Hand tighten.



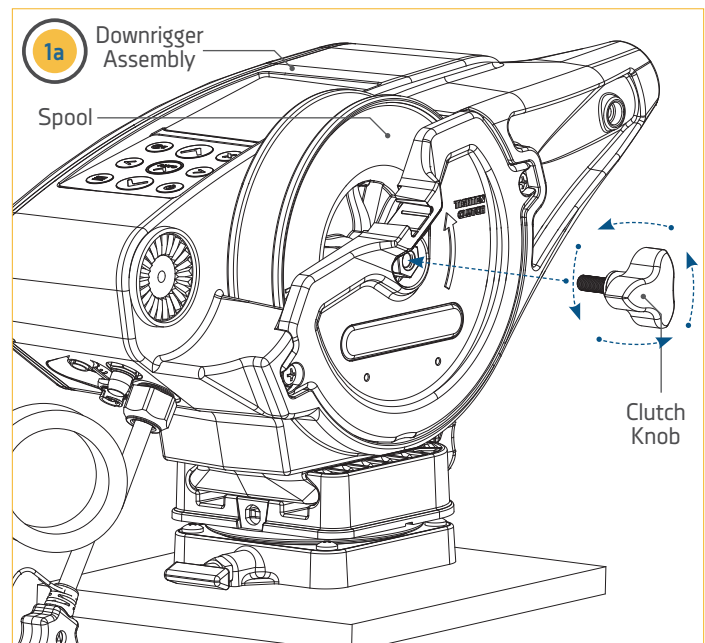
INSTALLING THE CLUTCH KNOB >

1

Item(s) needed:



- a. Take the Clutch Knob (Item #10) and install it into the side of the Downrigger Assembly. The Clutch Knob is installed on the side of the downrigger where the Spool is located. When installing the Clutch Knob, insert it into the center of the downrigger spool and turn it counterclockwise to tighten.



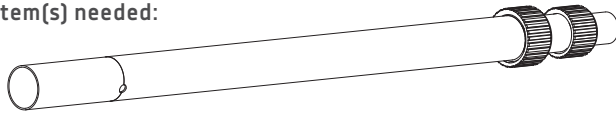
INSTALLING THE TELESCOPIC BOOM



INSTALLING THE TELESCOPIC BOOM >

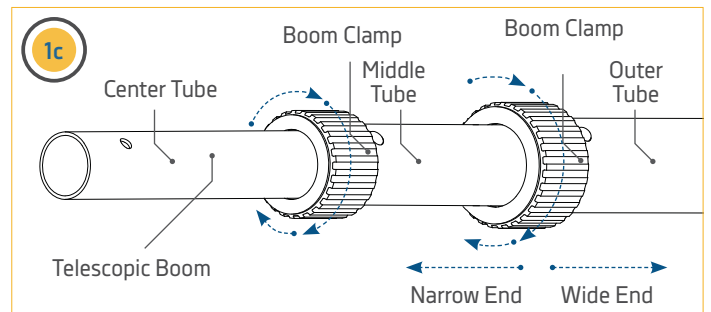
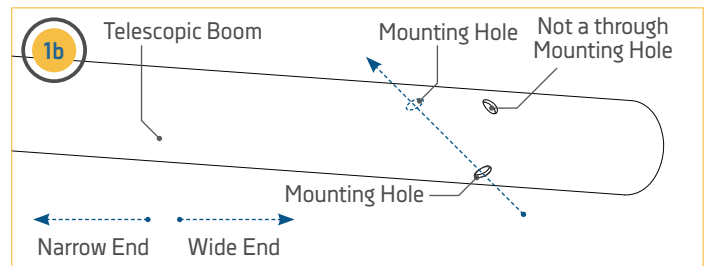
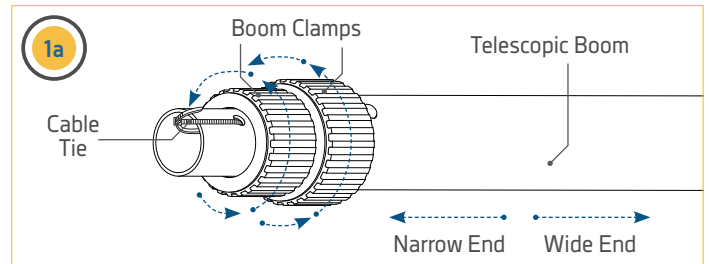
1

Item(s) needed:



#D x 1 or #E x 1

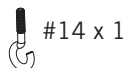
- Take the Telescopic Boom (Assembly #D or Assembly #E) and cut the Cable Tie holding the three tubes of the boom together with a wire cutter or cutting tool. Remove the cut Cable Tie and loosen the Boom Clamps by turning them counterclockwise at the narrow end of the Telescopic Boom.
- The Outer Tube that makes up the wider end of the Telescopic Boom has 3 holes used for mounting it to the Downrigger Assembly. The tubes in the Telescopic Boom need to be extended so that the holes used to mount the boom to the downrigger are unobstructed and are free to pass a bolt through.
- With the Clamps on the Telescopic Boom loosened, the tubes of the boom can slide apart. Slide the Center Tube about 2 inches out from the original position and then re-tighten the Boom Clamp towards the narrower end of the boom turning clockwise. Slide the Middle Tube about 2 inches out from its original position and tighten the second clamp. Check the opposite end of the boom to see if all three holes on the Outer Tube are clear to pass mounting hardware. If not, re-adjust the Boom Clamps and tubes to expose the mounting holes. Secure the clamps by turning them clockwise so that the tubes do not slide, then set aside.



2

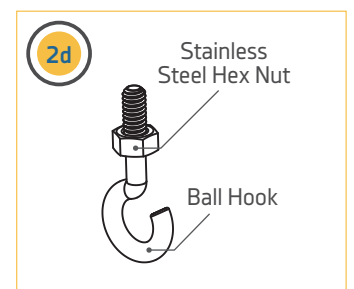
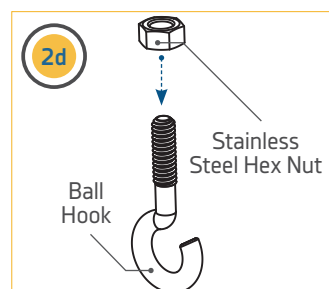
Item(s) needed:

#12 x 1



#14 x 1

- Take the Ball Hook (Item #14) and place the Stainless Steel Hex Nut (Item #12) on it. Turn the Hex Nut far onto the Ball Hook, nearly to the end of the threads. Set the Ball Hook Assembly aside.



INSTALLING THE TELESCOPIC BOOM

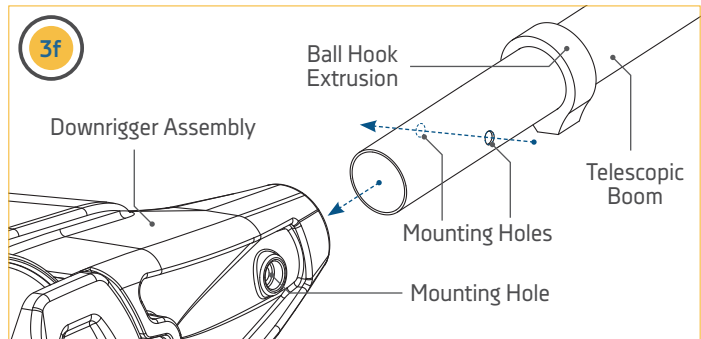
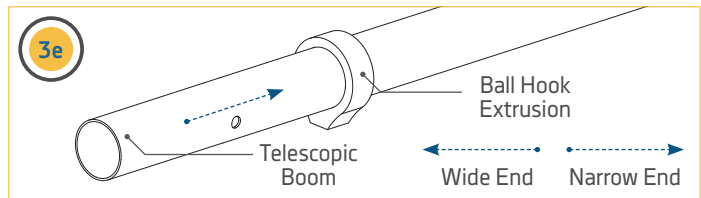
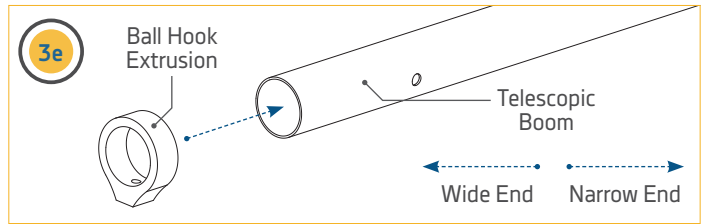
3

Item(s) needed:



- e. Take the Ball Hook Extrusion (Item #18) and place it over the wider end of the Telescopic Boom, opposite the Clamps. At this point on the installation, the Ball Hook Extrusion will slide freely on the Telescopic Boom.
- f. Take the Telescopic Boom with the Ball Hook Extrusion and note the location of the three holes on the wide end of the boom. The two holes across from each other will be used to secure it to the Downrigger Assembly. The two holes are aligned so that hardware can pass straight through to secure it to the Downrigger Assembly. Place it into the end of the Downrigger Assembly and rotate the holes so that the mounting holes in the Boom Assembly are aligned with the mounting holes in the Downrigger Assembly.

NOTICE: If preferred, rotate the Boom Assembly so that the plastic protrusion toward the Narrow End of the boom, next to the Boom Clamp, is rotated downward. This is a cosmetic preference and will not affect the operation of the Boom.

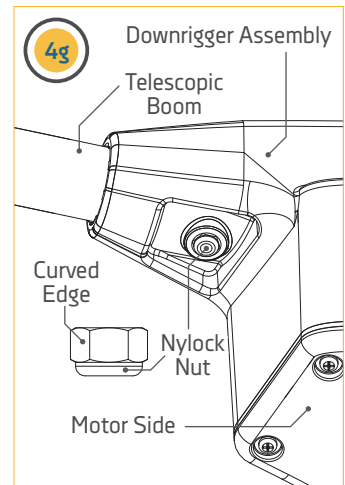
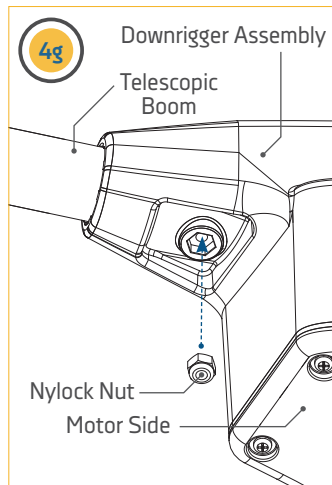


4

Item(s) needed:



- g. The Boom Assembly will be held in place with a Screw and Hex Nut. On the back side of the Downrigger Assembly, on the Motor Side, is a keyed impression for the Nylock Nut. Take the Nylock Nut (Item #6) and press it into the Motor Side of the downrigger, opposite of the Spool Side. The Nylock Nut should be pressed in with the Curved Edge of the Nylock Nut facing outward.



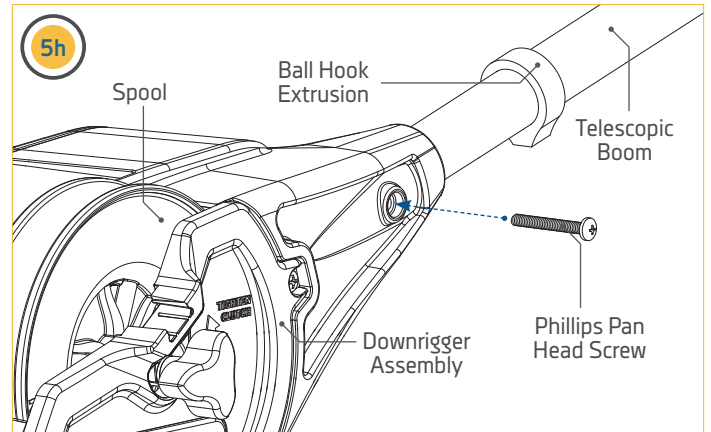
INSTALLING THE TELESCOPIC BOOM

5

Item(s) needed:



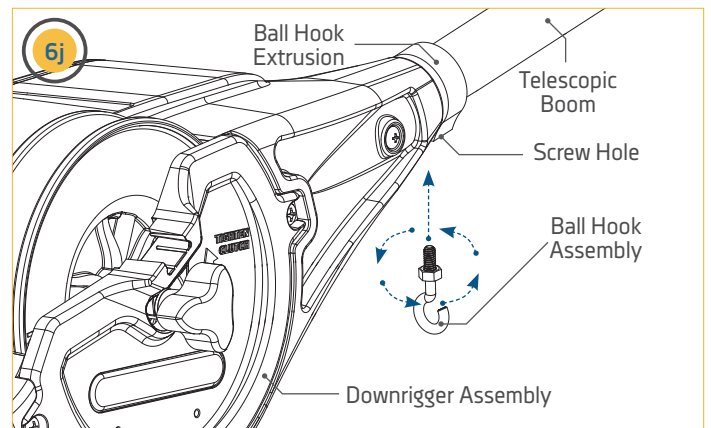
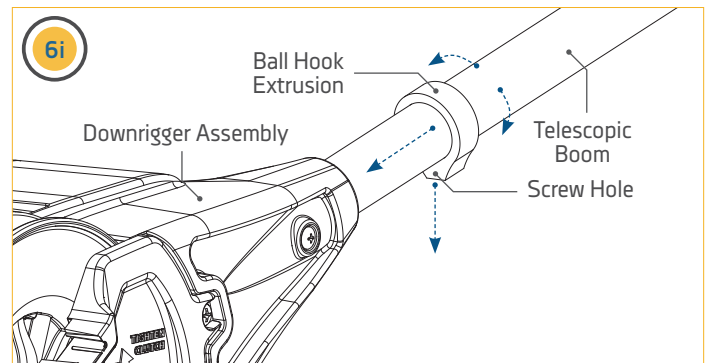
- h. The 1/4-20 X 2" Phillips Pan Head Screw (Item #16) will be used to secure the Telescopic Boom to the Downrigger Assembly. The Phillips Pan Head Screw will pass from the spool side of the downrigger to the opposite side of the Downrigger Assembly and through the Boom Assembly. On the Motor Side of the Downrigger Assembly the Phillips Pan Head Screw will be secured into the Hex Nut installed above. Tighten the Phillips Pan Head Screw with a Phillips screwdriver until the end of the bolt is flush with the top of the Nylock Nut on the reverse side of the downrigger.



6

- i. With the Telescopic Boom secured to the Downrigger Assembly, slide the Ball Hook Extrusion down on the boom until it is seated against the Downrigger Assembly. Rotate the Ball Hook Extrusion so that the Screw Hole is facing downward.
- j. Attach the Ball Hook Assembly into the Ball Hook Extrusion and hand tighten it until the Ball Hook Assembly has tightly secured the Ball Hook Extrusion in place on the Telescopic Boom. Turn the Ball Hook until the hook is in the desired orientation, turning clockwise.

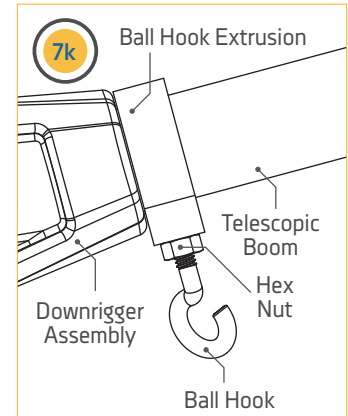
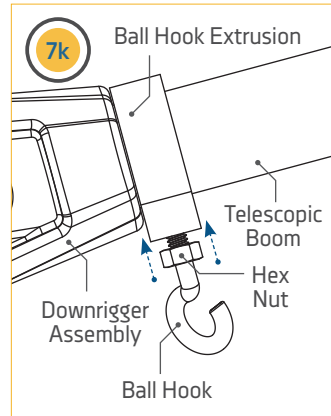
NOTICE: Do not over-tighten the Ball Hook Assembly or denting of the Telescopic Boom is possible.



INSTALLING THE SWIVEL HEAD/BOOM END

7

- k. Secure the orientation of the Ball Hook by turning the Hex Nut on the Ball Hook Assembly until it is seated tightly against the Ball Hook Extrusion with a 7/16" wrench. Hand tighten until secure.

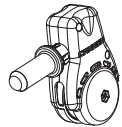


INSTALLING THE SWIVEL HEAD/BOOM END >

1

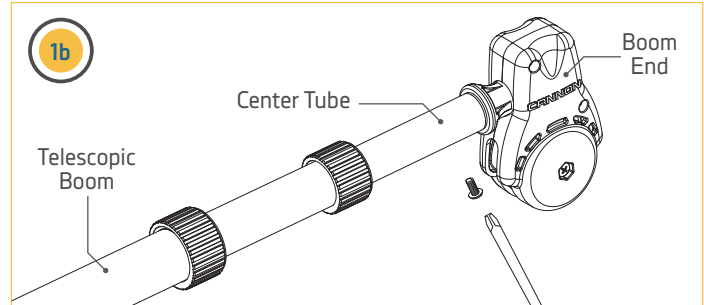
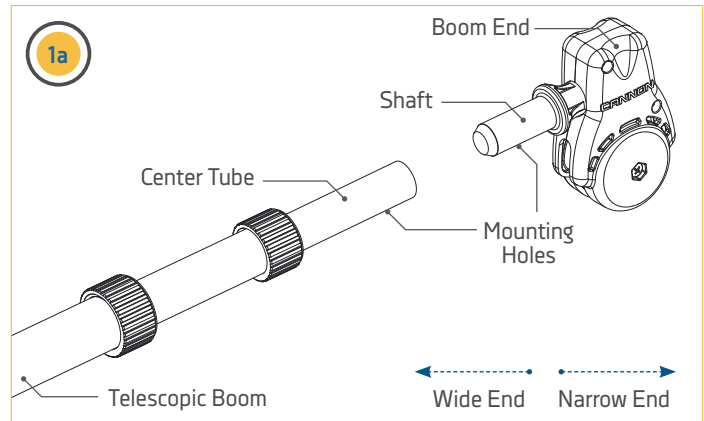
Item(s) needed:

⚓ #28 x 1



#K x 1

- a. Next install the Boom End (Assembly #K) on the end of the Telescopic Boom. Take the Boom End and find the mounting hole along the shaft. The mounting hole in the Shaft of the Boom End should be aligned with the mounting hole in the Center Tube at the narrow end of the Telescopic Boom.
- b. Once aligned, take the #8-18 X 5/8" Screw (Item #28) and insert it into the end of the Boom Assembly. Secure the screw with a Phillips Head screwdriver by turning clockwise.



TERMINATING THE DOWNRIGGER LINE



TERMINATING THE DOWNRIGGER LINE >

With the body of the Cannon downrigger installed, the Line on the Spool can be terminated. The downrigger comes standard with stainless steel Line held in place on the Spool with a Rubber Band. During the termination, it is very important to keep tension on the Line to keep it wound tightly around the Spool. To keep tension on the Spool, the Clutch Knob is first installed and then the Line is routed and terminated. Check to determine that the Clutch Knob was installed by referring to the "Installing the Clutch Knob" section of these instructions. If installed, complete the terminating procedure by following these steps:



To watch a video of Terminating the Cannon Downrigger, follow the link on-line at <https://www.youtube.com/watch?v=sQKp73j3aaw>

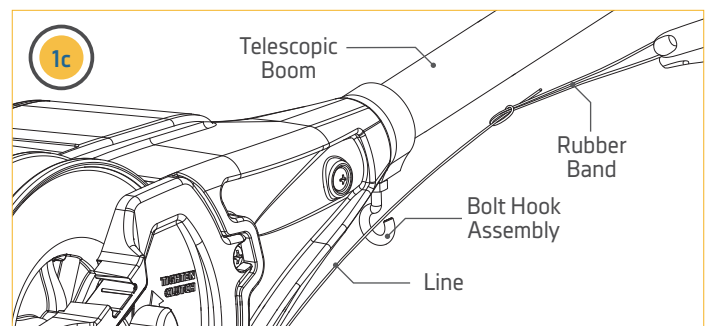
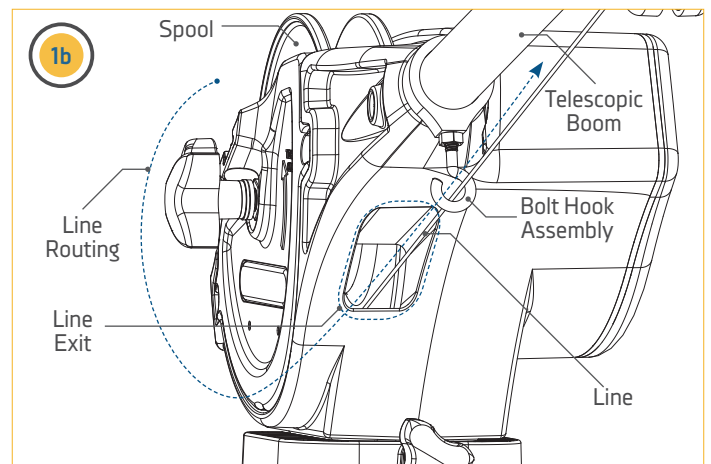
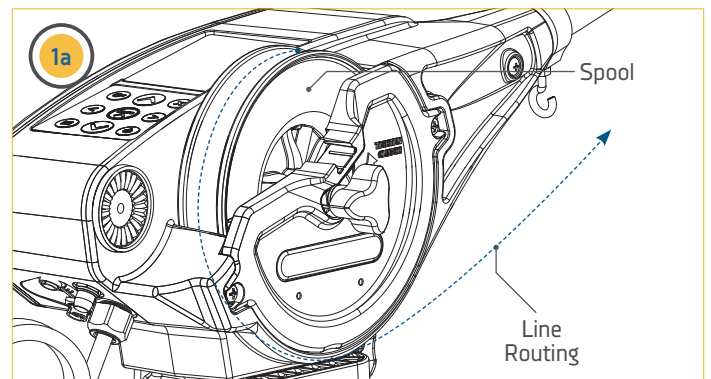
NOTICE: It may be necessary to have a second person help with terminating the Line.

1

- a. Locate the Rubber Band on the Line. The Rubber Band is securing both the end of the Line tight and holding the Line around the Spool. Keep the Rubber Band secured to the end of the Line, but loosen it from the Spool so that tension can be kept on the Line end by pulling on the Rubber Band. Once it is loose from the Spool, keep tension on the end of the Line by holding the Rubber Band tight.
- b. The Line is wound around the Spool in a counterclockwise direction. Work with the end of the Line the Rubber Band is attached to, so that the end of the Line comes out of the downrigger on the bottom side of the Spool below the Telescopic Boom.

NOTICE: While terminating the Line, it is very important to keep tension on the Line to keep it wound tightly around the Spool.

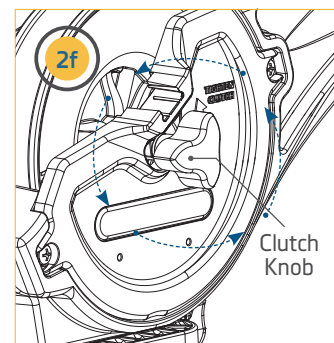
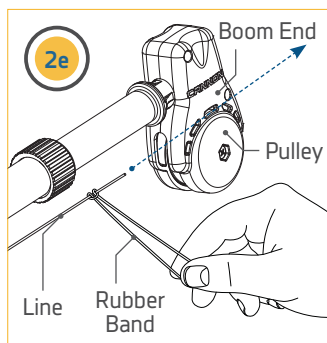
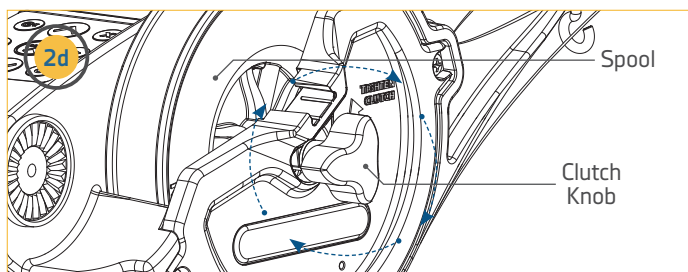
- c. Pull the Line tight by keeping it secure with the Rubber Band. Slide it through the Bolt Hook Assembly.



TERMINATING THE DOWNRIGGER LINE


2

- d. The Clutch Knob holds tension on the Spool. Loosen the Clutch Knob on the side of the downrigger by turning it clockwise while keeping tension on the Line. Pull the Line so that there is enough slack to feed the Line through the Pulley.
- e. Feed the Line through the Pulley on the Boom End so that it exits the Pulley on the far end of the Pulley away from the base of the downrigger. Once it passes through the Pulley, pull approximately 2 feet of Line through the Pulley.
- f. Re-tighten the Clutch Knob by turning it counterclockwise and keep tension on the Line.



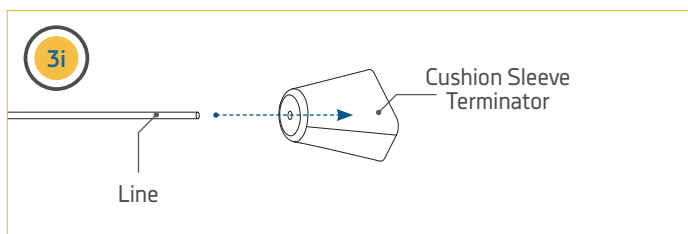
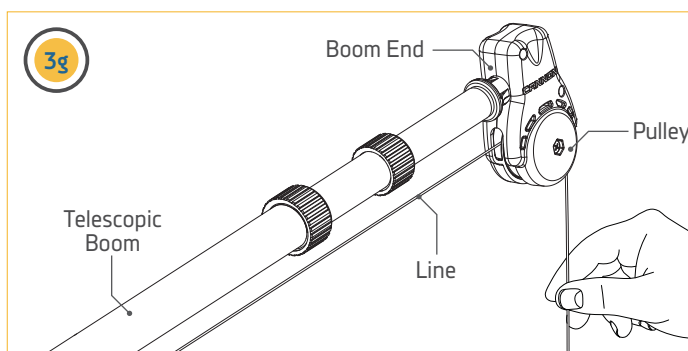
3

Item(s) needed:

 #30 X 1

- g. Have a second person hold the Line just past the downrigger Boom End to keep tension on the Line. Remove the Rubber Band from the end of the Line.
- h. Take a wire cutter and remove any worn or kinked Line.

NOTICE: When routing Line through the Terminator, use only straight Line. Worn or kinked Line can be stressed and may break prematurely when retrieving trolling weights.



- i. Take the Cushion Sleeve Terminator (Item #30) and feed the Line so that the narrower end of the sleeve is threaded first. Thread about a foot of Line through the Cushion Sleeve Terminator.

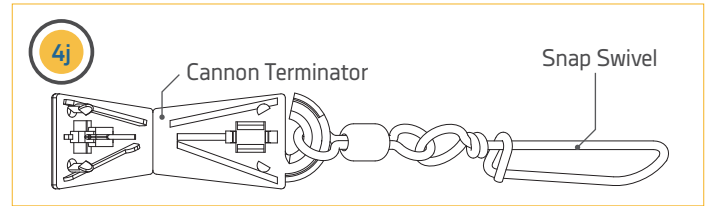
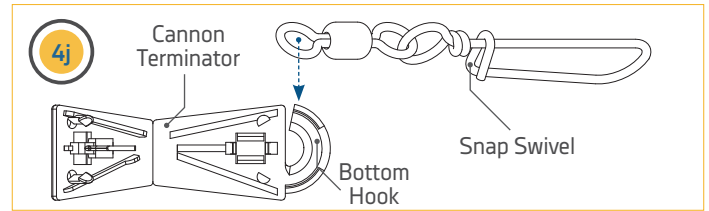
TERMINATING THE DOWNRIGGER LINE

4

Item(s) needed:

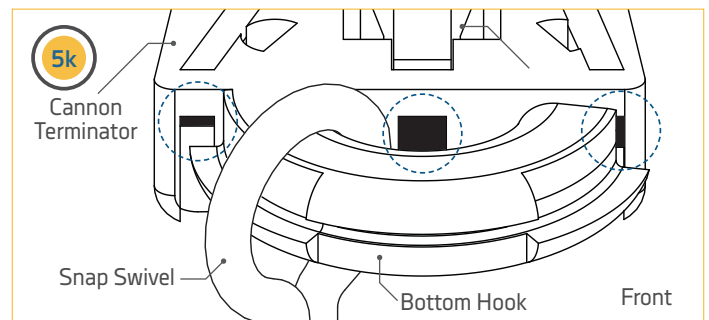
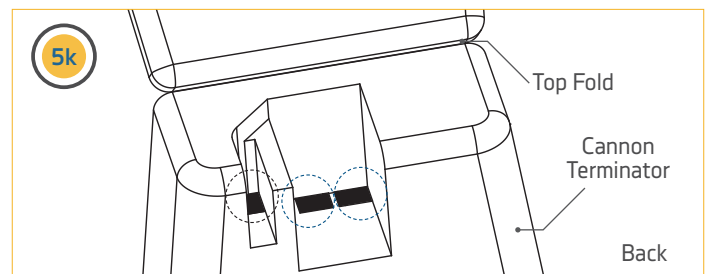
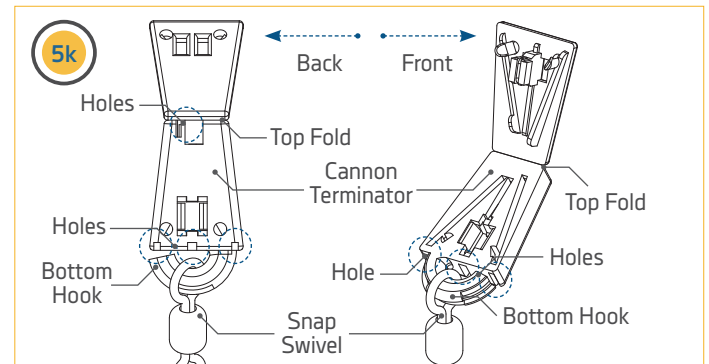


- j. Take the Snap Swivel (Item #36) and attach it to the hook at the bottom of the Cannon Terminator (Item #32). The Snap Swivel can be attached by inserting the end with the smaller metal loop onto the open end of the Bottom Hook on the Terminator. It may be helpful to use a pliers to link the pieces together.



5

- k. With the Snap Swivel attached to the Cannon Terminator, identify the front and back of the Terminator. Also look at the holes along the Top Fold and Bottom Hook of the Terminator. There are three holes along the Bottom Hook of the Terminator, one on each side of the hook and one in the middle. There are also 3 holes along the Top Fold all in close proximity to each other. The Line from the downrigger will be routed through the holes to terminate it.

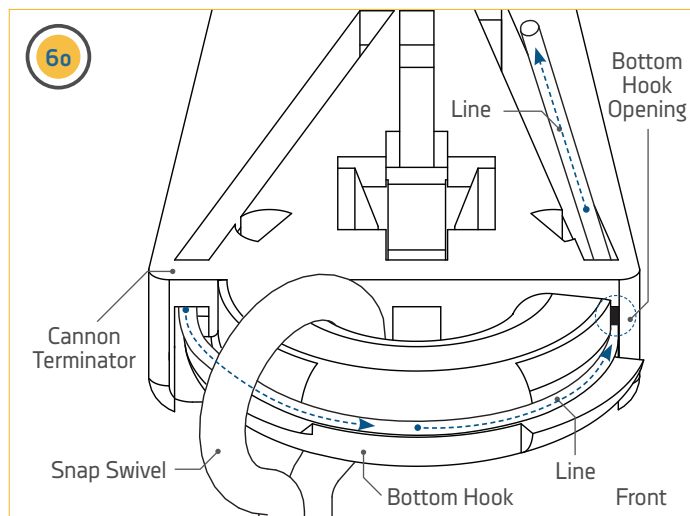
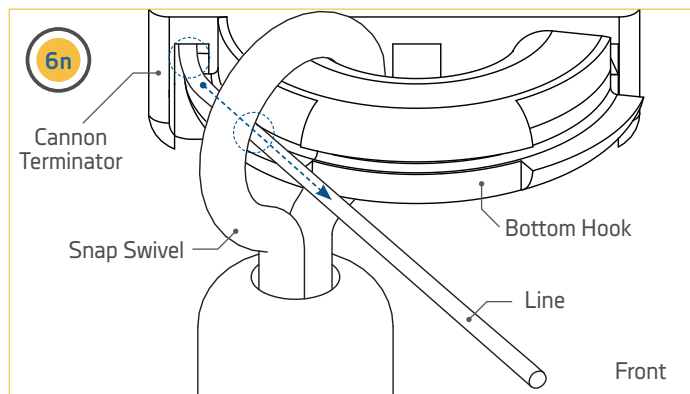
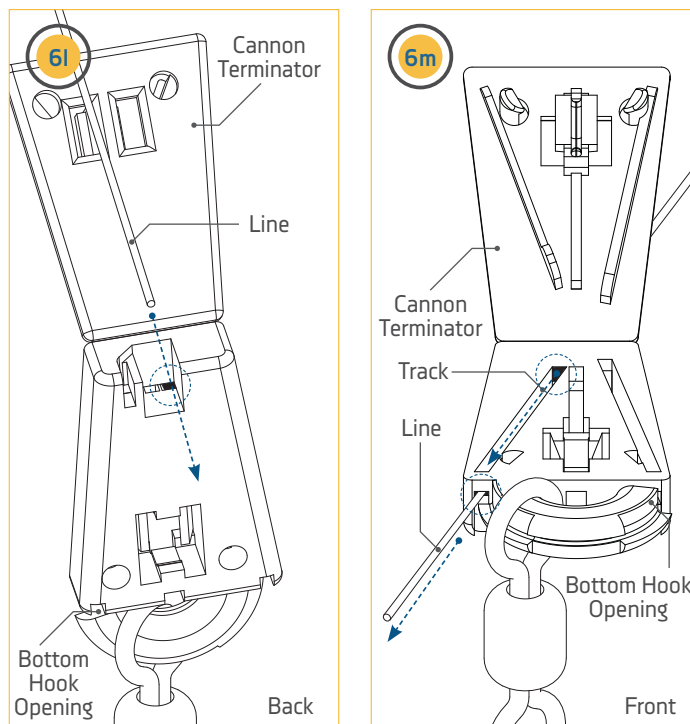


TERMINATING THE DOWNRIGGER LINE

6

- l. Turn the Terminator so that back side is facing toward you. The opening to the Bottom Hook should be on the left. With the Terminator in this orientation, place the freshly trimmed Line into the hole furthest to the right along the top hole so that the Line passes from the back of the Terminator through the hole to the front of the Terminator.
- m. When the Cannon Terminator is turned over facing forward, the Line should follow the Track along the left side of the Terminator to the Bottom Hook. The Line should then be pulled to exit out the bottom along the closed side of the Bottom Hook. Pull about 6 inches of Line from the bottom of the Terminator.
- n. With the Line exiting the bottom of the Terminator, slide the Line along the Bottom Hook so that it passes through the loop of the Snap Swivel linked on the Bottom Hook.
- o. With the Line through the loop on the Snap Swivel, pass it along the Bottom Hook of the Terminator and insert it into the hole in the space at the far end of the Terminator where the Bottom Hook is detached from its base. Pull about 6 inches of the Line through the hole.

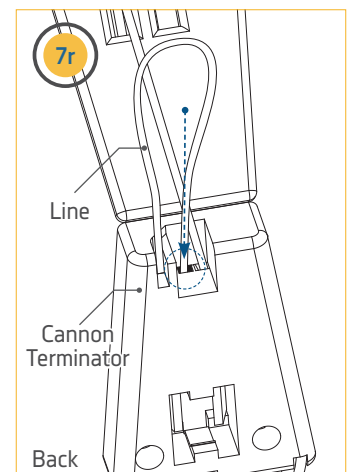
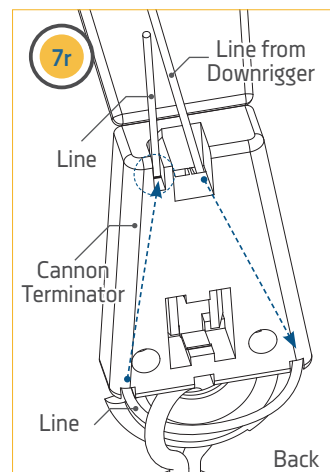
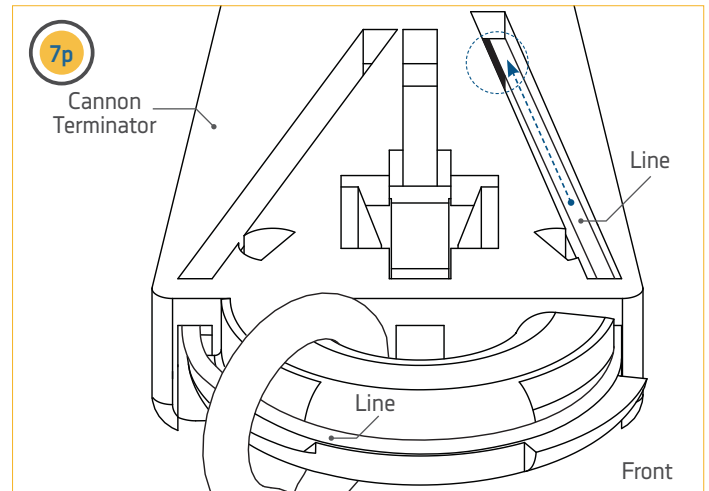
NOTICE: When routing the Line through the Terminator, there may be areas where there is slack in the Line. While routing the Line, it is okay for slack to be present. At the end of the termination process, the slack will be pulled tight. Be sure that the slack in the Line does not get kinked, to keep the Line easy to feed through the Terminator.



TERMINATING THE DOWNRIGGER LINE

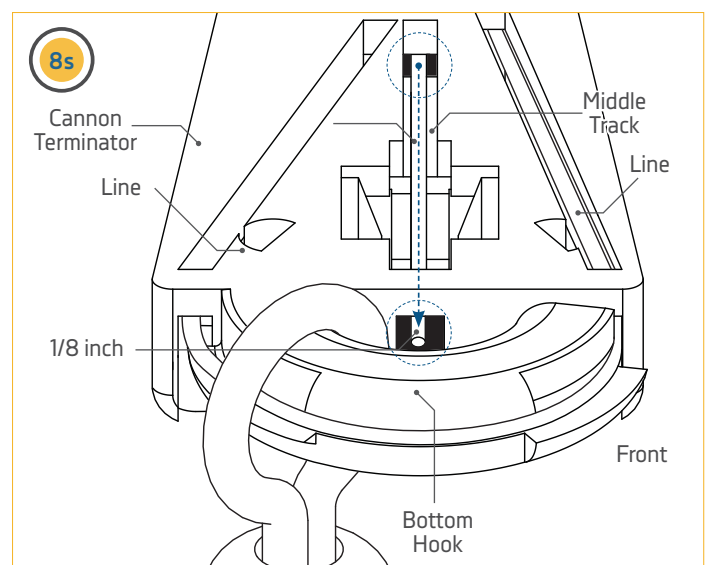
7

- p. With the front of the Cannon Terminator still facing toward you, take the Line and place it along the track along the right side of the Terminator and insert it so that it exits the hole at the far end of the track. The Line will exit the hole towards the back side of the Terminator.
- q. Turn the Terminator over so the back side is facing toward you. Pull about 6 inches of slack through the Terminator.
- r. Take the end of the Line and put it through the hole on the back of the Terminator right next to the hole that the Line was just fed out of. The hole is in the middle of the Terminator and is directly between the hole that the Line just exited and the very first hole that the Line was fed through on the Terminator.



8

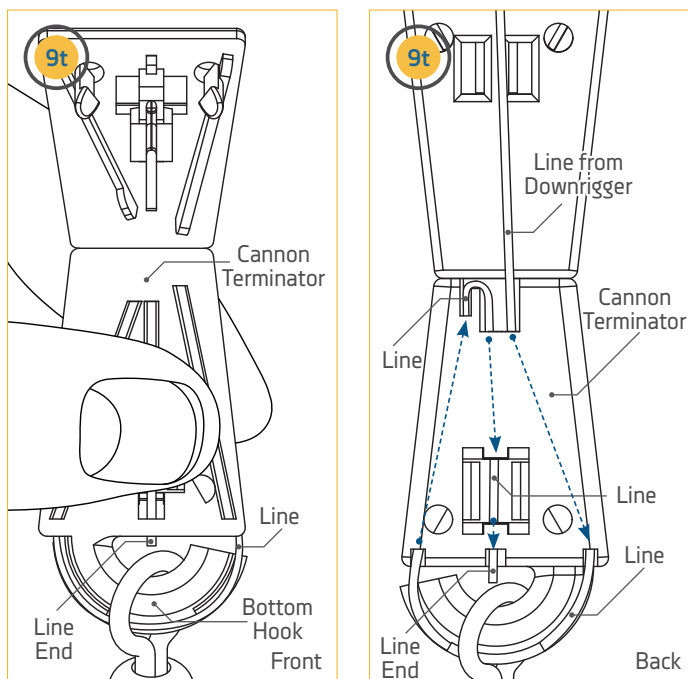
- s. Turn the Terminator over so that the front of it is facing towards you. The end of the Line that was just inserted into the back of the Terminator should run along the track in the middle of the Terminator. Feed the Line all the way along this Track so that it exits the hole in the middle of the Terminator along the middle of the Bottom Hook at the end of the Track. The Line should stick out about 1/8 inch from the Terminator along the Bottom Hook.



TERMINATING THE DOWNRIGGER LINE

9

- t. With the End of the Line sticking out the final hole by the Bottom Hook, hold the Terminator and squeeze the Line in the middle track to hold it in place. While keeping the end of the Line in place, pull the Line wound through the Terminator in the opposite direction, so that the slack is pulled tight. Use a pliers if necessary to get the Line tight.

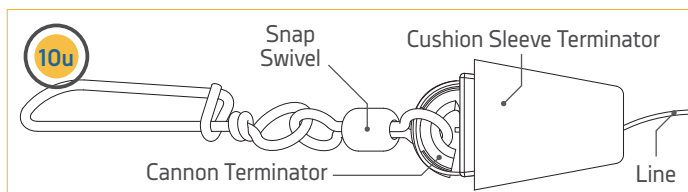
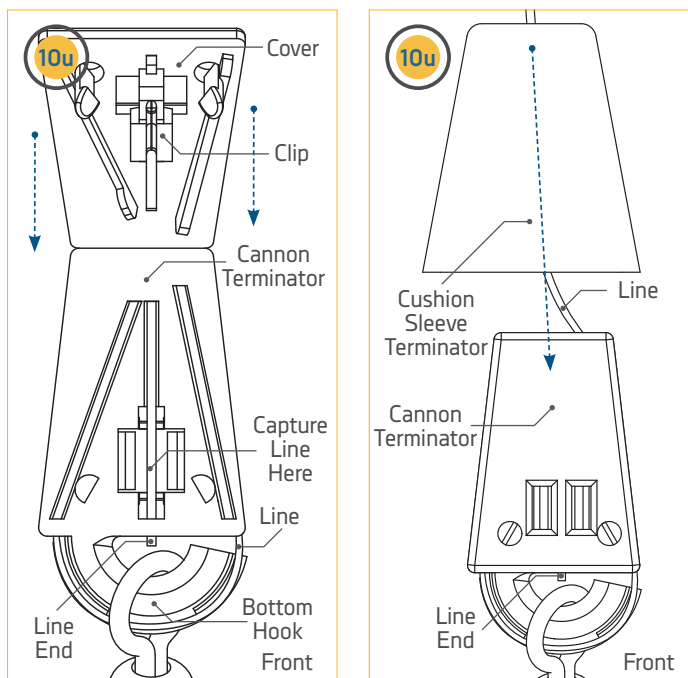


10

- u. With the Line tight, close the Cover of the Terminator so that the Clip in the middle of the top cover captures the Line. Use a Pliers to close the Terminator if necessary. With the Terminator closed, Slide the Cushion Sleeve Terminator securely over the Terminator until it is seated against it. Once fully seated, the downrigger is successfully terminated. A Cannon Weight can then be attached directly to the Snap Swivel.

⚠ CAUTION

Do not overload the downrigger. It is designed to retrieve a maximum of 20 lb. weights only.



INSTALLING THE REAR MOUNT ROD HOLDER



INSTALLING THE REAR MOUNT ROD HOLDER >

The Cannon Optimum downrigger comes with two Rear Mount Rod Holders, while the Cannon Optimum TS comes with one. The Rod Holder(s) incorporate a two-piece locking tooth design. This allows independent adjustment of the Rod Holder along two axes, which can be easily adjusted every 15° of rotation. The symmetrical design will allow mounting of the Rod Holder on either side of the downrigger or two Rod Holders at the same time. The spring along the shaft of the Soft Grip Knob allows the knob to be loosened and the Rod Holder to be indexed without fully disassembling it. To install, follow the steps below.

NOTICE: The Rod Holder assembly is not covered under warranty when used with tackle above 30 lbs. Equipment placed in the Rod Holders and the loss thereof is the responsibility of the user and is in no way warranted by Johnson Outdoors, Inc. Mounting must be in accordance with the instructions to comply with the product warranty.

CAUTION

The Rod Holder is intended for use of up to 30lb test line only and is not recommended for use with any tackle IGFA (International Game Fish Association) rated higher than 30lb. A safety strap (not included) is recommended for all applications.

1

Item(s) needed:



#20 X 1 or 2

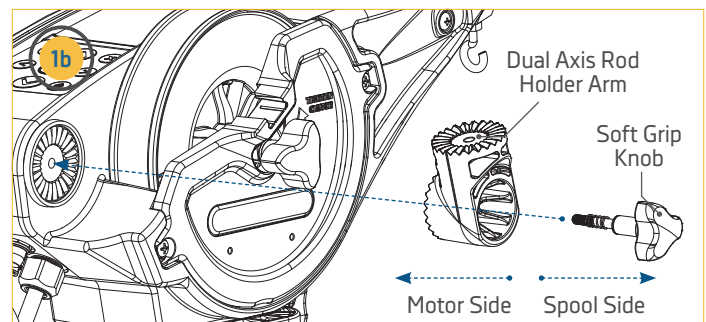
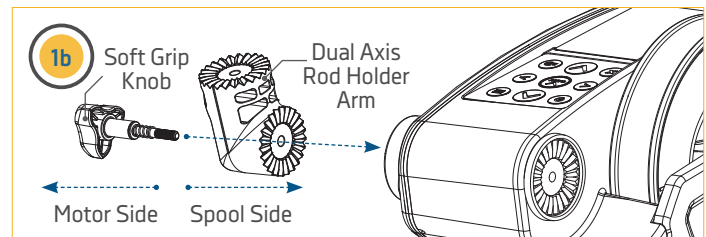
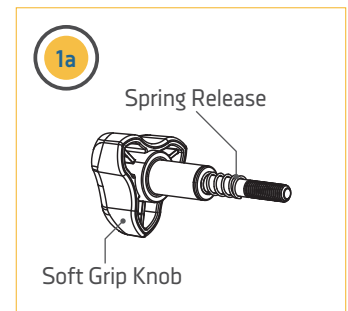
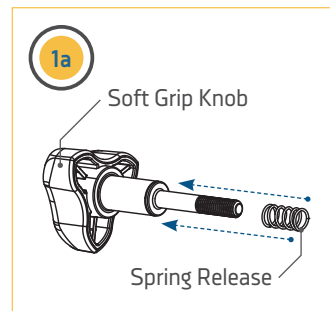


#22 x 1 or 2



#26 x 1 or 2

- a. Depending on the Downrigger, it will come with either one or two Rod Holders. To secure the Rod Holder(s) on the Downrigger Assembly, take one or two Soft Grip Knobs (Item #20) and one or two Spring Releases (Item #22). Place one spring on the end of each Soft Grip Knob.
- b. If the downrigger came with one Rod Holder, determine which side of the downrigger to install the Rod Holder on based on how your downrigger is mounted and how it will be used. Once the location of the Rod Holder is determined, take the Dual Axis Rod Holder Arm (Item #26) and turn it so that the short end of the elbow will be placed against the Downrigger Assembly. The face of the Dual Axis Rod Holder Arm that is installed on the downrigger contains keyed teeth which are matched on the Dual Axis Rod Holder Arm. These keyed teeth will help to hold the position of the knob and help to hold it in place when the position of the holder is changed during use. Secure the Dual Axis Rod Holder Arm with the Soft Grip Knob.

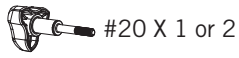


NOTICE: The Tournament Series Optimum downrigger comes with one Rod Holder, the standard Optimum downrigger comes with two Rod Holders.

INSTALLING THE REAR MOUNT ROD HOLDER

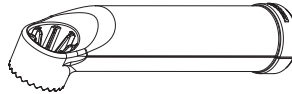
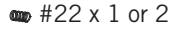
2

Item(s) needed:



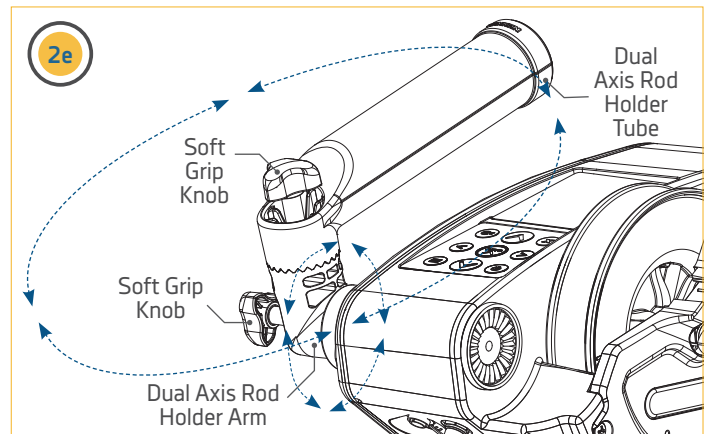
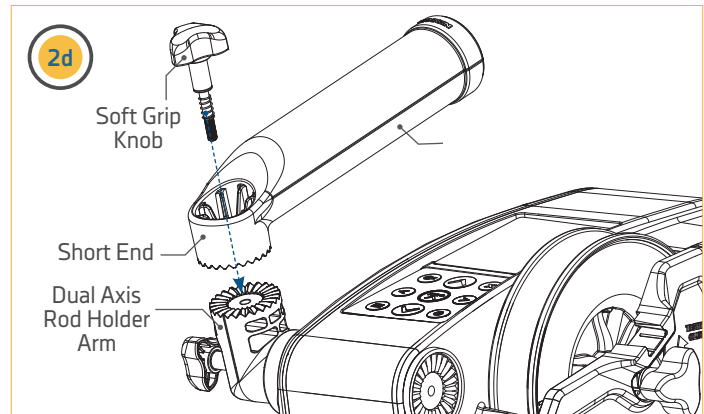
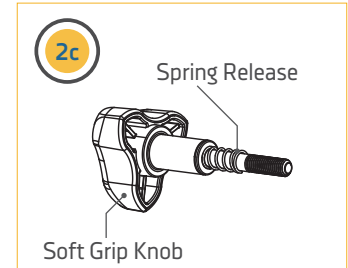
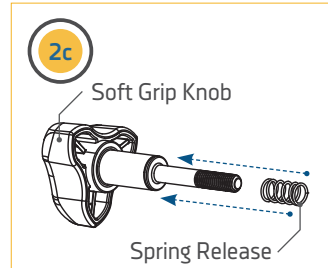
#20 X 1 or 2

#22 x 1 or 2



#34 X 1

- c. A Soft Grip Knob will be used to secure the Dual Axis Rod Holder Tube to the Arm just installed. Take one or two Soft Grip Knobs (Item #20) and one or two Spring Releases (Item #22). Place one spring on the end of each Soft Grip Knob.
- d. Take the Dual Axis Rod Holder Tube (Item #24) and turn it so that the short end of the piece will be placed against the Dual Axis Rod Holder Arm. The face of the Dual Axis Rod Holder Arm that contains keyed teeth which are matched on the Dual Axis Rod Holder Tube. These keyed teeth will help to hold the position of the knob and help to hold it in place when the position of the holder is changed during use. Secure the Dual Axis Rod Holder Tube with the Soft Grip Knob.
- e. To adjust the direction of the Dual Axis Rod Holder Arm or tube, loosen the Soft Grip Knob and rotate in the desired direction. Then re-tighten the Soft Grip Knob to secure in place.



NOTICE: The Soft Grip Knobs and Spring Releases will be inside the Dual Axis Rod Holder Tube.

WIRING THE DOWNRIGGER

RIGGING & INSTALLATION GUIDELINES

For safety and compliance reasons, we recommend that you follow American Boat and Yacht Council (ABYC) standards when rigging your boat. Altering boat wiring should be completed by a qualified marine technician. The following specifications are for general guidelines only:

CAUTION

These guidelines apply to general rigging to support your Cannon product. Powering multiple downriggers or additional electrical devices from the same power circuit may impact the recommended conductor gauge and circuit breaker size. If you are using wire longer than that provided with your unit, follow the conductor gauge and circuit breaker sizing table below. If your wire extension length is more than 30 feet, we recommend that you contact a qualified marine technician.

CAUTION

Please read the following information before connecting your downrigger to a battery in order to avoid damaging your product and/or voiding your warranty.

CONDUCTOR GAUGE AND CIRCUIT BREAKER SIZING TABLE

This conductor and circuit breaker sizing table is only valid for the following assumptions:

1. No more than 2 conductors are bundled together inside of a sheath or conduit outside of engine spaces.
2. Each conductor has 105° C temp rated insulation.
3. No more than 5% voltage drop allowed at full motor power based on published product power requirements.

Fuse/Breaker Specifications	Wire Specifications		
30 Amp, 32 Volt, Waterproof, Fast Blow	10 Gauge	8 Gauge	6 Gauge
	0-10 feet	11-15 feet	16-20 feet
	0-3 meters	3-4.5 meters	4.5-6 meters

CAUTION

An over-current protection device (circuit breaker or fuse) must be used. Coast Guard requirements dictate that each ungrounded current-carrying conductor must be protected by a manually reset, trip-free circuit breaker or fuse. The type (voltage and current rating) of the fuse or circuit breaker must be sized accordingly to the Cannon downrigger used.

WIRING THE DOWNRIGGER

RECOMMENDATIONS FOR MAINTAINING BOAT'S ELECTRICAL CONDITION

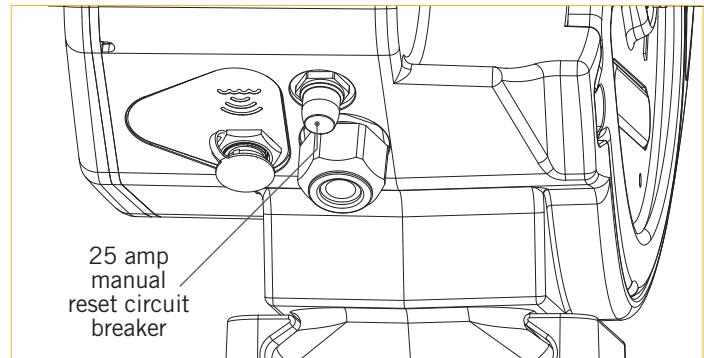
Whenever a boat is in water, various submerged parts interact to create weak electrical currents. These weak electrical currents should be controlled to extend the life of the boat's metal parts and ensure a good fish catching environment. In order for the Positive Ion Control and Short Stop (PIC) on your downrigger to work correctly, it is important to make sure your boat is properly set up before installing your downrigger. For full details on how the Positive Ion Control system works, see the "Positive Ion Control" section of the Owner's Manual.

NOTICE: To ensure proper operation of your downrigger, ground the downrigger battery to your boat's electrical system's ground. Always check to see if your boat is properly grounded first. Malfunctions with the Positive Ion Control, communication between units, or loss of operation result from faulty grounding.

- If the zinc sacrificial anodes on your boat and on the outboard/outdrive are more than half dissolved, it is recommended that they be replaced. Clean anodes on a regular basis with a non-corrosive brush.
- Any coating of slime or growth on the boat should be cleaned off.
- All metal parts including the hull (if metal) should be interconnected by a grounding wire. This includes motor shafts, outdrives, and through hull fittings. This will ensure that the boat is properly grounded to the water and allow Positive Ion Control and Short Stop to work correctly.
- The line on your downrigger should be replaced every 2 years. Etching of the line can weaken it physically and electrically.
- The use of Cannon coated weights and the snap assembly with the insulator will help insulate the weight from the positively charged line.

ELECTRICAL SPECIFICATIONS & WIRING INSTRUCTIONS

The downrigger is rated at 30 amps (full load), 12 volts DC and is protected by a 25 amp manual reset circuit breaker (located under motor housing). Be sure to measure the battery voltage of your boat.



WARNING

Do not run this downrigger on a 24 volt or higher battery system. This will damage the unit and void your warranty. Only connect your downrigger to a 12 volt battery system.

WARNING

It is strongly recommended to power your downrigger with a battery capable of providing high currents for an extended period of time. Only run a downrigger from a Starter battery if it is recharged by an alternator while the downrigger is running.

WARNING

Never connect the (+) and the (-) terminals of the same battery together. Take care that no metal object can fall onto the battery and short the terminals. This would immediately lead to a short and extreme fire danger.

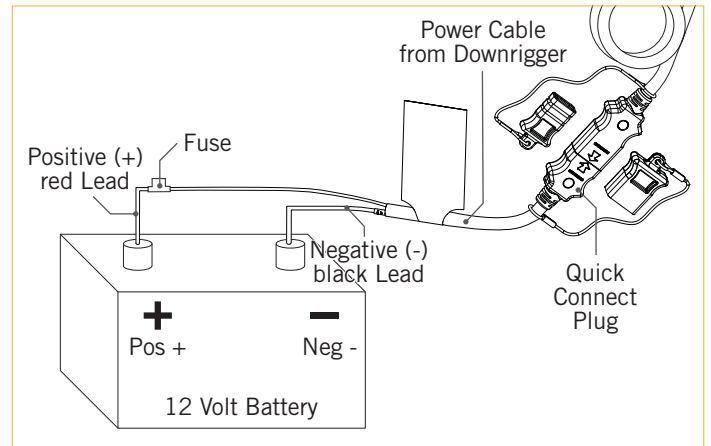
WIRING THE DOWNRIGGER

CONNECTING TO THE BATTERY

It is strongly recommended that a fuse or manual reset circuit breaker be installed within 7 inches from the battery on the positive lead of the power cable. In addition, you may also connect the downrigger to a battery selector switch. It is strongly recommended to power your downrigger with a Deep-Cycle marine battery. Only run a downrigger from a Starter battery if it is recharged by an alternator while the downrigger is running.

1. Make sure that the downrigger is powered "off" or the Quick Connect Plug on the downrigger Power Cable is disconnected.
2. Connect positive (+) red lead to positive (+) battery terminal.
3. Connect negative (-) black lead to negative (-) battery terminal.
4. Reconnect the Quick Connect Plug when ready to use the downrigger.

NOTICE: Control degradation of the power cables and limit corrosion by using anti-oxidant gel on all connections. Do not use wing nuts.



⚠ CAUTION

Refer to "Conductor Gauge and Circuit Breaker Sizing Table" in the previous section to find the appropriate circuit breaker or fuse for your downrigger.

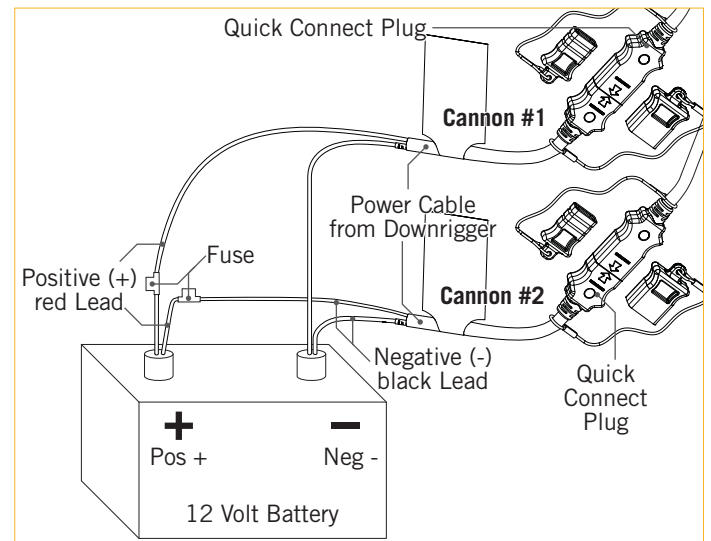
⚠ WARNING

For safety reasons, disconnect the downrigger from the battery when the downrigger is not in use or while the battery/batteries are being charged. If installing a leadwire plug, observe proper polarity and follow instructions in your boat owner's manual. Keep leadwire connections tight and solid to battery terminals. Locate battery in a ventilated compartment.

POWERING MULTIPLE DOWNRIGGERS

When operating multiple downriggers, run a maximum of 2 downriggers per dedicated 12 volt battery. Follow the instructions from the "Connecting to the Battery" section of these Installation Instructions. Repeat the directions for each downrigger.

NOTICE: Use the Quick Connect Plug to remove power from the downrigger without touching the battery.



ADDITIONAL CONSIDERATIONS

ADDITIONAL ACCESSORIES CONNECTED TO DOWNRIGGER BATTERIES >

Significant damage to your Cannon downrigger, your boat electronics, and your boat can occur if incorrect connections are made between your downrigger batteries and other battery systems. It is recommended to use an exclusive battery system for your downrigger. Where possible, accessories should be connected to a separate battery system. Radios and sonar units should not be connected to any downrigger battery systems as interference from the downrigger is unavoidable. If connecting any additional accessories to any downrigger battery system, or making connections between the downrigger batteries and other battery systems on the boat, be sure to carefully observe the information below.

The negative (-) connection of an accessory device must be connected to the negative terminal of the same battery that the downrigger negative lead connects to. Connecting to any other downrigger battery will input positive voltage into the “ground” of that accessory, which can cause excess corrosion. Any damage caused by incorrect connections between battery systems will not be covered under warranty.

AUTOMATIC JUMP START SYSTEMS AND SELECTOR SWITCHES >

Automatic jump start systems and selector switches tie the negatives of the connected batteries together. Please see a qualified marine technician if installing your Cannon downrigger with one of these systems or a selector switch.

SELECTING THE CORRECT BATTERIES >

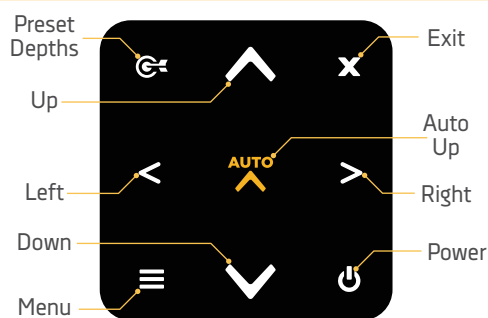
The downrigger will operate with any lead acid deep cycle marine or Lithium 12 volt battery/batteries. For best results, use a deep cycle marine battery. Maintain battery at full charge. Proper care will ensure having battery power when you need it, and will significantly improve the battery life. Failure to recharge lead-acid batteries (within 12-24 hours) is the leading cause of premature battery failure. Use a multi-stage charger to avoid overcharging. We offer a wide selection of chargers to fit your charging needs. If you are using a crank battery to start a gasoline outboard, we recommend that you use a separate deep cycle marine battery/batteries for your Cannon downrigger.

SETUP GUIDE

SETTING UP THE OPTIMUM™


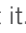






When powering the downrigger "on" for the first time, the Color LCD will bring up a Setup Guide. In order to follow through the Setup Guide, first become familiar with the downrigger keypad. When comfortable with the keypad, follow through the Setup Guide to customize downrigger settings before beginning to use the downrigger for fishing. The Setup Guide will also appear the first time that the downrigger is powered "on" after the defaults have been restored.


DOWNRIGGER KEYPAD







- POWER** - When the downrigger is "off", press to turn the downrigger "on". When the downrigger is "on", a quick press will open the Power Menu or pressing and holding for 3 seconds will power the downrigger "off".
- UP** - When all menus are closed, press to control the Spool to bring the weight up and the line in. The weight will continue to come up until the button is released or the line counter reaches "0". If the downrigger is currently moving the line when pressed, it will cancel the action. When any menu is open, pressing it will cycle up through the menu options. If the menu reaches the top of the list it will move to the bottom and continue to move up the options.
- AUTO UP** - Single press to automatically bring the weight up and the line in at speed 5. The weight will continue to come up until the line counter reaches 0 or Short Stop is engaged even when the button is released. Single press and hold to bring the weight up for all downriggers in the Network. Use the Right button to confirm the Auto Up All selection. The weights for all downriggers will continue to come up following the same controls for a single downrigger.
- DOWN** - When all menus are closed, press to control the Spool to send the weight down and the line out. The weight will continue to go down until the button is released or the line is completely let out. If the downrigger is currently moving the line when pressed, it will cancel the action. When any menu is open, pressing will cycle down through the menu options. If the menu reaches the bottom of the list it will move to the top and continue to move down the options.
- LEFT** - Press to make selections, adjustments to menus or change Views.
- RIGHT** - Press to make selections, adjustments to menus or change Views. When menu selections are finalized, press to close the menu.
- MENU** - When the Color LCD has any one of the Views open on the screen, a single press will open the Quick Menu for the View displayed. Double press from any View to open the Settings Menu. If the Settings Menu is open, pressing again will close the menu. If a Quick Menu is open, a single press will open the Settings Menu.
- PRESET DEPTHS** - Press to open the Preset Depths Menu and to access Last Depth Recall.
- EXIT** - Press to exit or close menus. Returns Color LCD to the last screen or View.



SETUP GUIDE



The Setup Guide is a set of menus that help the user select settings to help with downrigger operation. All of the options in the Setup Guide can be accessed in menus within the downrigger if preferences change after initial setup. The Setup Guide will first bring up a menu that gives the user the option to select Language, Battery Alarm, Temperature, Depth/Distance and Speed. Use the Up  and the Down  button to scroll to the options in the list and use the Right  button and the Left  button to change the setting for each one. Once the options in the first menu are selected, scroll to the Continue option and use the Right  button to select it. This brings up a second menu in the Setup Guide. The second menu allows the user to select the amount of Line on Spool, Line Type and Line Weight. The second menu is navigated in the same way as the first. Once happy with the selections, scroll to the Complete Setup option and use the Right  button to select it. After the second menu is complete, the downrigger will bring up information on the Cannon Transducer. Read the information on the Color LCD and then use the Right  button to Select next. This is followed by a message about the Fish Hawk and Humminbird® fish finder. Read the messages and then use the Right  button to select Next. Selecting next on the Humminbird screen completes the Setup Guide.



LANGUAGE - Choose between 1 of 22 languages. The default language is English. Use the Right  button to confirm the language and make sure that the radio button to the right of the desired language is selected.



BATTERY ALARM - Shows an alarm when the battery drops below a certain voltage. The default is set to "off", but can be adjusted between 9.0V and 13.5V. Use the Right  button or the Left  button to edit the sliding scale.



TEMPERATURE - Sets the temperature readings to Fahrenheit or Celsius. Use the Right  button or the Left  button to scroll between the options. The default is set to Fahrenheit.

DEPTH/DISTANCE - Sets the Distance and Depth reading measurements in units of Feet or Meters. Use the Right  button or the Left  button to scroll between the options. The default is set to Feet.

SPEED - Sets the Speed measurements in units of mph (miles per hour), kph (kilometers per hour), or kts (knots). Use the Right  button or the Left  button to scroll between the options. The default is set to mph.

LINE ON SPOOL - Program the downrigger with the amount of Line on the Spool. The spool comes installed with 400 feet of stainless steel line. The Line on the Spool is set to the default of 400 feet. The range can be adjusted from 150 feet, (the minimum suggested amount) to 400. The Line on Spool can be adjusted on 50-foot increments on a sliding scale that can be adjusted using the Right  button or the Left  button.

LINE TYPE - The default Line Type is stainless steel line, but can be set to either Braided, Stainless Steel or Mono. Use the Right  button or the Left  button to scroll between the options.

LINE WEIGHT - The default Line Weight is 50-150lbs, but can be set to either 50-150lbs, 150-200lbs or 200+lbs. Use the Right  button or the Left  button to scroll between the options.



CONNECTING THE DOWNRIGGER

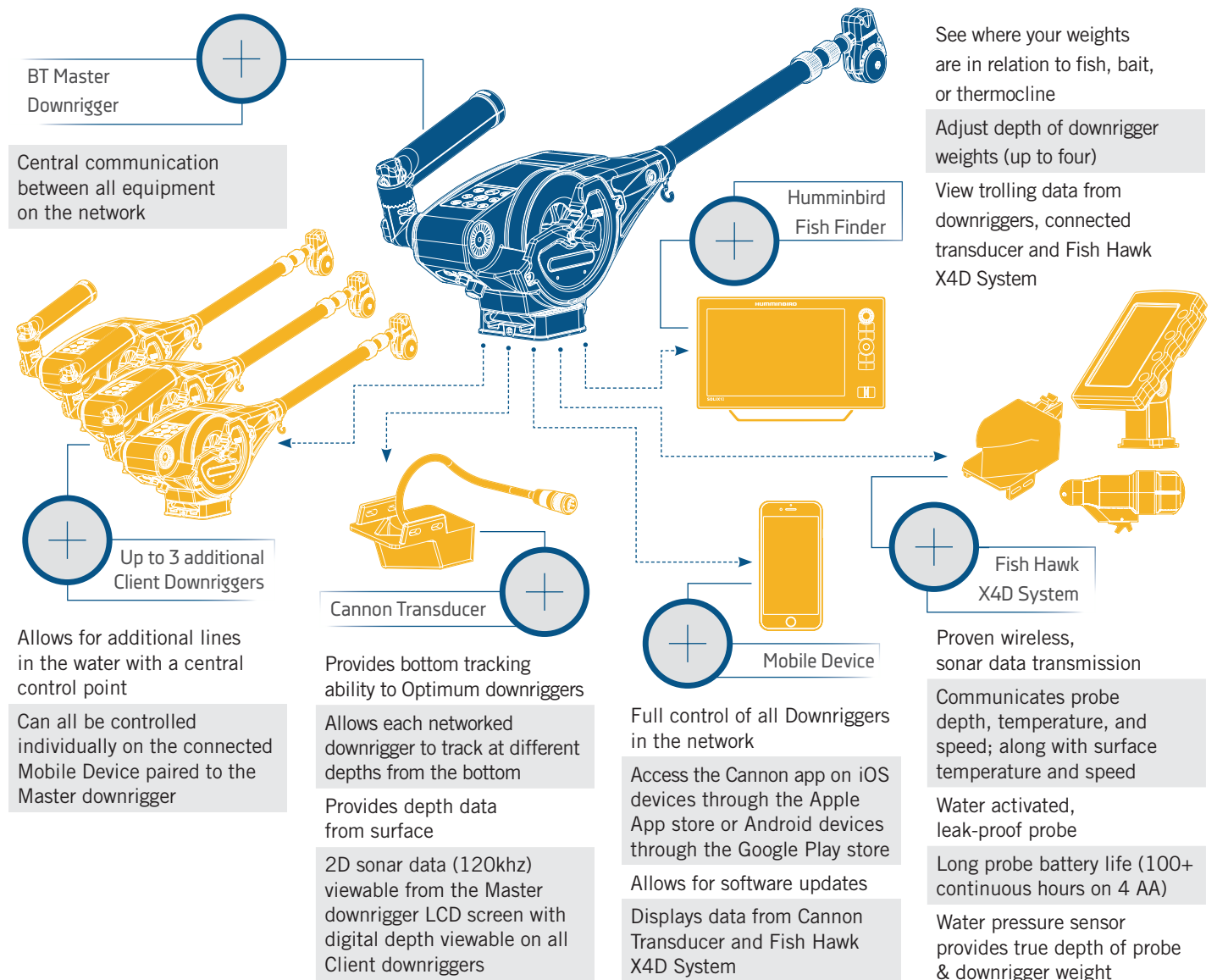
NETWORKING THE OPTIMUM

Through the One-Boat Network™, the Cannon Optimum downrigger can be wirelessly networked to give you total control of your downrigger from anywhere on your boat. If you want to put bait on target, you've got to fish smarter. The new Optimum™ downrigger is positively ingenious. This smart, connected system gives you access to critical trolling data and lets you raise, lower and cycle weights using the full-color LCD display, or your mobile device. No matter where you are on the boat, you're in charge. And the fish won't know what hit them.



The network works by designating one Master downrigger that is paired with all additional equipment through a wireless network. This network includes up to 3 additional Optimum downriggers, a mobile device, the Fish Hawk X4D System and a Cannon transducer. Any one of the Optimum downriggers in the network can be designated as the Master downrigger. The Master downrigger is the central communication hub for the network in which all devices are paired to. Complete the "Installing the Optimum" and "Battery & Wiring" sections of these instructions before setting up the Cannon Optimum downrigger wireless network. Carefully read the information below about how the network functions and then continue to the following sections to pair the additional equipment to the network to set it up for proper control.

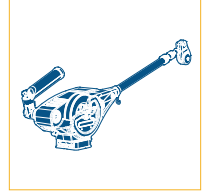
THE BLUETOOTH OPTIMUM AND OPTIMUM TS NETWORK



CONNECTING THE DOWNRIGGER

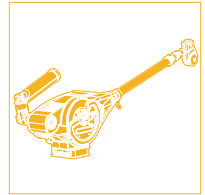
THE MASTER DOWNRIGGER >

The Master downrigger is the Optimum downrigger on the system that is designated to be the central communication hub for the wireless network. Running multiple lines is easier than ever, because complicated wiring is a thing of the past. You can network up to four Optimum downriggers wirelessly. Any downrigger that is added to the network is paired directly to the Master downrigger. The Cannon transducer is plugged into the Master downrigger. The Master downrigger is also paired with the Mobile Device and the Fish Hawk X4D system. The Master downrigger is used to control the communication between the equipment on the network. For example if the downrigger received a software update from the Cannon app, the Master downrigger will communicate the update to any Client downrigger it is paired with. In networks where only one downrigger exists, it will automatically become the Master downrigger if any of the other equipment is connected or paired to it. There cannot be two Master downriggers in a network.



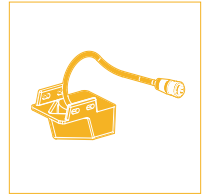
THE CLIENT DOWNRIGGER(S) >

Any downrigger that is paired to the Master downrigger is a Client downrigger. The network can support up to three Client downriggers. The Client downriggers receive information from the Master including software updates from the Cannon app and sonar or probe information from any paired equipment. The network will be interrupted if any additional equipment, besides the Master downrigger are paired to a Client downrigger. Any Client downrigger in the network can be controlled on the Mobile Device paired to the network through the Cannon app.



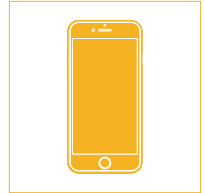
THE CANNON TRANSDUCER >

The Cannon Transducer is the only wired piece of equipment in the Network. The Cannon transducer should only be plugged into the Master downrigger. It delivers sonar data that is displayed on the downrigger Color LCD. The Cannon transducer gives downriggers the ability to use the Bottom Tracking feature and contributes valuable trolling information to the Network. Plugging the Cannon Transducer into any downrigger in the network other than the Master downrigger will interrupt the network.



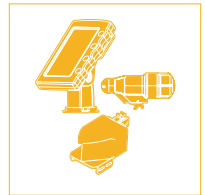
A MOBILE DEVICE >

With the Cannon app on your mobile device, you'll have trolling data at your fingertips and total control of your Optimum downriggers from anywhere on your boat. It even keeps your Optimum software up to date. The Cannon app will only work with Bluetooth® enabled Cannon downriggers. Be sure that you download the correct app as other apps will not work with your Cannon Optimum or Optimum TS downrigger. Launching the app when it is not paired with the Cannon will allow you to try it in Demo Mode. The first time the app is launched, you must agree with the disclaimer in order to continue. Become familiar with the app screens in order to understand how to operate your downrigger(s) with the Cannon app. The Mobile Device should be paired with the Master Downrigger.



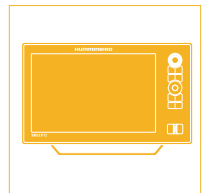
THE FISH HAWK X4D SYSTEM >

Every Optimum downrigger integrates wirelessly with Fish Hawk X4D System to give you the critical info you need to troll successfully. This system provides the true running depth and speed of your weight, the temperature at the weight, plus surface temperature and speed. Within the wireless Network, the Fish Hawk should only be paired with the Master downrigger.



A HUMMINBIRD FISH FINDER >

Optimum downriggers wirelessly network together giving you control of all of your downriggers with push of a button. They connect with your Humminbird® fish finder and your mobile device for total control and to display trolling data. When paired with a Humminbird fish finder, the Optimum can use a Humminbird connected transducer as the source for the Bottom Tracking feature. With the One-Boat Network™, your advanced fishing gear does more than work together. It starts talking to each other wirelessly, to help you find, stay on and land more fish.



PAIRING A DEVICE TO A SINGLE DOWNRIGGER



PAIRING A DEVICE TO A SINGLE DOWNRIGGER ➤


Cannon offers an app that can be used to control and update the Cannon downrigger using a Bluetooth® enabled device. The Cannon app is available for download on iOS devices through the Apple App store or Android devices through the Google Play store.

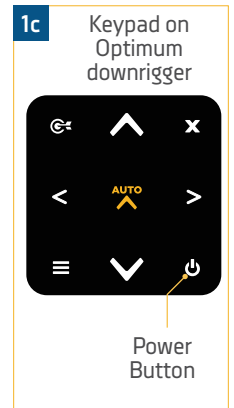
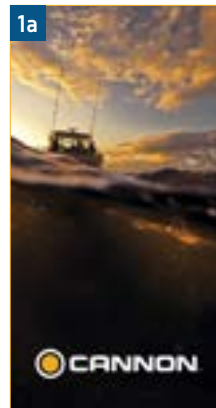
The Cannon app can be used to control the downrigger using a device that is paired to the downrigger with a Bluetooth connection. Before pairing the device with the downrigger, the Cannon app should first be successfully downloaded. You can confirm that the app was successfully downloaded by opening it on your device. The Cannon downrigger will only be able to pair with **one** Bluetooth enabled device. It is recommended to review the "Connecting the Downrigger" section of these instructions to understand how the technology works together and understand how downriggers function in a network. If you are pairing a device to a single downrigger, it will automatically become the Master downrigger. If pairing to a series of downriggers, determine which downrigger will be the Master downrigger and then follow steps below and only work with the Master downrigger during this pairing process. The Master downrigger will be referred to as the BT Master.

The Cannon app icon. See the Cannon app section of these instructions (pg 88) for more information on how to control the downrigger on the app.



NOTICE: Your device will only be able to connect to a Cannon and be paired if the device Bluetooth is enabled. Your device will only be able to pair with a Bluetooth enabled Cannon downrigger.

- 1**
 - a. Download the Cannon app on the device you intend to pair with the downrigger. After downloading the app, open it to make sure the download was successful.
 - b. Once the opening screen launches, the app on your device will display a Pairing Guide. The guide will help you pair your Cannon downrigger.
 - c. Turn the Master Cannon downrigger "on", by pressing the Power  button on the keypad.
 - d. Once the downrigger is powered "on", return to the device and select "Continue" from the Pairing Guide screen in the app.



NOTICE: When opening the app if a "Downrigger Not Found" message appears, select "Retry Pairing Setup".






- 2**
 - e. The Cannon app will begin the pairing process by helping to determine which downrigger is going to be assigned the Master downrigger. From the Pairing Guide, an option to Assign a BT Master will appear on the device. Select "Yes, Pair to BT Master" to continue.

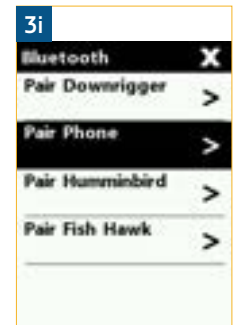
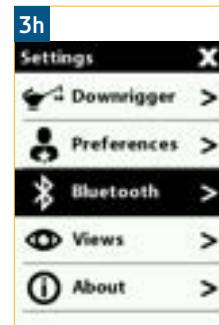
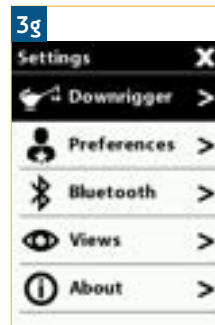
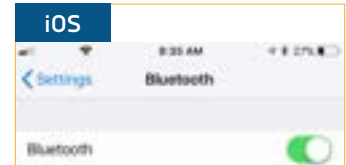
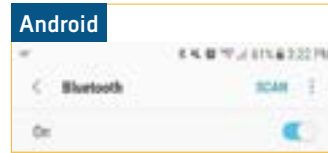
NOTICE: The (Bluetooth) BT Master downrigger is the Master downrigger and needs to have all downriggers, phone, and transducer connected to it.




PAIRING A DEVICE TO A SINGLE DOWNRIGGER

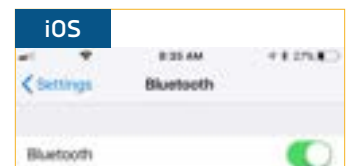
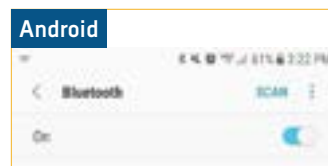
3

- f. From the Pairing Guide on the device, select "Bluetooth Settings" from the iOS device or "Android Bluetooth Settings" on the Android device. The Cannon app will redirect the Android device to its Bluetooth Settings and the iOS device to its Settings. On the iOS device open the Bluetooth Settings on the device. Turn Bluetooth on the device "on", and keep your device on the Bluetooth screen.
- g. Return to the downrigger being paired to the device. On the downrigger keypad, press the Menu  button twice to bring up the Settings Menu on the Color LCD.
- h. From the Settings Menu, use the Down  button to scroll to the item listed Bluetooth. Press the Right  button to open the Bluetooth Menu.
- i. From the Bluetooth Menu, use the Down  button to scroll to the Pair Phone option. Press the Right  button to select it.



4

- j. When Pair Phone is selected, it brings up the Pair Phone screen on the Color LCD. Press the Right  button on the downrigger keypad to select "Pair Phone". This puts the downrigger in Pairing Mode.
- k. Once in Pairing Mode, the downrigger will display "Pairing Phone...". Return to the mobile device and scan for new Bluetooth devices. If on an Android device, select the Scan button to begin the process on your device. On an iOS device, as soon as the Bluetooth Menu is opened, the scan starts automatically. When the Optimum is recognized by the device, it will appear on the device list. Select the Optimum or Optimum TS from the list of available devices.



PAIRING A DEVICE TO A SINGLE DOWNRIGGER

5

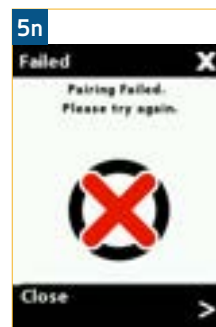
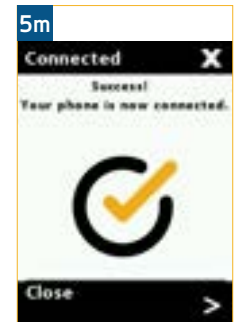
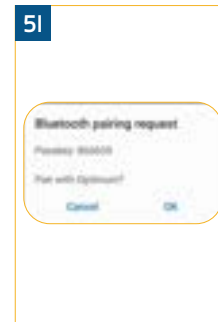
- l. Once selected on the device list, the downrigger will send a 6 digit passkey to the device.
- m. Check the device to make sure that the pass code on the downrigger Color LCD matches the pass key on the device. Confirm the passkey on the mobile device.

NOTICE: The pass key or code will be different every time the downrigger is paired with a device.

- n. When the pass key is confirmed on the mobile device, the downrigger Color LCD will confirm that the connection was successful.

NOTICE: When the Bluetooth device is scanning for the Optimum, the downrigger must be in Pairing Mode. If the downrigger or the device time out, the process on both will need to be re-initiated.

- o. In order for the device and your Optimum to stay connected, Bluetooth needs to remain "on". Once the device is paired with the Optimum, the device will connect and begin communicating with each other. When the Optimum is paired to the device and communicating with it, the Cannon app will automatically recognize that the downrigger is paired.
- p. If the pair is unsuccessful, return to the Pair Phone Menu on the downrigger and put the downrigger and the device into pairing mode again at the same time and repeat the process.



NOTICE: The downrigger will stay in Pairing Mode for 30 seconds. If the pass code is sent to the mobile device, but has not been confirmed on the device, the pair will not be successful. Try the Pairing again and be sure to confirm the pass code before the pairing times out.

NOTICE: When a device is paired with the downrigger, the paired device and downrigger know each other. When a paired device and a downrigger are connected they can actively communicate with each other. In order for the Cannon app to detect the downrigger, it needs to be paired and communicating with the downrigger.





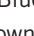
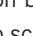
NOTICE: It may take a few moments for your device to connect and the app to respond to the network even after it is connected.

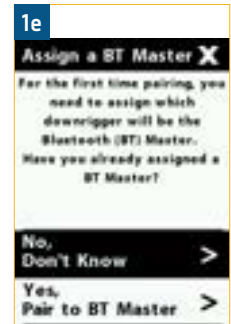
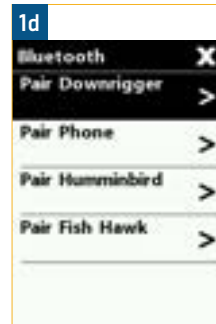
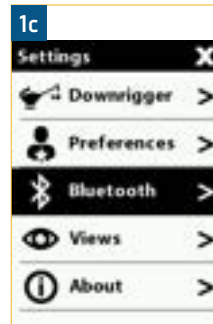
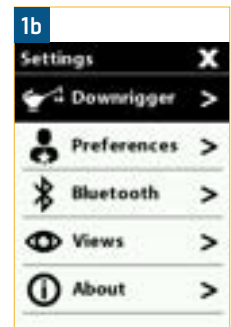
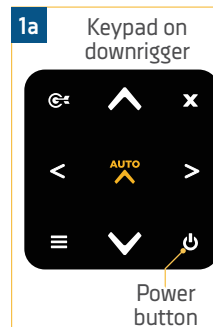
PAIRING TWO DOWNRIGGERS TOGETHER

PAIRING TWO DOWNRIGGERS TOGETHER >

If your boat is set up with multiple downriggers, it is possible to pair up to 4 downriggers together in a network to share information and control the downriggers from a single device. Building a network requires pairing each downrigger with the Master downrigger and allows much of the data to be viewed across the network. Each downrigger paired to the Master downrigger is a Client downrigger. The Master downrigger will be the downrigger in the network that is paired to a device, and is able to be connected to a transducer or Fish Hawk X4D System. It is recommended to review the "Connecting the Downrigger" section of these instructions to understand how the technology works together and understand how downriggers function in a network. To pair two downriggers together follow the instructions below.




1

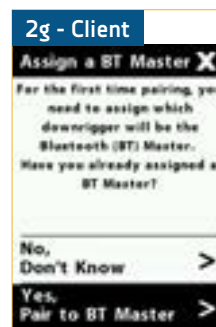
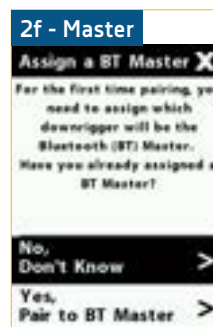
- Determine which downrigger will be the Bluetooth Master. Turn both Cannon downriggers "on", by pressing the Power  button on the keypad of each downrigger.
- Then on both downriggers, press the Menu  button twice to bring up the Settings Menu on both Color LCDs.
- From the Settings Menu on both downriggers, use the Down  button to scroll to the item listed Bluetooth. Press the Right  button to open the Bluetooth Menu.
- From the Bluetooth Menu on both downriggers, use the Down  button to scroll to the Pair Downrigger option. Press the Right  button to continue.
- Both the Master and Client downrigger will display an Assign a BT Master on the Display Screen.



NOTICE: The Master downrigger is the downrigger that a mobile device, all downriggers and accessories, such as the Cannon transducer, Humminbird fish finder and Fish Hawk, will be paired to. The Client downrigger is the downrigger that will be paired to a Master downrigger.

2

- From the downrigger that will be assigned to the BT Master, select "No, Don't Know" by pressing the Right  button.
- From the Client downrigger, use the Down  button to scroll to the "Yes, Pair to BT Master" option. Press the Right  button to continue.





PAIRING TWO DOWNRIGGERS TOGETHER

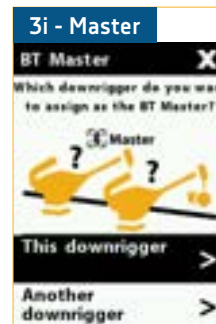
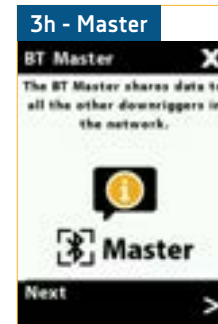
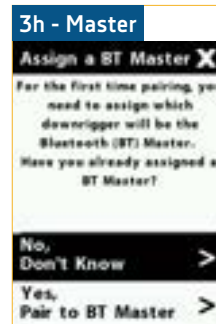
3

h. On the BT Master downrigger, the Color LCD will follow several on-screen prompts outlining criteria for the BT Master/Master downrigger. They include:

- The BT Master shares data to all the other downriggers in the network.
- An optional Fish Hawk probe can only be paired to the BT Master.
- The Cannon mobile app can only be paired to the BT Master.
- Cannon Transducer can only be connected to the BT Master.
- Compatible Humminbird can only be connected to the BT Master.



Press the Right  button to read and continue through these message screens.

i. The final screen will ask, "Which downrigger do you want to assign as the BT Master?" Press the Right  button to select "This downrigger".



PAIRING TWO DOWNRIGGERS TOGETHER

4

- j. On the Master downrigger, a Pair Downrigger screen will be on the Color LCD. Press the Right  button to select it. The Color LCD will bring up a "Pairing Downrigger...." message. The Master downrigger is now actively trying to pair with the Client Downrigger.
- k. On the Client downrigger, a Pair to BT Master screen will be on the Color LCD. Press the Right  button to select it. The Color LCD will bring up a "Pairing Downrigger...." message. When this message displays, the Client downrigger is actively trying to pair to the Master downrigger.
- l. Both downriggers will stay in Pairing Mode for 30 seconds. When they successfully connect, both downriggers will display a Connected message.



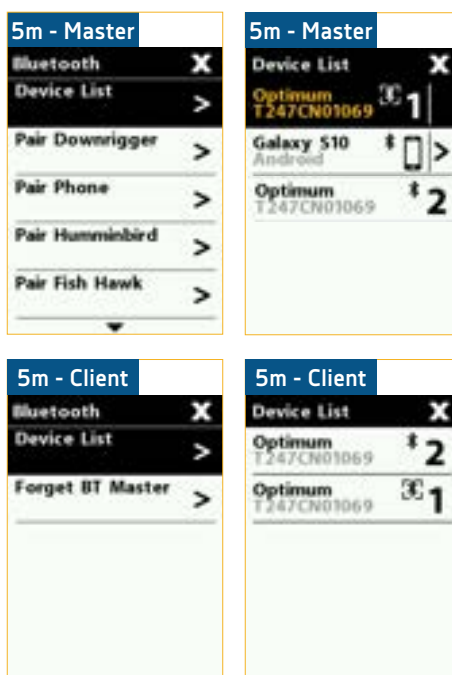
NOTICE: When two downriggers are paired to each other, they will be listed in each other's Device List under the Bluetooth Menu. When two Downriggers are paired, they know each other. In order for the downriggers to detect each other they need to be paired and communicating. When the downriggers are powered "on" and have been paired together, they can connect. When the downriggers are connected they can actively communicate. When the downriggers are powered "off" and have been paired together, they will know each other, but will not be actively communicating.

5

- m. You can also confirm that the downriggers have paired to each other by finding them on the Device List under the Bluetooth Menu. The Master downrigger will appear on the Device List with a box around the Bluetooth icon.

NOTICE: The options listed in the Bluetooth Menu will be different once a downrigger is paired to another downrigger. On the Master downrigger, the option to pair with other downriggers, a device or a Fish Hawk will still be available. On a Client downrigger, the Bluetooth Menu will only allow you to view the Device List or Forget BT Master.

- n. To pair additional downriggers to the Master downrigger, repeat the process with the Master downrigger and the new Client downrigger to be added to the network.




PAIRING THE MASTER DOWNRIGGER TO A HUMMINBIRD

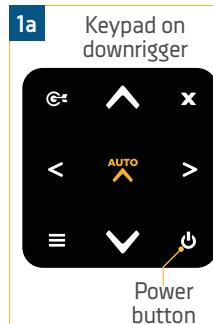


PAIRING THE MASTER DOWNRIGGER TO A HUMMINBIRD >

Pairing a Humminbird to your Master downrigger will allow your downrigger to display features such as Bottom Tracking and give you remote control of your downriggers from the Humminbird display. It is important to install the latest software update on your Humminbird fish finder to enable Cannon features. For the SOLIX Series version 3.710 and later is required and for the HELIX G2N/ G3N Series version 2.250 and later is required. To check for compatibility or update your fish finder, please visit humminbird.com for details. The Humminbird must be paired with the Master downrigger. To pair a Humminbird, follow the steps below:

1




- a. Make sure the Master downrigger is turned "on", by pressing the Power  button on the downrigger keypad.

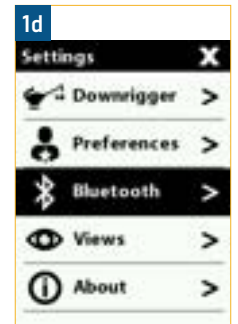
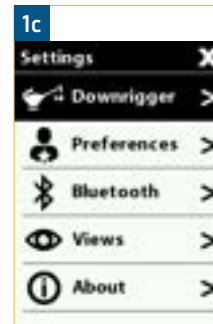


- b. Power on the Humminbird fish finder "on".

On a Solix, press the HOME key. Select the Bluetooth tool. Under Cannon, select Cannon Settings. Select Pair Device.


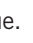

On a Helix, press the MENU key twice. Select the Accessories tab. Select Bluetooth Cannon. Press the RIGHT Cursor key. Select Pair Device. Press the RIGHT Cursor key.

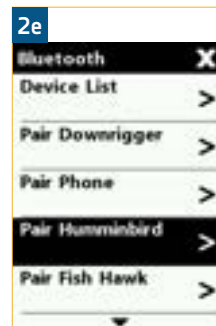
- c. On the Master downrigger, press the Menu  button twice to bring up the Settings Menu on the Color LCD.
- d. From the Settings Menu, use the Down  button to scroll to the item listed Bluetooth. Press the Right  button to open the Bluetooth Menu.



NOTICE: For more specific instructions on how to Pair and operate your Cannon downrigger on your Humminbird fish finder, please refer to the Owner's Manual. It can be found online at humminbird.com.

2

- e. From the Bluetooth Menu, use the Down  button to scroll to the Pair Humminbird option. Press the Right  button to continue.
- f. The Color LCD will bring up a "Pair Humminbird" screen. Use the Right  button to confirm that you want to pair with the Humminbird.
- g. While the downrigger is actively searching for the Humminbird, a "Pairing..." message will show on the Color LCD. Once the pairing is successful, a confirmation screen will appear and the Humminbird is successfully paired.




PAIRING THE MASTER DOWNRIGGER TO A FISH HAWK




PAIRING THE MASTER DOWNRIGGER TO A FISH HAWK >

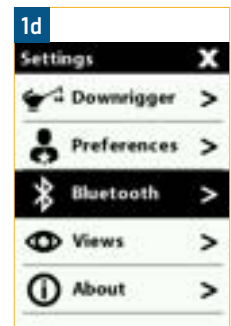
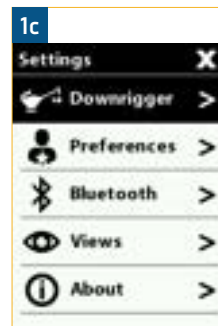
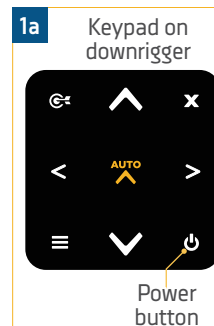
Pairing a Fish Hawk™ X4D System to your Master downrigger will allow your downrigger to display true running depth and the speed of your weight, the temperature at the weight, plus surface temperature and speed. The Fish Hawk must be paired with the Master downrigger. To pair a Fish Hawk, follow the steps below:

1




- Make sure the Master downrigger is turned "on", by pressing the Power  button on the downrigger keypad.
- Power on the Fish Hawk X4D Display. Once powered on the Display will continuously transmit and wait for another device to be connected.

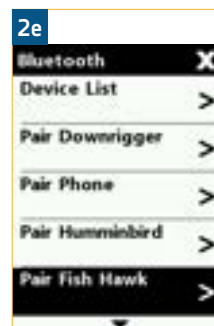
NOTICE: The Fish Hawk X4D System must be paired with the Master downrigger. The Fish Hawk X4D System is the ONLY compatible Fish Hawk System to pair with the downrigger. Other Fish Hawk Systems will not be compatible with the Optimum or Optimum TS downrigger.

- On the Master downrigger, press the Menu  button twice to bring up the Settings Menu on the Color LCD.
- From the Settings Menu, use the Down  button to scroll to the item listed Bluetooth. Press the Right  button to open the Bluetooth Menu.



2

- From the Bluetooth Menu, use the Down  button to scroll to the Pair Fish Hawk option. Press the Right  button to continue.
- The Color LCD will bring up a "Pair Fish Hawk" screen. Use the Right  button to confirm that you want to pair with the Fish Hawk.
- While the downrigger is actively searching for the Fish Hawk, a "Pairing Fish Hawk..." message will show on the Color LCD. Once the pairing is successful, a confirmation screen will appear and the Fish Hawk is successfully paired.



NOTICE: Once the downrigger is paired to the Fish Hawk, both need to be powered on in order for them to communicate. If you wish to remove the Fish Hawk to rebuild the network, or assign a new Master downrigger, you must clear the network on the downrigger and re-pair the Fish Hawk with the new Master downrigger.



FORGETTING A DOWNRIGGER ON A DEVICE



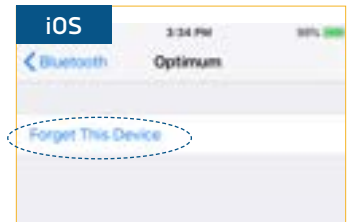
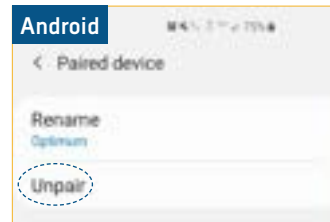
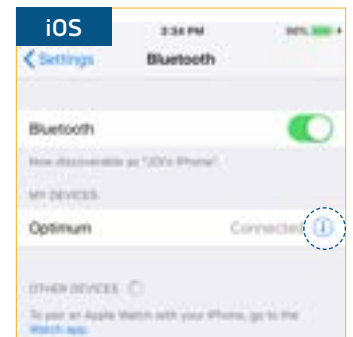
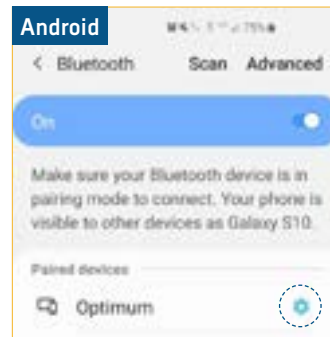
FORGETTING A DOWNRIGGER ON A DEVICE >

Once an Optimum is paired to a device, it will remember the downrigger, even if the device and the downrigger are not actively communicating. In some cases, it may be necessary to clear the memory of the device and forget any paired downrigger. To do this, use the Bluetooth settings on the device.

1

- a. Open the Bluetooth settings on the device.
- b. A list of paired devices will appear. The appearance of the list from an Android to an iOS device will look different.
- c. On an Android device, select the Settings  icon next to the device in the list of Paired Devices. When the next screen appears, find the option to Unpair the device and select it.
- d. On an iOS device, select the “i”  icon next to the device in the list of My Devices. When the next Screen appears, find the option to Forget this Device and select it.
- e. Once the device is unpaired or forgotten, the device is no longer paired or communicating with the device and will not be visible to the Cannon app or the device.

NOTICE: Images are for illustrative purposes and may vary based on your device and operating system.






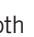



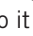


FORGETTING A DEVICE, HUMMINBIRD, FISH HAWK OR DOWNRIGGER ON A DOWNRIGGER

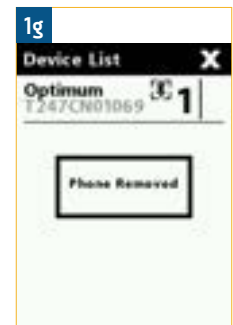
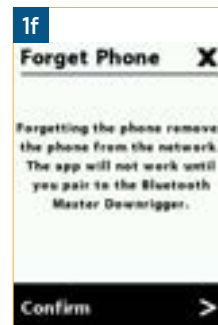
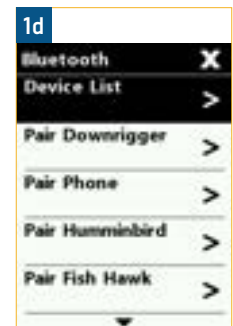
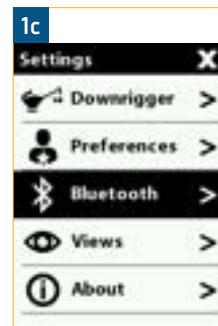
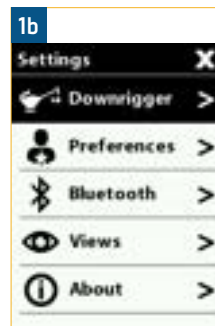
FORGETTING A DEVICE, HUMMINBIRD, FISH HAWK OR DOWNRIGGER ON A DOWNRIGGER >

Once a device is paired to a Optimum, it will remember the device, even if the device and the downrigger are not actively communicating. This is also true for two downriggers paired together or a downrigger paired to a Humminbird fish finder or Fish Hawk X4D System. In some cases, it may be necessary to clear the memory of the downrigger and forget any paired devices or downriggers. To do this, use the Settings Menu on the downrigger.


NOTICE: To remove a specific device, Fish Hawk, Humminbird or downrigger from the downrigger network, remove them one at a time by using the options in the Device List. To remove everything paired to a specific downrigger, follow the "Clearing the Downrigger Network" section of these instructions.

1

- Turn the Master downrigger "on", by pressing the Power  button on the keypad.
- On the downrigger keypad, press the Menu  button twice to bring up the Settings Menu on the Color LCD.
- From the Settings Menu, use the Down  button to scroll to the item listed Bluetooth. Press the Right  button to open the Bluetooth Menu.
- From the Bluetooth Menu, use the Down  button to scroll to the Device List option. Press the Right  button to continue.
- From the Device List, select the device, Humminbird, Fish Hawk or downrigger that the downrigger should forget. Use the Down  button or the Up  button to scroll to it in the list. Use the Right  button to select it.
- Once selected, the downrigger Color LCD screen will bring up a Forget Phone, Forget Humminbird, Forget Fish Hawk or Forget Downrigger screen. Use the Right  button to Confirm that the downrigger should forget the equipment selected.
- The downrigger will flash a message Phone Removed, Humminbird Removed, Fish Hawk Removed or Downrigger Removed to confirm it was deleted from memory.



NOTICE: Forgetting the phone, Humminbird, Fish Hawk or downrigger removes them from the network. The Cannon app will not work until you pair the device with the Cannon app to the Bluetooth Master downrigger.

NOTICE: To exit the menu, press the Close  button on the downrigger keypad.








CLEARING THE DOWNRIGGER NETWORK

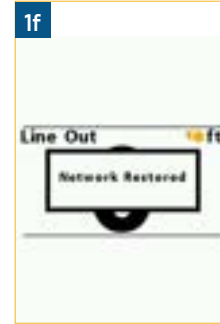
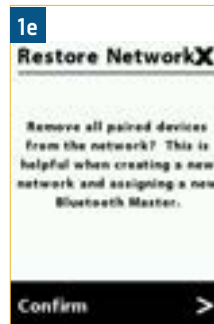
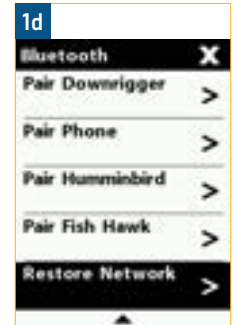
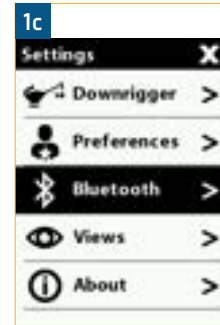
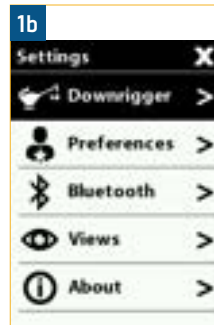


CLEARING THE DOWNRIGGER NETWORK >

Once a device or downrigger is paired to a Optimum, it will remember them, even if the device or downrigger are not actively communicating with the downrigger they are paired with. In some cases, it may be necessary to clear the memory of the Master downrigger and forget any paired devices and downriggers on the Fish Hawk. To do this, use the Settings Menu on the Master downrigger. Devices on a Cannon network may include the Fish Hawk 4XD System, another downrigger, or a paired device. Restoring the network on the downrigger is helpful when creating a new network or assigning a new Bluetooth Master. Restoring the network helps to clear everything that is paired all at once. If you wish to clear only one specific paired item on the network, use the instructions for "Forgetting a Device, Humminbird, Fish Hawk or Downrigger on a Downrigger" section of these instructions.

1

- a. Turn the Master downrigger "on", by pressing the Power  button on the keypad.
- b. On the downrigger keypad, press the Menu  button twice to bring up the Settings Menu on the Color LCD.
- c. From the Settings Menu, use the Down  button to scroll to the item listed Bluetooth. Press the Right  button to open the Bluetooth Menu.
- d. From the Bluetooth Menu, use the Down  button to scroll to the Restore Network option. Press the Right  button to continue.
- e. Once selected, the downrigger Color LCD screen brings up a Restore Network screen. Use the Right  button to Confirm that the downrigger should forget all devices on the network.
- f. The downrigger will flash a message Network Restored to confirm that all devices and downriggers were deleted from memory.










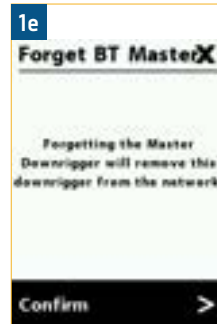
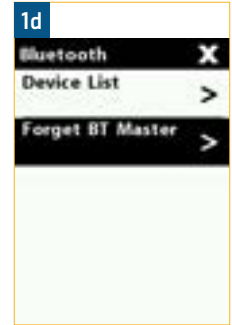
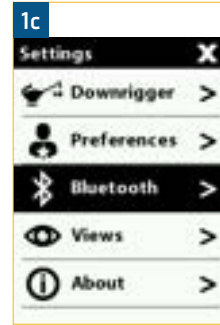
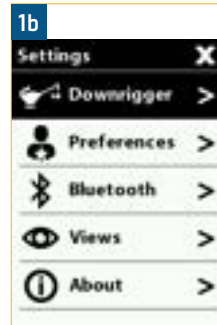
CLEARING THE MASTER DOWNRIGGER FROM THE CLIENT DOWNRIGGER

CLEARING THE MASTER DOWNRIGGER FROM THE CLIENT DOWNRIGGER

It may be necessary to remove a Client downrigger from the network. This can be accomplished without interrupting the rest of the network simply by removing the Master downrigger from the Client downrigger. This may be helpful when moving one Client downrigger to a different network, or replacing one downrigger in an existing network with a new one.

1

- a. Turn the Client downrigger "on", by pressing the Power  button on the keypad.
- b. On the downrigger keypad, press the Menu  button twice to bring up the Settings Menu on the Color LCD.
- c. From the Settings Menu, use the Down  button to scroll to the item listed Bluetooth. Press the Right  button to open the Bluetooth Menu.
- d. From the Bluetooth Menu, use the Down  button to scroll to the Forget BT Master option. Press the Right  button to continue.
- e. Once selected, the downrigger Color LCD screen bring up a Forget BT Master screen. Use the Right  button to Confirm that the downrigger should forget the Master downrigger.
- f. The downrigger will flash a message Downrigger Removed to confirm that it was deleted from memory.



NOTICE: Forgetting the Master downrigger will remove this downrigger from the network.

UPDATING THE CANNON APP & DOWNRIGGERS IN A NETWORK




UPDATING THE CANNON APP & DOWNRIGGERS IN A NETWORK >

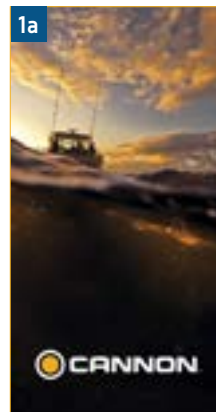
Any updates to the Optimum downrigger will be made through the Cannon app from a paired Mobile Device. If the downrigger is not connected to a device, refer to the "Pairing a Device to a Single Downrigger" section in these instructions. Before updating the downrigger, check for updates to the Cannon app on the Mobile Device by looking for updates on iOS devices through the Apple App store or Android devices through the Google Play store. Any updates to the Cannon app need to be completed before continuing to check in the app for updates to the downrigger software. Be sure that the downrigger is paired and communication with the Mobile Device and that all downriggers are powered "on". When updating a downrigger that is paired to other downriggers, it is best to send the update to the Master downrigger. The Master downrigger will push the update to the paired Client downriggers it is networked with. See the Cannon app section of these instructions (pg 85) for more information on how to use the Cannon app.

1

- a. Open the Cannon app on the Mobile Device.

NOTICE: If you are not connected to the downriggers, you may select "Demo Mode" in the Cannon app to reach the Software Updates option. You may then Select the grayed out Optimum to identify current installed version or newest available update.

- b. From the app, open the Menu by pressing the Menu  button. The Menu button is found in the upper left corner of the app.
- c. From the Menu, select the Software Update option.



2

- d. In the Software Update screen, the app will identify if an update is available. It will also list all downriggers in the network and what version of software they contain. If an update is identified, it will display a "Download" button. Select the update button to Download the update to the Cannon app.
- e. If the update to the Cannon app contains a software update for the Cannon Optimum downrigger, the Software Update screen will then display a "Transfer" button. Double check that the Optimum downriggers are powered on and all connected to the network.

NOTICE: Downriggers must be powered on to accept software updates.

- f. Selecting the "Transfer" button will transfer the software update for the Optimum to the downrigger.



NOTICE: Downloading the update to the mobile device requires to be connected to WiFi or cellular data. Once the new update has downloaded to the device, transferring the update to the downrigger can be done without WiFi or cellular data, through the network.

UPDATING THE CANNON APP & DOWNRIGGERS IN A NETWORK

3

- g. Both the Cannon app and the downrigger will alert that the software update is transferring to the downrigger.
- h. When the update has completed transferring to the downrigger(s), the downrigger(s) will reboot. The Master downrigger will communicate the update transferred from the Cannon app to all paired Client downriggers.

NOTICE: Do not interrupt power during software update. Downrigger will reboot once installation is complete.



FISHING WITH THE DOWNRIGGER

CONNECTING THE CANNON TRANSDUCER >

The Cannon Transducer (Item #1491072) is an optional accessory available for your Optimum and Optimum TS downrigger. By installing the Transducer, the Optimum is able to display water depth and use the Bottom Track feature. Proper transducer installation is critical to the performance of the Bottom Tracking feature. For best results, follow all mounting instructions included with the Cannon Transducer carefully, before beginning the directions below, to connect the Transducer to the Optimum downrigger.

NOTICE: Power to the Optimum should be turned "off" before installing the Cannon Transducer.

Once the Transducer is installed according to the provided instructions, route the Transducer Cable to your downrigger. When routing the Transducer Cable give consideration to the following:

- Route the Transducer Cable in a way that will not cause damage to the cable jacket.
- Keep the Transducer Cable away from ignition, tachometer, alternator and other electrical wiring to prevent interference.
- Do not cut, splice or shorten the Transducer Cable. Coil the excess cable into a loop like a figure 8 and loosely secure it in place where it will not be a tripping hazard or be damaged from external forces. Do not kink the cables.
- Connecting the Cannon Transducer to a Bluetooth enabled downrigger that is networked to one or more downriggers will make it the Master downrigger. If a Master downrigger already exists in the downrigger network, connecting the transducer to any other downrigger in the network, except for an existing Master downrigger will disrupt the network. See the "Connecting the Downrigger" section of these instructions for more information on downrigger connectivity and Master downriggers.



WARNING

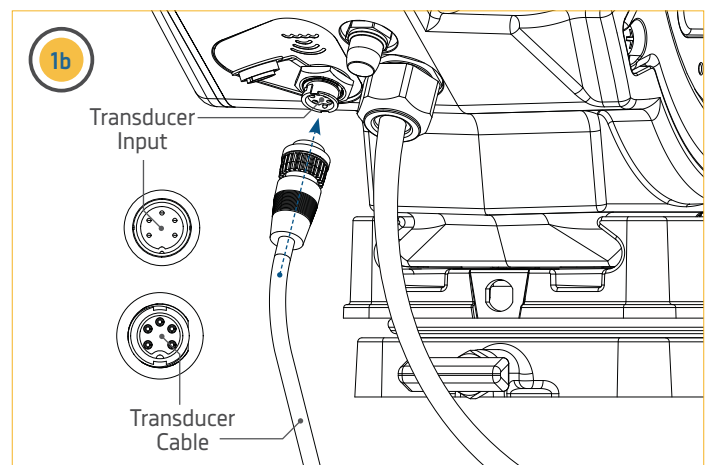
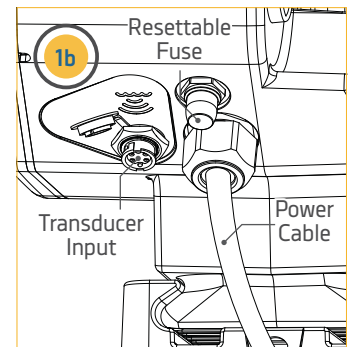
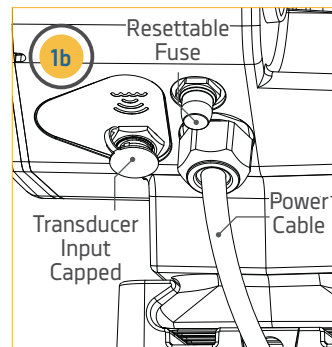
Cutting, splicing or shortening of the Transducer Cable, including removing the connector, voids the product warranty.

1

- a. Before connecting the Cannon Transducer to the Optimum, make sure that the Optimum downrigger is turned "off".

NOTICE: The Transducer Cable should be connected before the downrigger is powered "on".

- b. Review the Transducer Cable routing considerations above and route the Transducer Cable in the boat so that it reaches the downrigger following the guidelines provided.
- c. Locate the Transducer Input on the bottom side of the downrigger body. The Transducer Input is located just to the left of where the Power Cable exits the downrigger body. The Transducer Input is covered by a tethered Cap to keep the downrigger body water tight. Remove the Cap so that the Transducer Cable from the Cannon Transducer can be plugged in.
- d. Examine the Transducer Input and the end of the Transducer Cable coming from the Cannon Transducer. Notice how the connection is keyed. Align the keys and press the connection firmly together.



ATTACHING THE SNAP ASSEMBLY WITH INSULATOR

ATTACHING THE SNAP ASSEMBLY WITH INSULATOR >

The Snap Assembly with Insulator is used to break any electrical connection between the downrigger and the water. This insulator is used with the Short Stop and Positive Ion Control features of the downrigger.

Short Stop is a Cannon exclusive feature that automatically stops the weight at the water's surface, preventing the lift motor from raising it into the pulley at the end of the boom. When the downrigger line is in the water, a small electrical current flows between the line and grounded metal boat components in the water. When the line clears the water, the current flow stops. The Short Stop system senses this interruption and turns off the motor. The trolling weight insulator is used to break the line contact to the water while the weight is still in the water. Stopping the weight at water level eliminates the line strain caused by a bouncing weight or a weight hitting the boom end and it also prevents the weight from swinging into the boat hull. This feature comes on all Cannon electric downriggers and requires the boat to be properly grounded and the use of an electrically conductive cable such as stainless steel. This feature will not work with mono or braided lines.

Positive Ion Control is a feature that is based on the principle that applying a low voltage positive electrical field into the water where you're fishing will attract fish and increase your chances to catch more fish. Since fish are attracted by a slight positive charge and repelled by a strong positive or negative charge, generating and controlling the correct charge can be critical to the success of your fishing. When PIC is turned on and the downrigger is spooled with line that can conduct an electrical current, the insulator helps to break the connection with the water so that the positive electrical field emitting from the downrigger line is broken.

1

Item(s) needed:



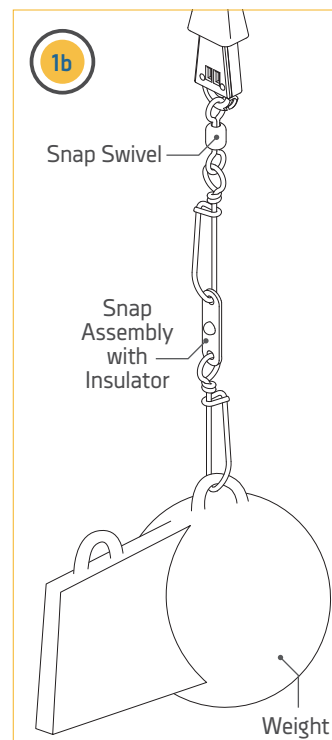
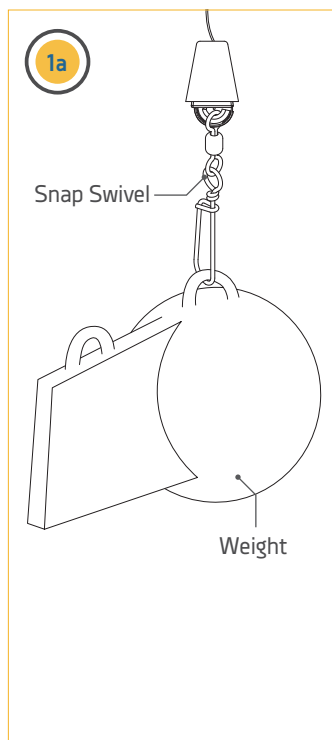
#34 x 1

- Before attaching the Snap Assembly with Insulator, complete the Terminating the Downrigger section of these instructions. The properly terminated line can have a weight attached directly to it.
- To begin, make sure that a weight is not attached to the Snap Swivel. Then take the Snap Assembly with Insulator (Item #34) and attach it to the Snap Swivel.
- The Weight can then be attached to the Snap Assembly with Insulator.

NOTICE: In some cases it may be necessary to use two Snap Assembly with Insulators connected consecutively to break the electrical connection with the water.

CAUTION

Do not overload the downrigger. It is designed to retrieve a maximum of 20 lb. weights only.



ATTACHING A LINE RELEASE



ATTACHING A LINE RELEASE >

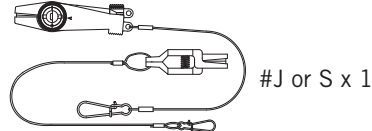
The last step in prepping the downrigger for fishing is to attach a Line Release. To attach the Line Release, first attach a Cannon Weight and then follow the steps below:



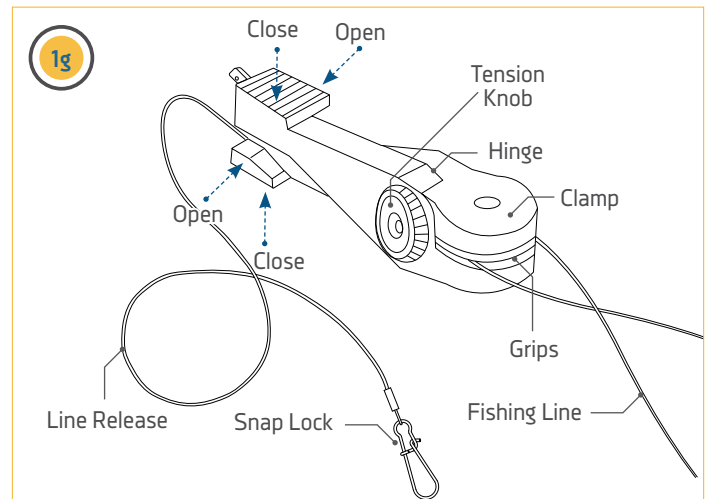
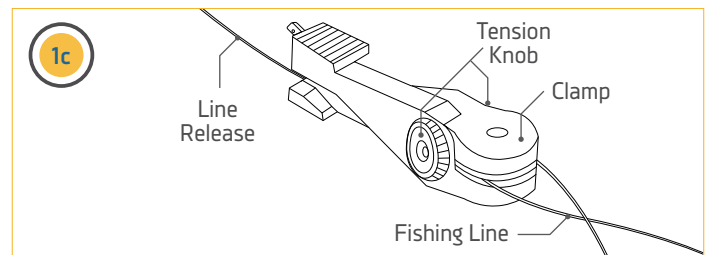
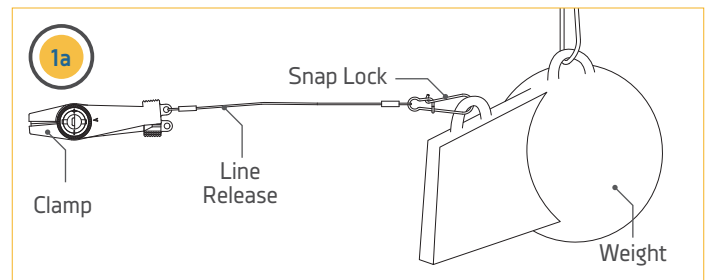
To watch a video on how to attach a Line Release, follow the link on-line at <https://youtu.be/qpONbVgbbt8>

1

Item(s) needed:



- Take the Release (Item #J or #S) and attach the Snap Lock end of the Line Release to the Weight.
- Release some line from the fishing rod and reel so that the lure is anywhere from 5 to 100 feet behind the boat. Determine a distance for the line from the fishing pole to drop back from the Weight and select a point for the line to be attached.
- Twist a loop in the fishing line at the point that the line would be attached. Attach the line from the fishing rod firmly into the Clamp of the Line Release at the loop created in the fishing line.
- Click through a series of increasing tension settings on the Clamp. The Line Release can be used with any test line on salt or fresh water and may be adjusted from 2 to 22 pounds of grip tension on the line.
- Once the Line Release is attached to the fishing line, make sure the Fishing Rod is held securely or placed in a holder and open the reel so that line can draw out.
- Then set the downrigger depth to lower the Weight to the desired depth in the water.
- Once the downrigger Weight is at the desired depth, reel up the slack on the fishing line so that your fishing rod has a slight bend in it. When a fish strikes the lure, the line will separate from the Line Release. Then the fishing line will be free to fight the fish and bring it up on the rod and reel.



NOTICE: To change the Freshwater Line Release tension, turn the Tension Knob towards (+) to increase or (-) to decrease. Tension also may vary according to where the line is placed in the Grips of the Clamp. Higher tension is on the line if it is set back toward the Hinge, and lower if set closer to the opening. To open the Line Release, spread the Release Arms with thumb and forefinger applying pressure to the sides.

This completes the installation of your Optimum. A complete Owner's Manual can be downloaded at cannondownriggers.com.

RECOMMENDED ACCESSORIES

ROD HOLDERS & TRACK SYSTEMS

Incredible versatile rod holders, rock-solid bases and plates. It's everything you need to rig your boat up to fit the way you fish - and you can mount it all up on our track system, which features interchangeable components made of high-strength aluminum.



Dual Axis Adjustable Rod Holder



Aluminum Mount Track



Swivel Base Pedestal

MOUNTS

Rig it up and reel 'em in with a variety of mounting options suited to fit the way you fish.



Swivel Base



Deck Plate



Gimbal Mount

LINE RELEASES & WEIGHTS

We offer a wide variety of downrigger accessories designed to give you the best fishing experience:



- Uni-Line Release
- Uni-Stacker Release
- 4 to 12 lb. weights

For a complete listing of Cannon accessories, visit cannondownriggers.com



cannondownriggers.com

Part #3397138



Cannon Consumer & Technical Service
Johnson Outdoors Marine Electronics, Inc.
PO Box 8129
Mankato, MN 56002-8129

ECN 42094

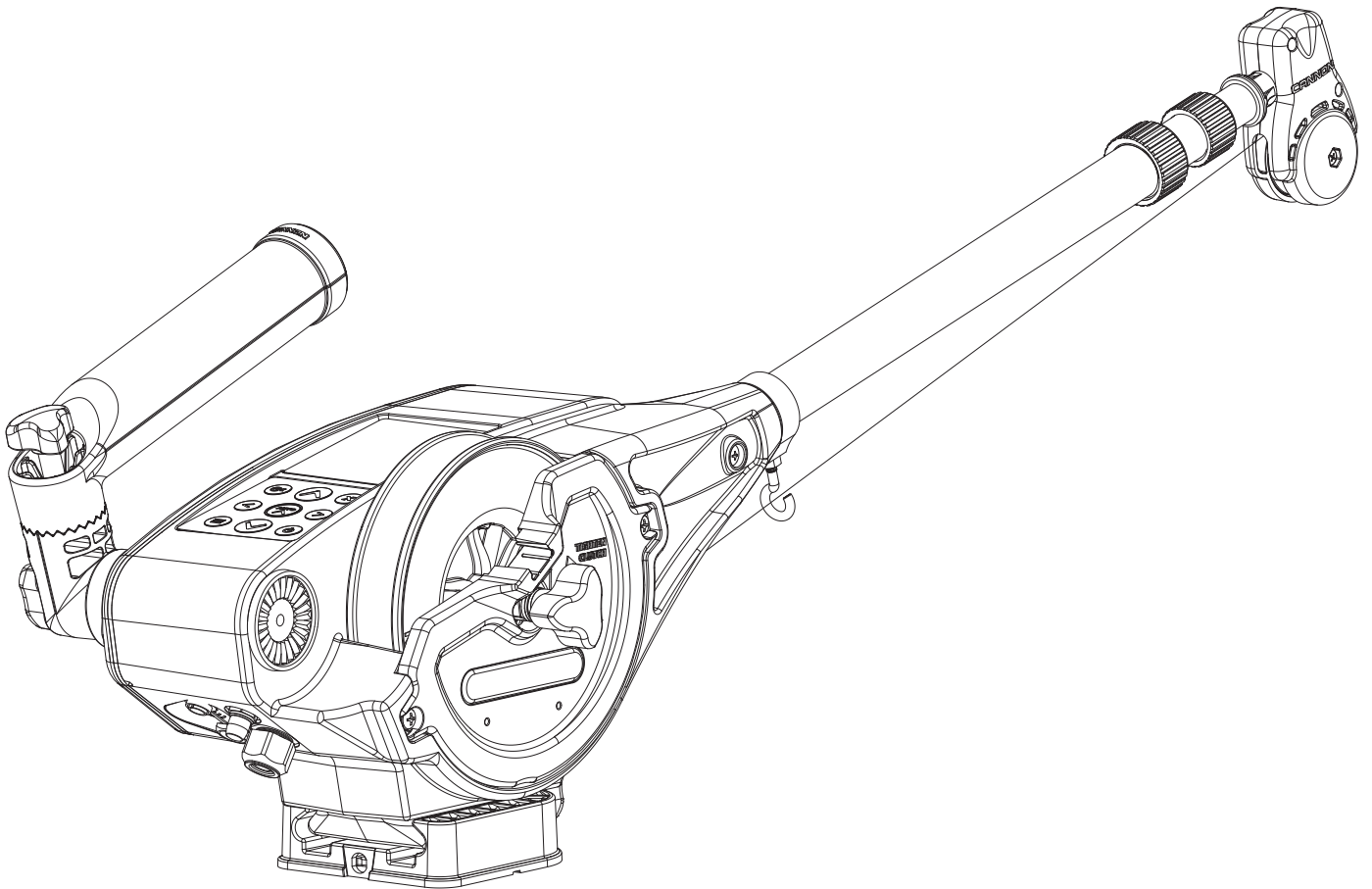
121 Power Drive
Mankato, MN 56001
Phone (800) 227-6433
Fax (800) 527-4464



©2021 Johnson Outdoors Marine Electronics, Inc.
All rights reserved.

Rev D

08/21



OPTIMUM^{MC} OPTIMUM^{MC} TS

TREUILS DE PÊCHE ÉLECTRIQUES

Instructions d'installation

PRÉSENTATION

MERCI

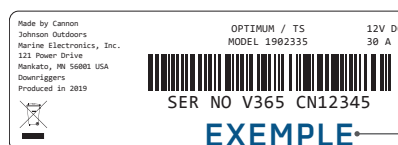
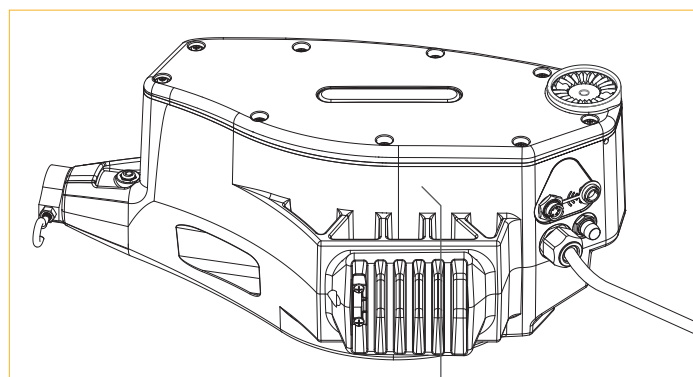
Merci d'avoir acheté un treuil de pêche Cannon. Nous avons conçu votre nouveau treuil de pêche pour qu'il soit un outil précis et fiable qui vous permettra d'améliorer le contrôle de la pêche et d'accroître votre capacité d'attraper des poissons. Nous espérons que vous aimerez utiliser notre nouveau treuil de pêche et que vous profiterez des avantages de la pêche en profondeur contrôlée pendant des années en respectant toujours les pratiques sécuritaires et les lois en matière de navigation toutes les fois que vous pêcherez.

ENREGISTREMENT

N'oubliez pas de conserver votre reçu et d'enregistrer immédiatement votre treuil de pêche. Une fiche d'enregistrement est fournie avec votre treuil de pêche, par ailleurs vous pouvez effectuer l'enregistrement en ligne à cannondownriggers.com.

NUMÉRO DE SÉRIE

Le numéro de série à 11 caractères Cannon est très important. Cela permet de déterminer le modèle spécifique et l'année de fabrication. Lorsque vous contactez le service à la clientèle ou que vous enregistrez votre article, vous aurez besoin du numéro de série de votre article. Nous vous suggérons d'inscrire le numéro de série dans l'espace fourni ci-dessous afin qu'il soit disponible ultérieurement.



AVIS : Le numéro de série sur votre treuil de pêche Cannon Optimum se trouve sur le fond du cadre du treuil de pêche. Vous pouvez aussi le trouver sur l'écran About (À propos) dans le système d'exploitation du treuil de pêche Cannon.

INFORMATIONS SUR LE PRODUIT *(À des fins de référence par le client seulement)*

Modèle : _____

Numéro de série : _____

Date de l'achat : _____

Magasin où l'achat a été effectué : _____

CONSIGNES DE SÉCURITÉ

Veillez lire attentivement ce manuel de l'utilisateur. Suivez toutes les instructions et tenez compte de toutes les consignes de sécurité et les mises en garde décrites ci-dessous. L'utilisation de ce treuil de pêche n'est autorisée que pour les personnes qui ont lu et compris ces consignes pour l'utilisateur. Les mineurs peuvent utiliser ce moteur uniquement sous la supervision d'un adulte. Enregistrez ces instructions.

AVERTISSEMENT

Vous seul êtes responsable de la navigation sécuritaire et prudente sur votre bateau. Nous avons conçu votre produit Cannon pour qu'il soit un outil précis et fiable qui vous permettra d'améliorer l'utilisation de votre bateau et d'accroître votre capacité de pêcher des poissons. Ce produit ne vous exonère pas de la responsabilité de naviguer en toute sécurité avec votre bateau. Vous devez éviter les dangers liés à la navigation et toujours exercer une veille permanente afin de pouvoir réagir au fur et à mesure que les situations se présentent. Vous devez toujours être prêt à reprendre le contrôle manuel de votre bateau. Apprenez à utiliser votre produit Cannon dans une zone exempte de dangers et d'obstacles.

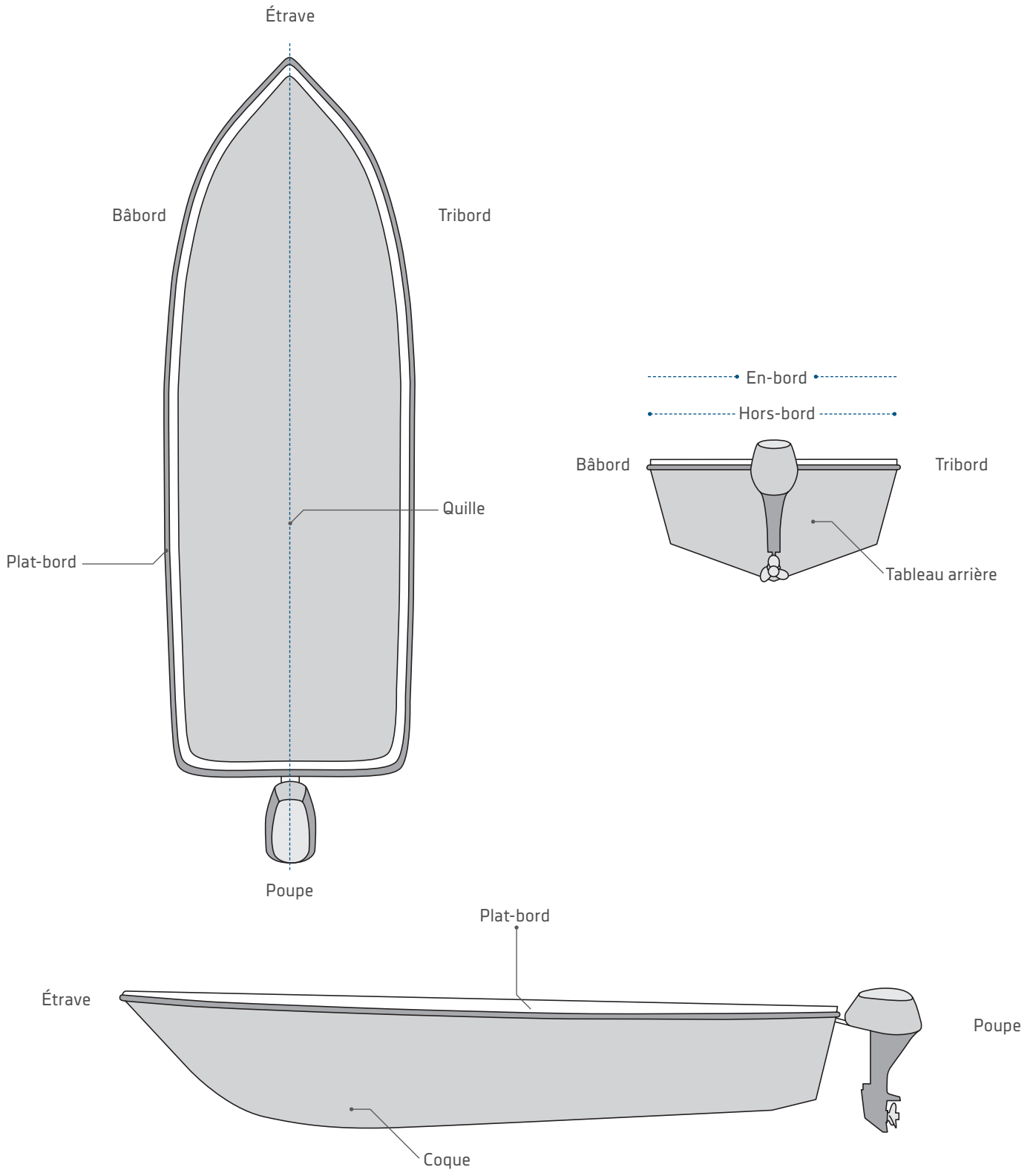
AVERTISSEMENT

Nous recommandons d'utiliser exclusivement les accessoires approuvés par Johnson Outdoors avec votre Cannon. L'utilisation d'accessoires non approuvés, y compris pour monter ou contrôler votre produit, pourrait causer des dommages, un fonctionnement inattendu et des blessures. Veillez à utiliser le produit et tous les accessoires approuvés, y compris les télécommandes ou dispositifs, en toute sécurité et de la manière indiquée afin d'éviter la mise en marche accidentelle ou inattendue. Ne retirez pas les pièces installées en usine, y compris les couvercles, boîtiers et protections du moteur et des électroniques et des accessoires. Le défaut de respecter cet avertissement pourrait affecter la garantie.

AVERTISSEMENT

Ne touchez pas au moulinet/bobine pendant que le treuil de pêche est en usage. Le tenir ou le toucher peut entraîner des blessures de modérées à graves.

CONNAISSEZ VOTRE BATEAU



INSTALLATION

INSTALLATION DE L'OPTIMUM^{MC}

Votre nouveau Cannon Optimum est livré avec toute la quincaillerie qu'il vous faut pour l'installer directement sur le bateau. Cannon recommande l'installation de votre treuil de pêche en utilisant une tôle de pont et offre aussi une gamme d'accessoires permettant de personnaliser votre installation. Lisez ces instructions d'installation pour en apprendre plus et visitez cannondownriggers.com pour une liste complète des accessoires. Pour installer le treuil de pêche directement sur le bateau, veuillez suivre les instructions fournies dans ce manuel. Avant de commencer, veuillez examiner la liste des pièces et des outils nécessaires à l'installation. Pour du soutien supplémentaire pour le produit, veuillez visiter cannondownriggers.com.

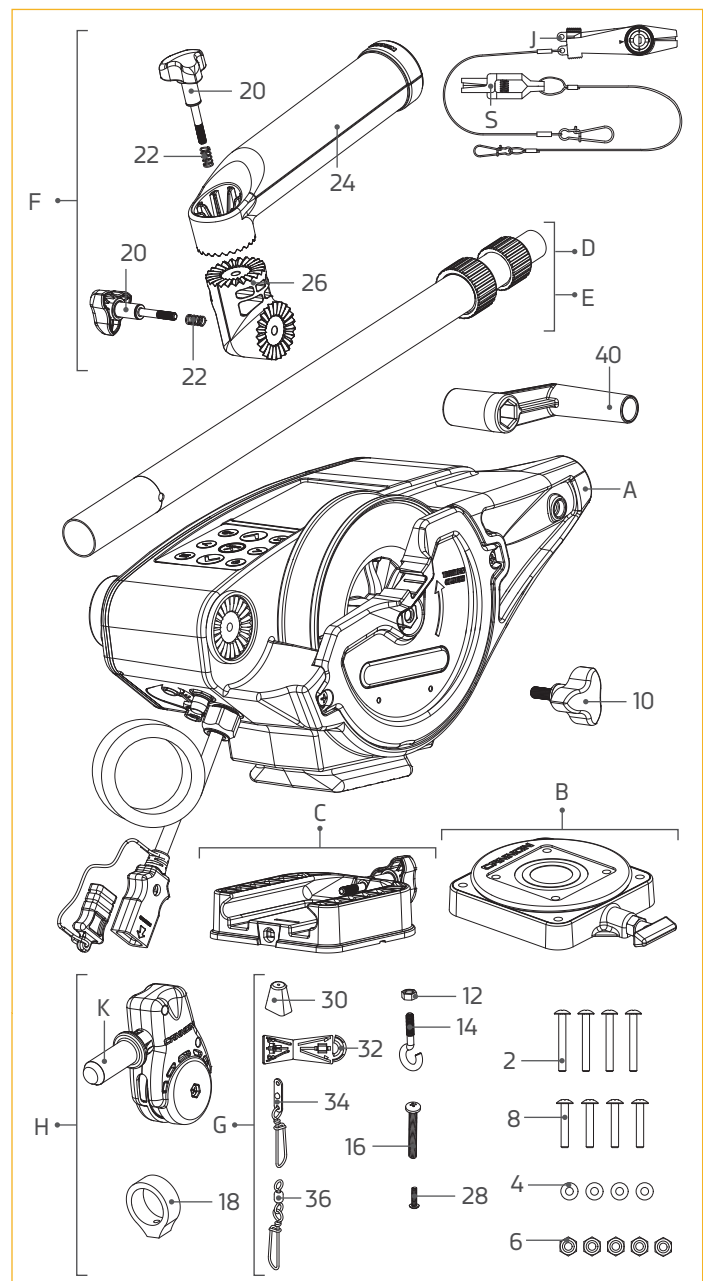
LISTE DE PIÈCES D'INSTALLATION

Article/ Assemblage	N° de pièce	Description	Qté
A	✘	CANNON DOWNRIGGER ASSEMBLY	1
B	3991913	CNN ASSY, SWIVEL BASE	1
C	3991930	ASSY-CNN, MNT BASE	1
D	3392010 ◆	ASSY, BOOM TELESCOPIC, SS *TS*	1
E	2210821	ASY BOOM TELESCOPIC	1
F	3991904 ✚	ASSY-CNN, ROD HOLDER	1/2
G	3994807	ASSY-BAG, DT PRO/MAG ST	1
H	3994815	BAG ASSY, BOOM END	1
J	2277002	ASY HDW RELEASE UNIVERSAL	2
S	2200109 ◆	SALTWATER RELEASE, OR8 BE *TS*	2
2	9280720	HDW SCR 1/4 20X2 TRUSS HD PHIL	4
4	2371712	WASHER-FLAT 9/32 X 5/8 X 1/16	4
6	2263103	NUT-1/4-20 NYLOCK SS	5
8	9280713	HDW SCR 1/4 20X1 1/2 TRUSS HEA	4
10	3390103	KNOB, SOFT GRIP, CLUTCH	1
12	2263102	NUT-HEX 1/4-20 SS 300SRS	1
14	9040040	HDW BOLT 1/4-20 ROLLEDTHD HOOK	1
16	3393461	SCREW-1/4-20 x 2" SS, PPH	1
18	3397900	BALL HOOK EXTRUSION	1
20	3390101	KNOB-CANNON, SOFT GRIP	2/4
22	2287002	HDW SPRING RELEASE PIN	2/4
24	3392033	TUBE, DUAL AXIS RD HLDR	1/2
26	3394200	ARM, DUAL AXIS-ROD HLDR	1/2
28	2372100	SCREW-#8-18 X 5/8 THD* (SS)	1
30	9100101	CUSHION SLEEVE TERMINATOR	1
32	9100100	CON TERMINATOR	1
34	2200148	ASY SNAP & INSULATOR	1
36	9100620	HDW SNAP SWIVEL 4/0-37 MARLIN	1
K	3990200	ASSY-CNN, BOOM END	1
40	3390910	HANDLE-CRANK, MANUAL	1
42	3397138 ▲	INSTRCT, INSTALL, OPTIMUM	1
44	3397139 ▲	MANUAL DISCLAIMER DWNLOAD INFO	1
46	3397150 ▲	QUICK REF. GUIDE, OPTIMUM	1

▲ Non visible sur le schéma des pièces.

✘ Cette pièce est incluse dans un ensemble et ne peut pas être commandée individuellement.

✚ Un seul assemblage est offert avec le Cannon Optimum TS de tournon.



◆ Disponible seulement avec le treuil de pêche de la série Optimum TS.

INSTALLATION



FACTEURS À CONSIDÉRER LORS DU MONTAGE

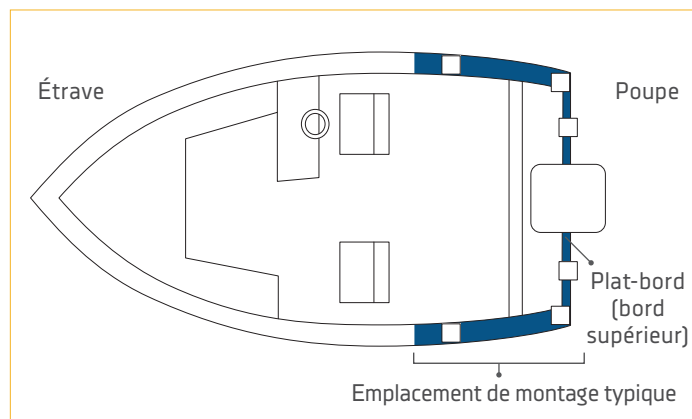
Avant de monter un treuil de pêche Cannon, veuillez considérer les facteurs suivants :

- 1. Un emplacement de montage dégagé** - Choisissez un bon emplacement sur votre bateau pour monter le treuil de pêche. Les treuils de pêche sont montés sur le plat-bord du bateau. Assurez-vous que la zone sous l'emplacement de montage est dégagée afin de pouvoir percer les trous et installer les rondelles et les écrous. Assurez-vous que l'emplacement de montage ne contient pas de câbles ou de fils ni d'éléments structurels critiques. Les pièces mobiles du treuil de pêche, comme la flèche télescopique, doivent être placées de manière à ce que le poids soit assez loin du bord du bateau afin

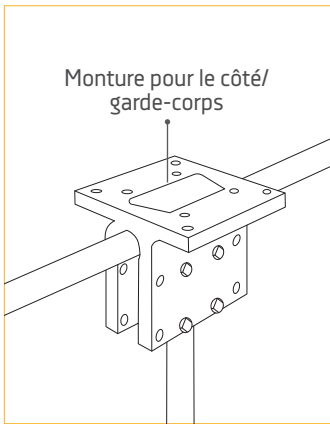
qu'aucun obstacle ne puisse nuire au fonctionnement du treuil. Dans certains cas, le profil du plat-bord est surélevé, ce qui peut empêcher le treuil de pêche de bien reposer complètement sur la surface du plat-bord. Il sera peut-être nécessaire de tailler ou de couper autour de ces zones pour terminer l'installation. Des accessoires de montage sont recommandés pour accommoder les différences entre les emplacements et les conditions de montage.

- 2. Utilisation du treuil de pêche** - Considérez l'utilisation du treuil de pêche à l'emplacement de montage choisi. Un treuil de pêche devrait être monté dans un endroit où il est facile d'observer votre canne à pêche et de réagir rapidement pour faire fonctionner le treuil de pêche lorsqu'un poisson est attrapé sur la ligne. Il devrait y avoir suffisamment d'espace pour utiliser le treuil de pêche confortablement et avec une bonne ergonomie. Il devrait être facilement accessible tout en gardant la maîtrise du bateau et pour récupérer le gréement. L'emplacement de la flèche télescopique, du poids et du porte-canne lorsqu'il est complètement installé ne devrait pas être comporter d'obstructions. Les câbles d'alimentation doivent pouvoir atteindre leur source d'alimentation prévue à partir de l'emplacement de montage. Lors de l'installation de plusieurs treuils de pêche, considérez l'espacement entre les treuils. Montez le treuil de pêche à un endroit permettant l'acheminement facile des câbles du transducteur et des autres accessoires du treuil, soit vers une source d'alimentation, soit vers le sonar. Assurez-vous que l'emplacement de montage ne cause pas de dangers de trébuchement en raison des câbles d'alimentation ou des accessoires durant l'utilisation.

- 3. Accessoires de montage** - Considérez l'utilisation d'un accessoire de montage lors de l'installation de votre treuil de pêche. Considérez l'emplacement et l'angle de la canne à pêche lorsque le treuil est complètement installé sur la surface de montage. Une tôle de pont est recommandée afin d'offrir un support adéquat et de maximiser la capacité du produit. Cannon offre une gamme complète d'accessoires de montage qui vous permettent d'optimiser votre installation en fonction de la façon dont vous pêchez. Avant d'effectuer des modifications permanentes à votre bateau, songez aux accessoires qui pourraient être utilisés pour votre application. Pour voir la gamme complète d'accessoires de montage, consultez les explications dans ce manuel ou visitez cannondownriggers.com.

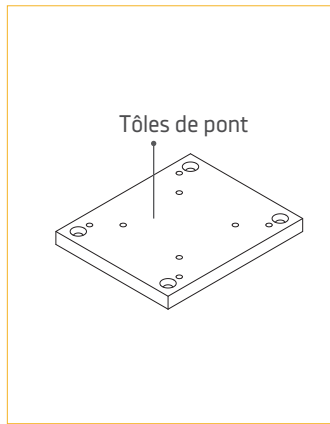


AVIS : Lors de l'utilisation de la flèche télescopique, nous recommandons fortement d'utiliser une tôle de pont sur tous les bateaux afin d'assurer la stabilité adéquate du treuil de pêche.



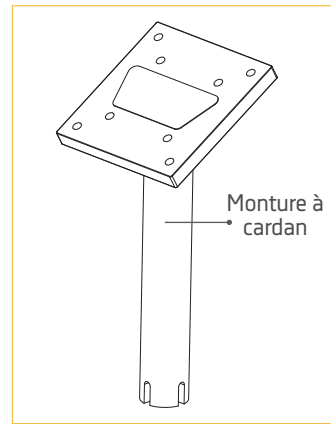
MONTURE POUR CÔTÉ/ GARDE-CORPS

Elle peut être montée sur une section en T. Les montures pour côté/garde-corps (n° de pièce 2250940) peuvent aussi être utilisées au joint bout à bout de deux sections de garde-corps. Dans les deux situations, il est recommandé d'utiliser un matériau antidérapant, comme du caoutchouc ou un morceau de bois mince entre les surfaces métalliques.



TÔLES DE PONT

Les tôles de pont Cannon empêchent le fléchissement et augmentent la stabilité des ponts. Elles sont recommandées pour fixer le treuil de pêche lors de l'installation initiale ou pour le montage d'accessoires. Elles sont nécessaires pour renforcer le matériau de base du bateau. Les options incluent les tôles de pont (article n° 2200693).



MONTURES À CARDAN

Elles sont conçues pour s'insérer dans les porte-cannes de taille moyenne encastrés dans le plat-bord des bateaux de pêche de plus grande taille et des bateaux de croisière de plaisance. L'utilisation de ce système de montage temporaire doit se limiter aux porte-cannes robustes et de grande qualité. Les montures à cardan sont offertes avec des poteaux de 9 po (22,8 cm) ou de 12 po (30,5 cm) en acier ordinaire (article n° 2250927 et 2250928) et en acier inoxydable (article n° 1903005 et 1903006).

OUTILS ET RESSOURCES NÉCESSAIRES

- Mèche de 9/32 po (7 mm)
- Crayon, marqueur ou autre instrument de marquage similaire
- Perceuse
- Clé polygonale de 7/16 po (11 mm)
- Coupe-fils
- Pince
- Tournevis cruciforme n° 3
- Pince à bec effilé
- Ruban à masquer
- Composé antigrippage
- Une deuxième personne pour vous aider avec l'installation

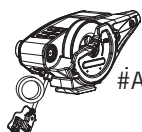
INSTALLATION DE LA BASE

INSTALLATION

INSTALLATION DE LA BASE >

1

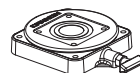
Articles requis :



#A x 1



#C x 1



#B x 1

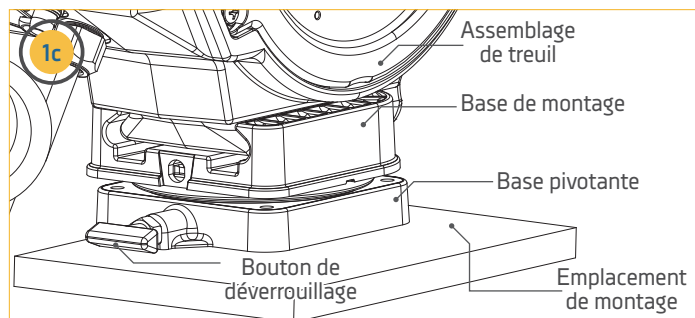
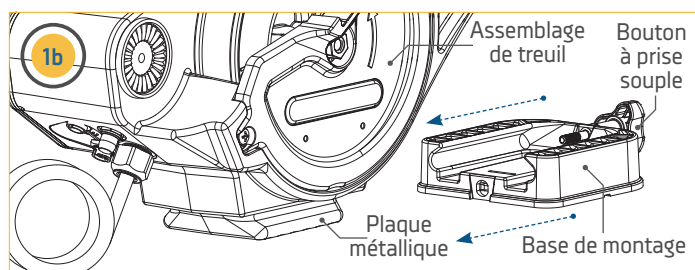
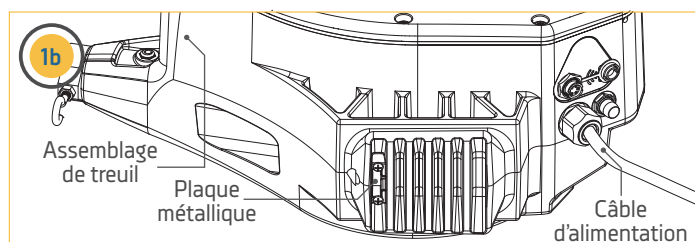
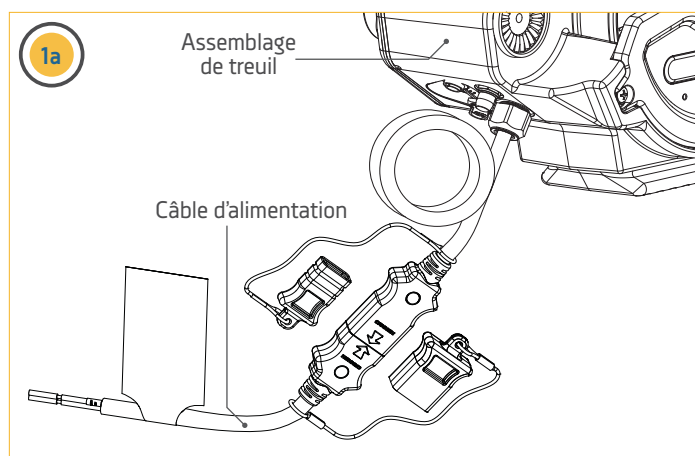
- a. Relisez les facteurs à considérer lors du montage avant de commencer l'installation et sélectionnez un emplacement de montage. Assurez-vous que le treuil de pêche n'est pas connecté à une source d'alimentation.



AVERTISSEMENT

Assurez-vous que le treuil de pêche n'est pas connecté à une source d'alimentation.

- b. Prenez la base de montage (Assemblage C) et fixez-la à l'assemblage de treuil de pêche (Assemblage A). La base de montage est adaptée au fond de l'assemblage de treuil de pêche. Le bouton à prise souple de la base de montage se visse dans la plaque métallique au fond de l'assemblage de treuil de pêche. Fixez la base de montage à l'assemblage de treuil afin que le bouton à prise souple soit dans la bonne position.
- c. Lors de l'installation finale, la base de montage est installée sur la base pivotante (Assemblage B). Si désiré, tenez l'assemblage du treuil (Assemblage A) avec la base pivotante à l'emplacement de montage sélectionné afin de vérifier si le treuil convient et qu'il peut fonctionner. Demandez à une deuxième personne de vous aider à faire l'installation et à faire des essais afin de vous assurer que le treuil de pêche fonctionnera comme voulu.
- d. Déterminez si un accessoire de montage, comme une tôle de pont recommandée, est nécessaire. Reportez-vous aux instructions d'installation incluses avec les accessoires de montage et terminez l'installation du treuil de pêche.



AVIS : ce treuil de pêche pèse environ 19 lb (8,6 kg). Pour l'installation, nous recommandons de vous faire aider par une deuxième personne.

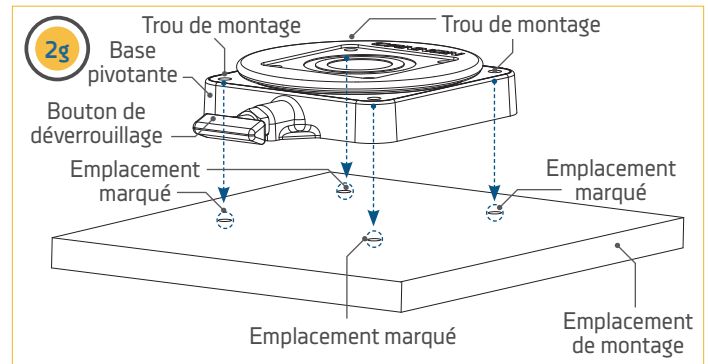
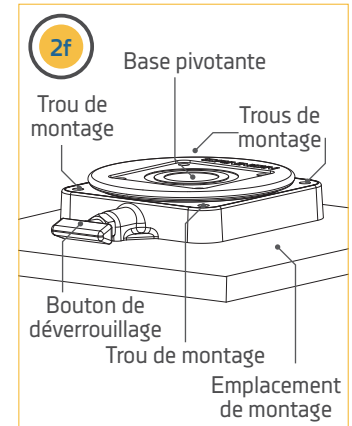
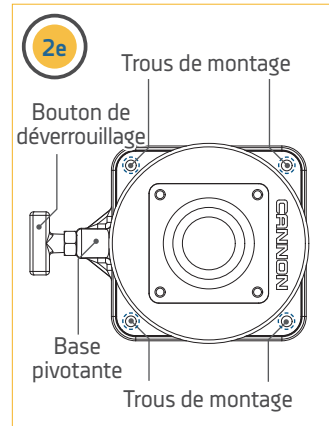
AVIS : le bouton de déverrouillage de la base pivotante peut être orienté dans n'importe quelle direction à l'installation finale.

INSTALLATION DE LA BASE

2

- e. Une fois satisfait de l'emplacement choisi, commencez en utilisant la base pivotante comme gabarit de montage.
- f. Placez la base pivotante à l'endroit voulu. Assurez-vous que le bouton de déverrouillage est orienté dans la direction désirée et que l'emplacement de montage est dégagé pour le perçage des trous, et que la quincaillerie de montage peut être installée.
- g. Avec la base pivotante posée à l'emplacement de montage, marquez l'emplacement des 4 trous de montage avec un crayon, un marqueur ou tout autre instrument similaire.

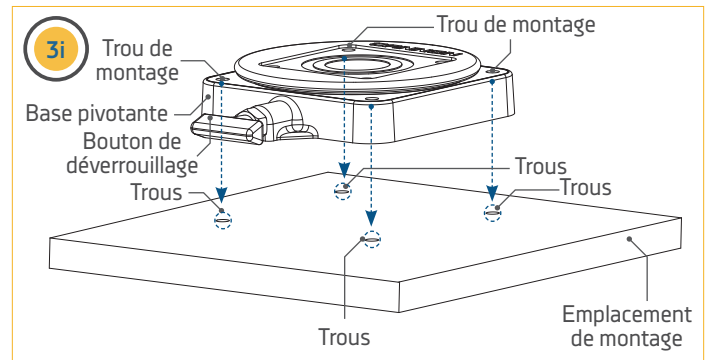
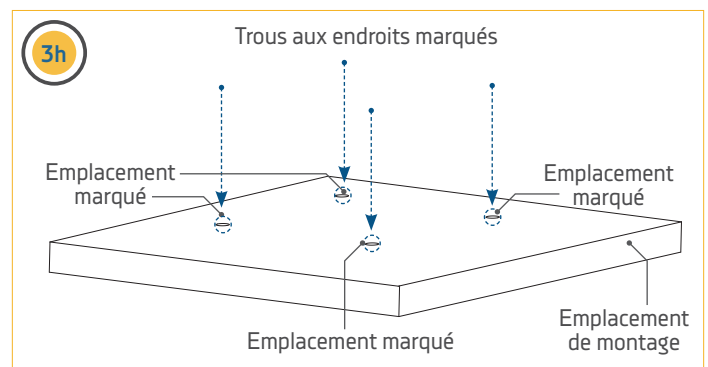
AVIS : lorsque vous percez les trous, il est utile de couvrir la surface de ruban à masquer. Cela empêchera d'érafler la surface du bateau et facilitera le nettoyage. Couvrez la surface, puis marquez l'emplacement à percer. Une fois les trous-guides percés, enlevez le ruban à masquer avant de poursuivre l'installation.



3

- h. Avec l'emplacement marqué, mettez la base pivotante de côté et percez un trou à chaque emplacement marqué avec une mèche de 9/32 po (7 mm).
- i. Remplacez la base pivotante sur l'emplacement de montage et alignez-la avec les quatre trous percés. Réorientez-la dans la direction désirée afin que les trous dans la base pivotante s'alignent sur les trous percés dans le bateau et que le bouton de déverrouillage soit orienté comme voulu.

AVIS : le montage de la base pivotante est facultatif. Si vous préférez utiliser uniquement la base de montage, utilisez-la comme modèle pour le perçage de trous. Pour fixer la base de montage au pont, utilisez quatre vis à métaux à tête bombée Phillips de 1/4-20 x 2 po (51 mm) (article n° 2), quatre rondelles plates (article n° 4) et quatre écrous Nylock 1/4-20 (article n° 6).



INSTALLATION DE LA BASE

4

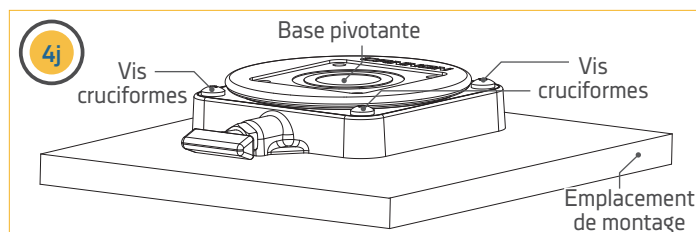
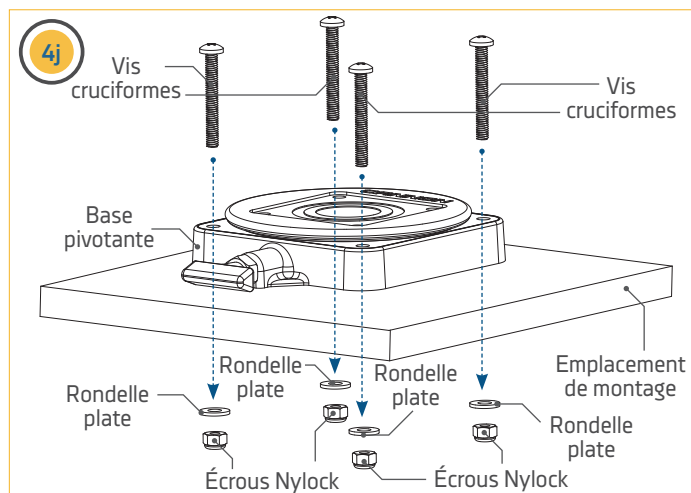
Articles requis :



- j. Prenez quatre des vis à métaux à tête bombée de 1/4-20 X 2 po (51 mm) à prise cruciforme (article n° 2) et enduisez-les de composé antigrippage. Placer une vis dans chacun des trous de montage. Les vis à tête bombée devraient traverser la base pivotante et les trous percés dans l'emplacement de montage.
- k. Fixez les vis à tête bombée en place avec quatre rondelles plates (article n° 4) et quatre écrous Nylock 1/4-20 (article n° 6). Placez une rondelle plate sur l'extrémité de chaque vis à tête bombée. Fixez chaque vis à tête bombée et rondelle plate avec un écrou Nylock en utilisant un tournevis cruciforme Phillips n° 3. Serrez à la main ou à un couple de 45 pi-lb (61 Nm). Pour prévenir le grippage de la quincaillerie en acier inoxydable, n'utilisez pas d'outils haute vitesse pour l'installation.

AVIS : pour prévenir le grippage de la quincaillerie en acier inoxydable, n'utilisez pas d'outils haute vitesse pour l'installation. Le fait de mouiller les vis ou d'appliquer un produit antigrippant peut aider à prévenir qu'elles grippent.

AVIS : Considérez l'installation d'un verrou Cannon Lock en option pour la sécurité accrue de votre treuil de pêche. (N° de pièce 1903020)

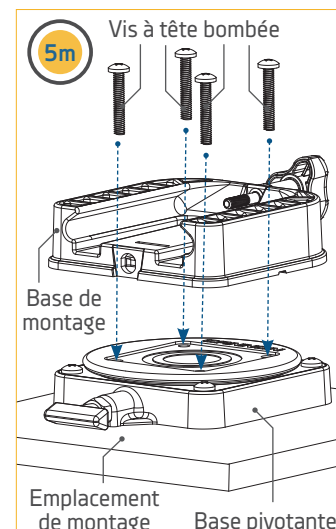
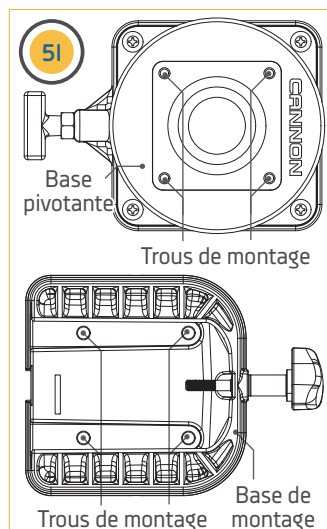


5

Articles requis :



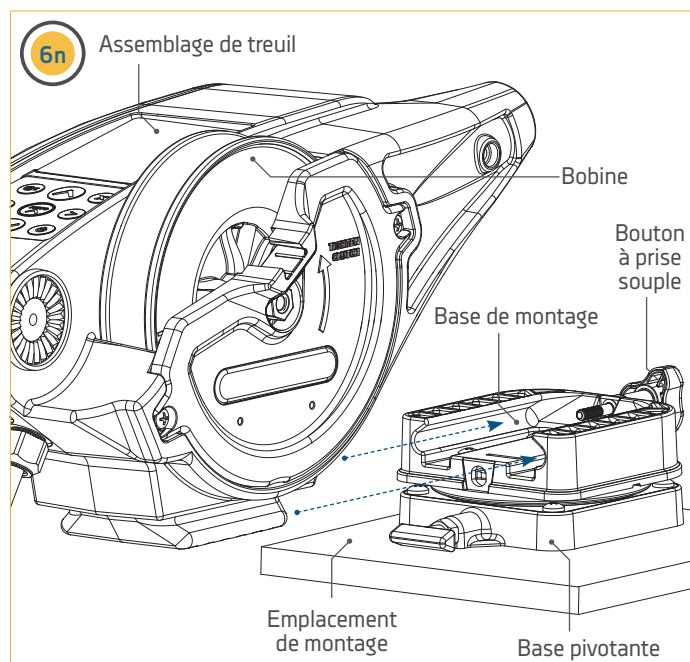
- l. La base de montage est installée sur la base pivotante. Au début de l'installation, la base de montage est fixée à l'assemblage de treuil de pêche. Rappelez-vous de l'orientation du bouton à prise souple et de l'orientation de l'assemblage de treuil de pêche dans leur position d'installation voulue.
- m. Démontez la base de montage de l'assemblage de treuil de pêche et placez-la sur la base pivotante selon la même orientation. Les trous de montage dans les coins de la base pivotante et de la base de montage doivent s'aligner. Fixez la base de montage à la base pivotante avec quatre des vis à métaux à tête bombée de 1/4-20 X 1 1/2 po (38 mm) (article n° 8) et un tournevis cruciforme.



INSTALLATION DU BOUTON D'EMBRAYAGE

6

- n. Une fois les bases attachées l'une à l'autre, replacez l'assemblage de treuil de pêche sur la base de montage et fixez-le en place avec le bouton à prise souple. Serrez à la main.



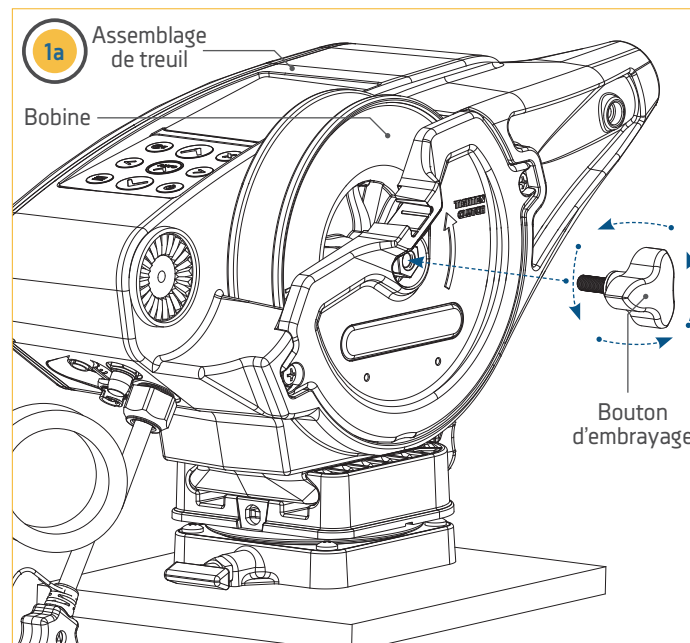
INSTALLATION DU BOUTON D'EMBRAYAGE ➤

1

Articles requis :



- a. Installez le bouton d'embrayage (article n° 10) sur le côté de l'assemblage du treuil. Le bouton d'embrayage est installé sur le côté du treuil de pêche, du côté de la bobine. Pour installer le bouton d'embrayage, insérez-le dans le centre de la bobine du treuil de pêche, tournez-le dans le sens antihoraire et serrez-le.



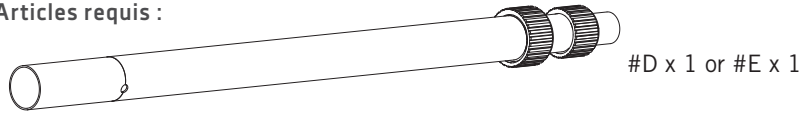
INSTALLATION DE LA FLÈCHE TÉLESCOPIQUE



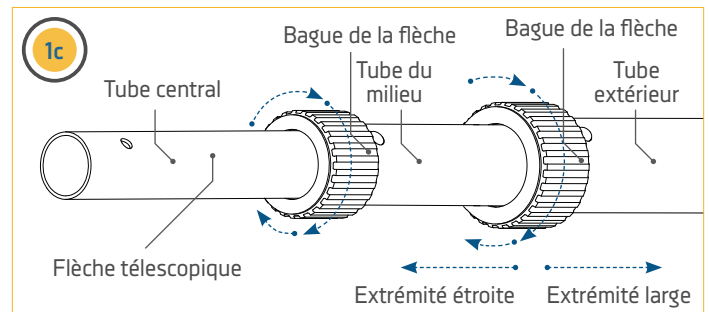
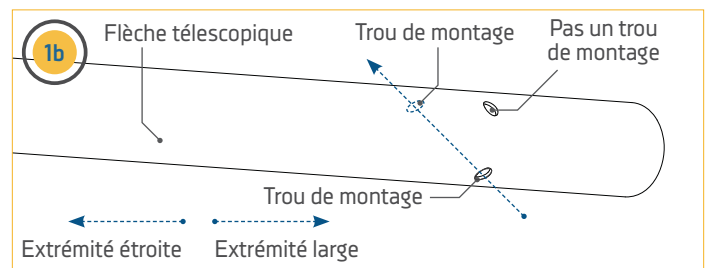
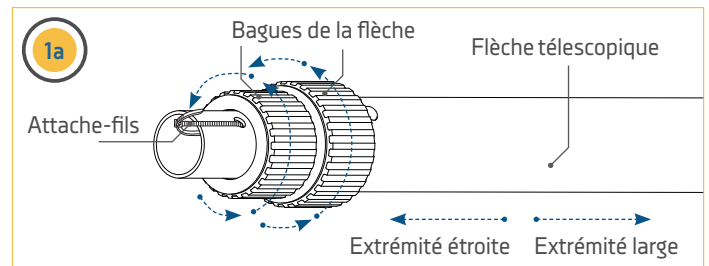
INSTALLATION DE LA FLÈCHE TÉLESCOPIQUE ➤

1

Articles requis :



- Coupez l'attache-fils qui tient les trois tubes de la flèche (Assemblage D ou Assemblage E) avec un coupe-fils ou un couteau. Enlevez l'attache-fils et desserrez les bagues de serrage à l'extrémité étroite de la flèche télescopique en les tournant dans le sens antihoraire.
- Le tube extérieur qui représente l'extrémité la plus large de la flèche télescopique comporte 3 trous utilisés pour la monter sur l'assemblage de treuil de pêche. Les tubes de la flèche télescopique doivent être déployés afin qu'ils ne nuisent pas au passage du boulon dans les trous servant au montage de la flèche au treuil.
- Avec les bagues de serrage de la flèche télescopique desserrées, les tubes de la flèche peuvent glisser indépendamment. Sortez le tube central de 2 po (5 cm) environ de sa position d'origine et resserrez la bague en la tournant dans le sens horaire. Glissez le tube du milieu de 2 po (5 cm) environ de sa position d'origine et serrez la deuxième bague. Vérifiez l'autre extrémité de la flèche afin de vous assurer que les trois trous du tube extérieur sont dégagés pour la quincaillerie de montage. Sinon, desserrez les bagues de serrage et ajustez les tubes pour dégager les trous. Serrez les bagues en les tournant dans le sens horaire afin d'empêcher les tubes de glisser et puis mettez la flèche de côté.

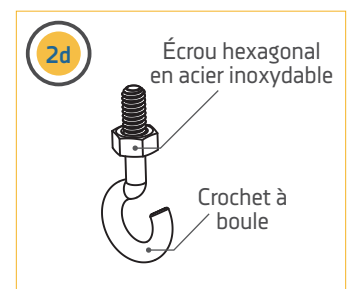
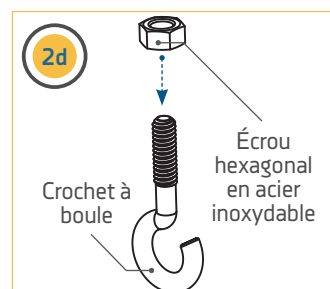


2

Articles requis :



- Placez le crochet à boule (article n° 14) et posez l'écrou hexagonal en acier inoxydable (article n° 12) dessus. Vissez l'écrou hexagonal sur le crochet à boule presque à la fin des filets. Mettez de côté l'assemblage de crochet à boule.



INSTALLATION DE LA FLÈCHE TÉLESCOPIQUE

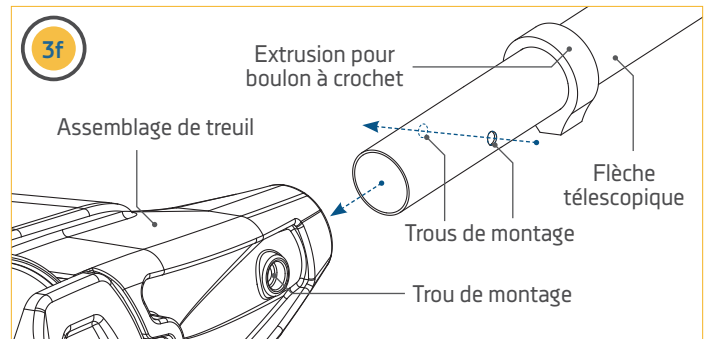
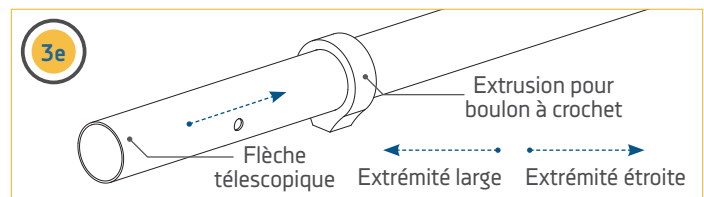
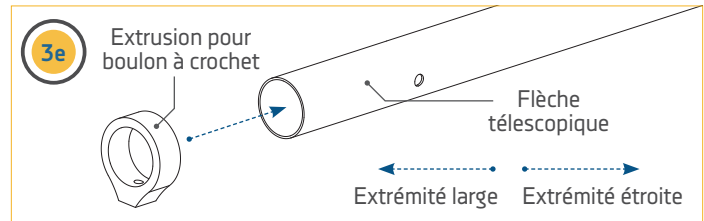
3

Articles requis :



- e. Prenez l'extrusion pour boulon à crochet (article n° 18) et placez-le sur l'extrémité large de la flèche télescopique, à l'opposé des bagues de serrage. À ce point de l'installation, l'extrusion pour boulon à crochet glissera librement sur la flèche.
- f. Notez l'emplacement des trois trous dans l'extrémité large de l'assemblage de flèche télescopique et d'extrusion pour boulon à crochet. Les deux trous les plus éloignés l'un de l'autre sur la courbe du tube servent à fixer la flèche sur l'assemblage de treuil de pêche. Les deux trous les plus éloignés l'un de l'autre sur la courbe du tube servent à fixer la flèche sur l'assemblage de treuil de pêche. Placez le tube sur l'assemblage de treuil de pêche et tournez-le de manière à ce que les trous de montage s'alignent avec les trous de montage de l'assemblage de treuil.

AVIS : si vous le préférez, tournez l'assemblage de flèche de manière à ce que la protubérance en plastique vers l'extrémité étroite de la flèche, près de la bague de serrage, soit orientée vers le bas. Cette préférence esthétique n'affecte pas le fonctionnement de la flèche.

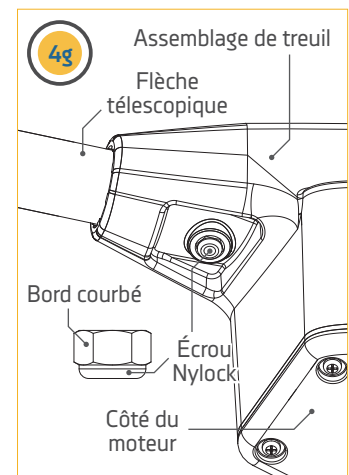
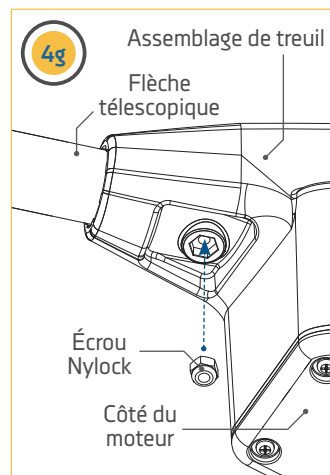


4

Articles requis :



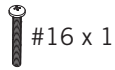
- g. L'assemblage de flèche est tenu en place par une vis et un boulon hexagonal. À l'arrière de l'assemblage du treuil de pêche, du côté du moteur, vous trouverez une dépression à six pans pour l'écrou Nylock. Pressez l'écrou Nylock (article n° 6) dans la dépression à l'arrière du treuil de pêche, du côté opposé de la bobine. L'écrou Nylock doit être posé avec son bord courbé de l'écrou Nylock orienté vers l'extérieur.



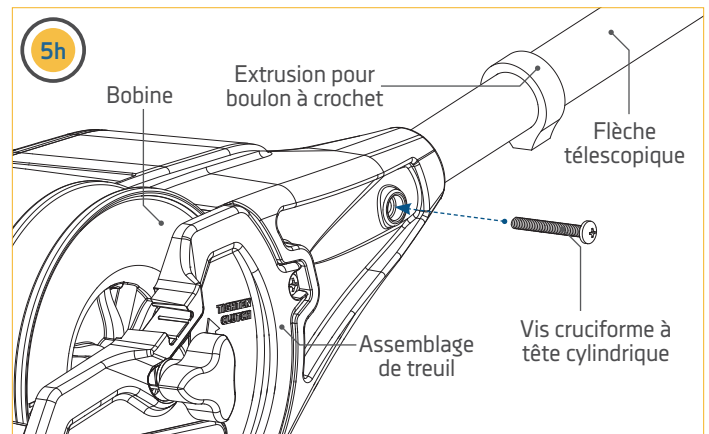
INSTALLATION DE LA FLÈCHE TÉLESCOPIQUE

5

Articles requis :

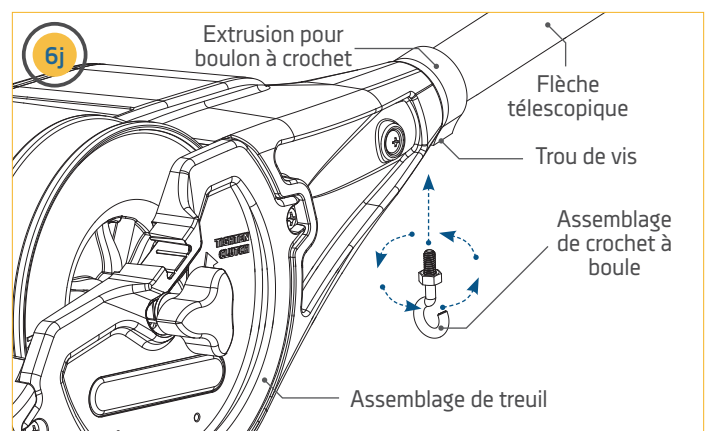
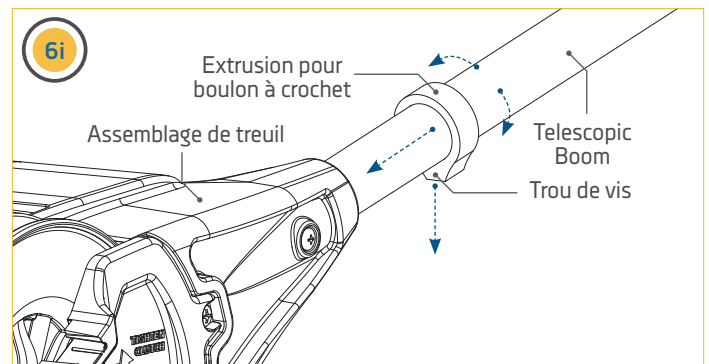


- h. Une vis à métaux à tête bombée 1/4-20 X 2 po (51 mm) à prise cruciforme (article n° 16) sert à fixer la flèche télescopique à l'assemblage de treuil de pêche. La vis à tête bombée cruciforme traverse le boîtier du treuil du côté de la bobine au côté opposé en traversant l'assemblage de flèche. À l'arrière de l'assemblage de treuil de pêche, la vis à tête bombée cruciforme sera vissée dans l'écrou hexagonal installé plus tôt. Serrez la vis à tête bombée avec un tournevis cruciforme jusqu'à ce que l'extrémité de la vis affleure la surface de l'écrou Nylock du côté opposé du treuil.



6

- i. Avec la flèche télescopique fixée à l'assemblage du treuil, glissez l'extrusion pour boulon à crochet sur la flèche jusqu'à ce qu'elle repose sur l'assemblage du treuil. Tournez l'extrusion pour boulon à crochet de manière à ce que le trou de vis soit orienté vers le bas.
- j. Posez l'assemblage de crochet à boule dans l'extrusion et serrez-le à la main jusqu'à ce que l'assemblage de crochet à boule fixe solidement l'extrusion contre la flèche télescopique. Tournez le crochet à boule dans le sens horaire jusqu'à ce qu'il soit correctement orienté.

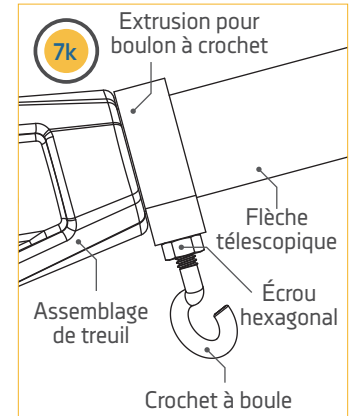
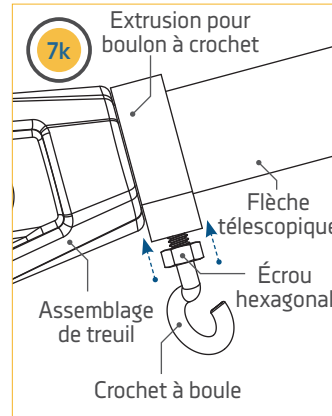


AVIS : ne serrez pas trop l'assemblage de crochet à boule, car il risque de déformer la flèche télescopique.

INSTALLATION DE LA TÊTE DE FLÈCHE

7

- k. Fixez l'orientation du crochet à boule en tournant l'écrou hexagonal de l'assemblage de crochet à boule avec une clé de 7/16 po (11 mm) jusqu'à ce qu'il soit bien serré contre l'extrusion. Serrez jusqu'à ce que l'écrou soit solidement vissé.

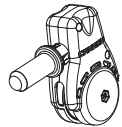


INSTALLATION DE LA TÊTE DE FLÈCHE >

1

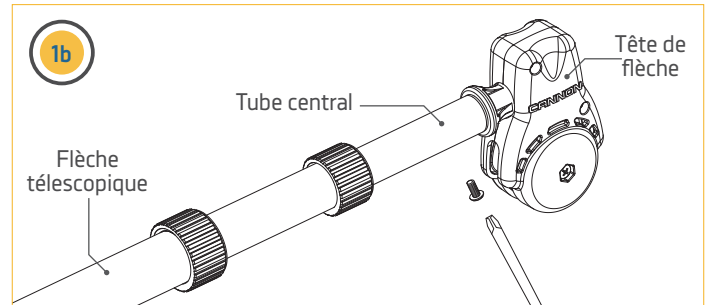
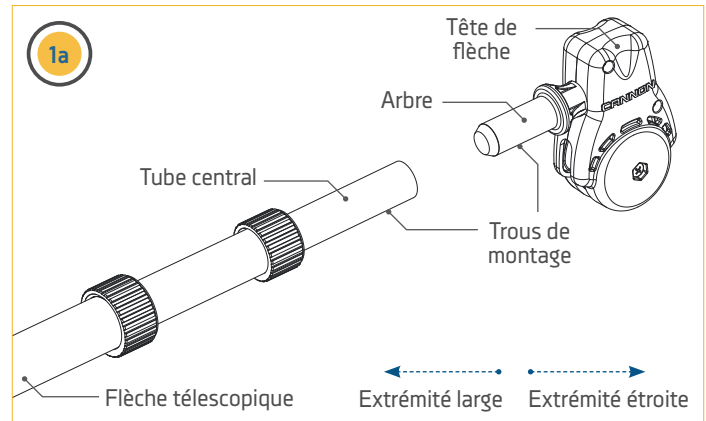
Articles requis :

⌚ #28 x 1



#K x 1

- a. Installez ensuite la tête de flèche (Assemblage K). Placez la tête de flèche sur le tube et repérez le trou de montage. Le trou de montage dans l'arbre de la tête de flèche doit être aligné avec le trou de montage du tube central à l'extrémité étroite de la flèche.
- b. Une fois les trous alignés, insérez une vis n° 8-18 X 5/8 po (16 mm) (article n° 28) dans l'extrémité de l'assemblage de flèche. Fixez la vis avec un tournevis cruciforme en tournant dans le sens horaire.



TERMINAISON DU CÂBLE DE TREUIL DE PÊCHE

TERMINAISON DU CÂBLE DE TREUIL DE PÊCHE >

Avec le corps du treuil de pêche Cannon installé, la terminaison du câble de la bobine peut être effectuée. Le treuil de pêche est livré de série avec une ligne en acier inoxydable retenue sur la bobine par un élastique. Lors de la terminaison, il est très important de maintenir la tension sur le câble afin de le garder bien enroulé sur la bobine. À cette fin, le bouton d'embrayage est installé en premier et le câble est ensuite acheminé et terminé. Vérifiez si le bouton d'embrayage a été installé en consultant la section « Installation du bouton d'embrayage » dans ces instructions. S'il est installé, procédez à la terminaison du câble en suivant les étapes ci-dessous :



Vous pouvez écouter une vidéo sur la terminaison du treuil de pêche Cannon en suivant ce lien en ligne : <https://www.youtube.com/watch?v=sQKp73j3aaw>

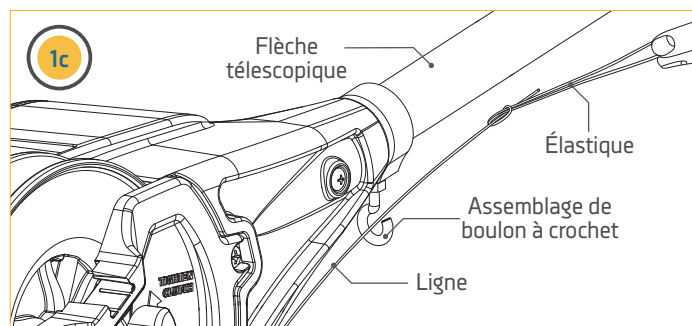
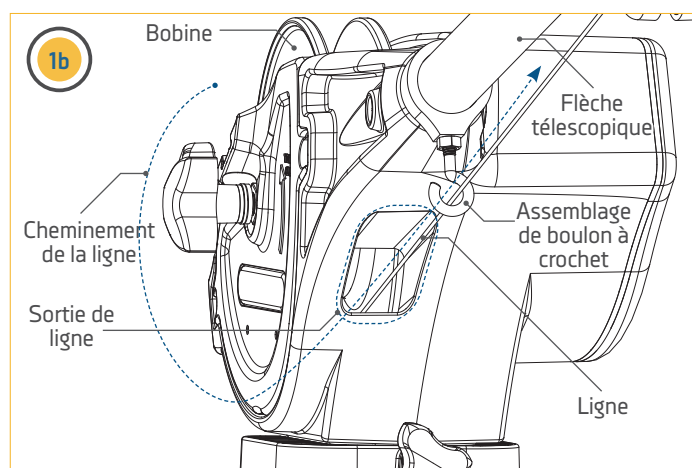
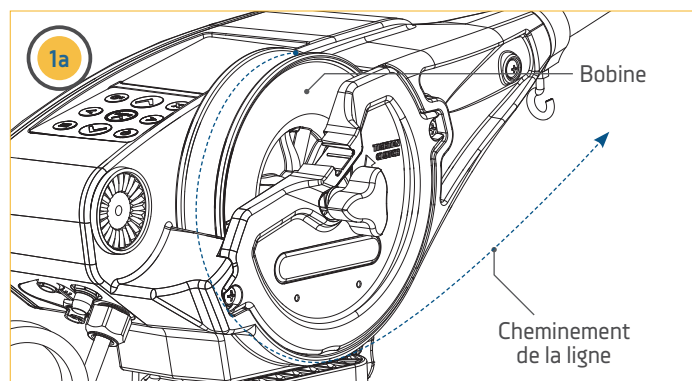
AVIS : Il peut être nécessaire d'obtenir l'aide d'une autre personne pour faire la terminaison de la ligne.

1

- a. Repérez l'élastique sur la ligne. L'élastique tient à la fois l'extrémité de la ligne sous tension et la ligne sur la bobine. Gardez l'élastique fixé sur l'extrémité de la ligne, mais détachez-le de la bobine afin de pouvoir maintenir la tension sur la ligne en tirant sur l'élastique. Une fois l'élastique détaché de la bobine, maintenez la tension sur la ligne en gardant l'élastique tendu.
- b. La ligne est enroulée sur la bobine dans le sens antihoraire. Travaillez avec l'extrémité de la ligne à laquelle l'élastique est attaché de manière à ce que la ligne se déroule du treuil de pêche par le bas, sous la flèche télescopique.

AVIS : lors de la terminaison de la ligne, il est très important de maintenir la tension sur cette dernière afin de la garder bien enroulée sur la bobine.

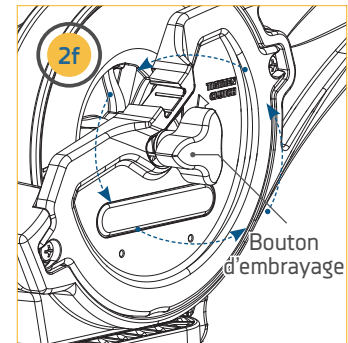
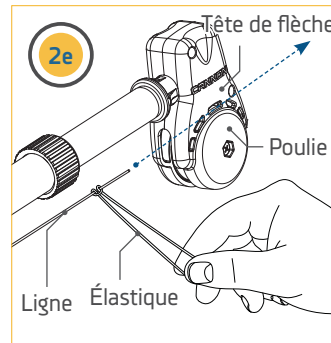
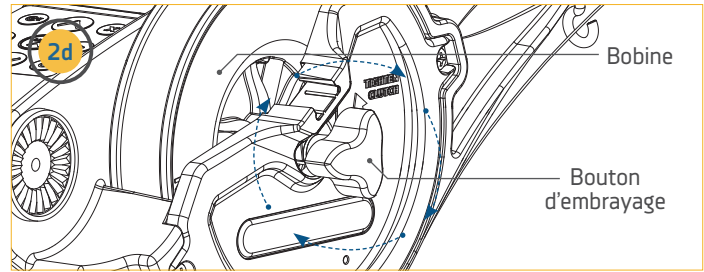
- c. Tirez la ligne tendue avec l'élastique solidement attaché. Glissez-le à travers l'assemblage de boulon à crochet.



TERMINAISON DU CÂBLE DE TREUIL DE PÊCHE


2

- d. Le bouton d'embrayage maintient la tension sur la bobine. Desserrez le bouton d'embrayage sur le côté du treuil de pêche en le tournant dans le sens horaire tout en maintenant la tension sur la ligne. Tirez sur la ligne afin qu'il y ait suffisamment de mou pour acheminer la ligne dans la poulie.
- e. Acheminez la ligne dans la poulie de la tête de flèche de manière à ce qu'il sorte de la poulie du côté opposé de la base du treuil de pêche. Une fois qu'il sort de la poulie, tirez environ 2 pieds (61 cm) de ligne à travers la poulie.
- f. Resserrez le bouton d'embrayage en le tournant dans le sens antihoraire et maintenez la tension sur la ligne.



3

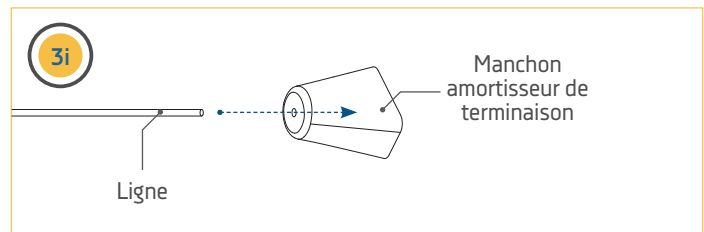
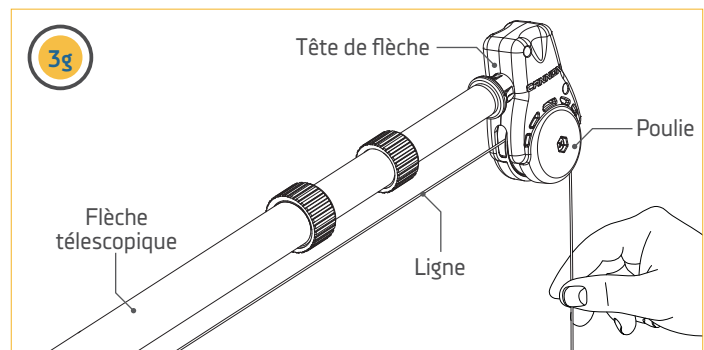
Articles requis :

 #30 X 1

- g. Demandez à une deuxième personne de tenir la ligne au-delà de la tête de flèche afin de garder la ligne tendue. Enlevez l'élastique de l'extrémité de la ligne.
- h. Coupez toute partie usée ou pliée de la ligne avec un coupe-fil.

AVIS : lors de l'acheminement de la ligne à travers la terminaison, n'utilisez qu'une ligne droite. Une ligne usée ou pliée peut être sous contrainte et casser de façon prématurée lors de la récupération des plombées de pêche à la traîne.

- i. Enfilez la ligne dans le manchon amortisseur de terminaison (article n° 30) par l'extrémité étroite en premier. Enfilez environ un pied (30,5 cm) de ligne dans le manchon.



TERMINAISON DU CÂBLE DE TREUIL DE PÊCHE

4

Articles requis :

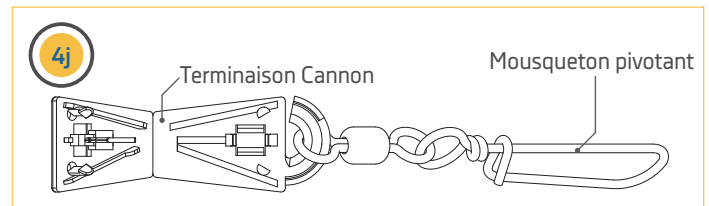
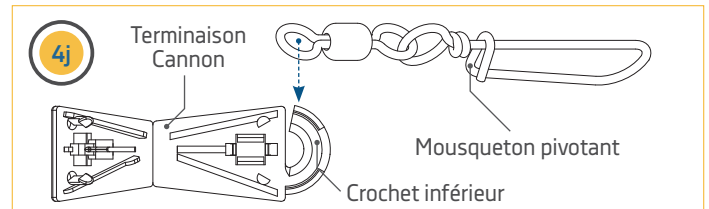


#32 X 1



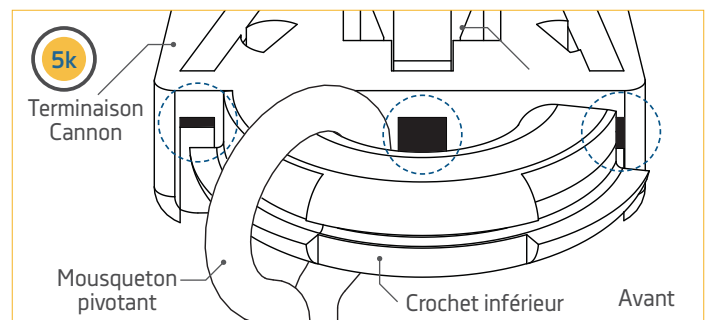
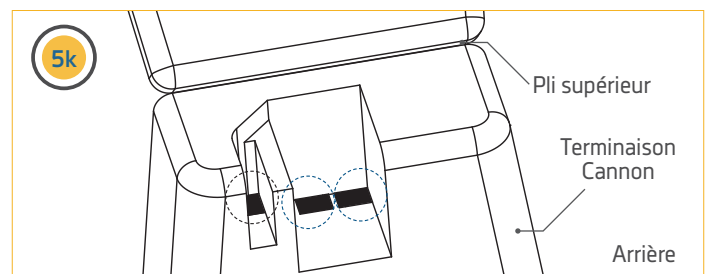
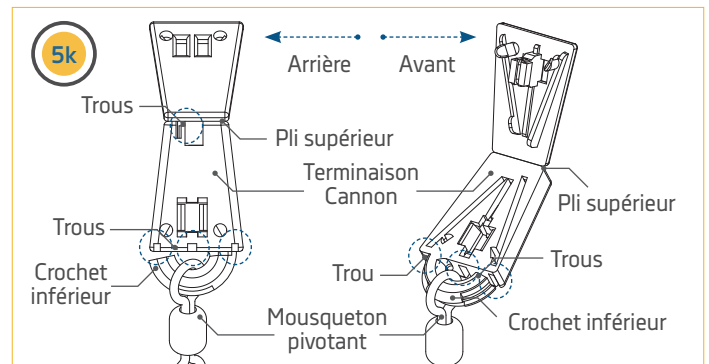
#36 X 1

- j. Fixez le mousqueton pivotant (article n° 36) sur le crochet au bas de la terminaison Cannon (article n° 32). Le mousqueton pivotant peut être fixé en insérant l'extrémité du petit anneau métallique dans l'ouverture à l'extrémité du crochet inférieur de la terminaison. Il peut être utile d'utiliser une pince pour raccorder les deux pièces.



5

- k. Avec le mousqueton pivotant attaché à la terminaison Cannon, repérez l'avant et l'arrière de la terminaison. Repérez aussi les trous le long du pli supérieur et du crochet inférieur de la terminaison. Il y a trois trous le long du crochet inférieur de la terminaison, un de chaque côté et un au centre. Il y a également 3 trous le long du pli supérieur, tous rapprochés les uns des autres. Pour effectuer la terminaison, la ligne doit être enfilée dans ces trous.

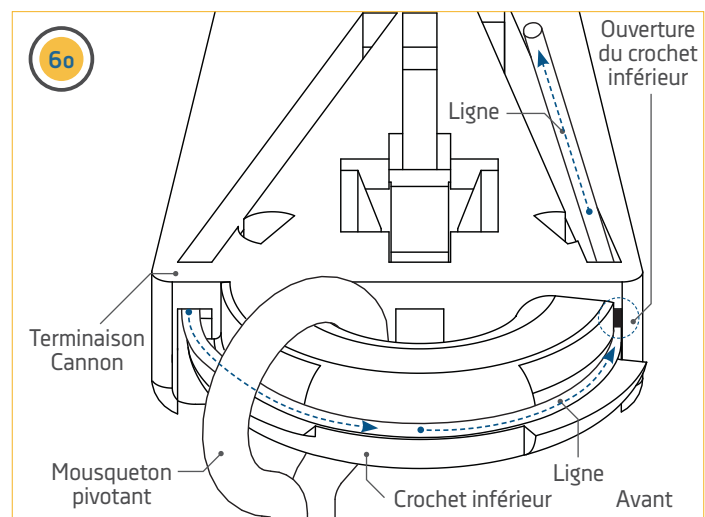
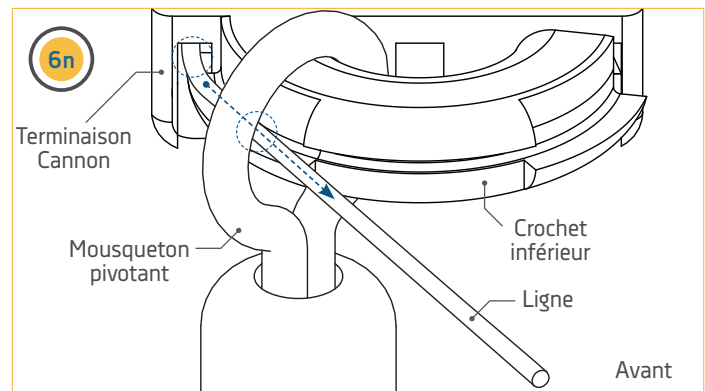
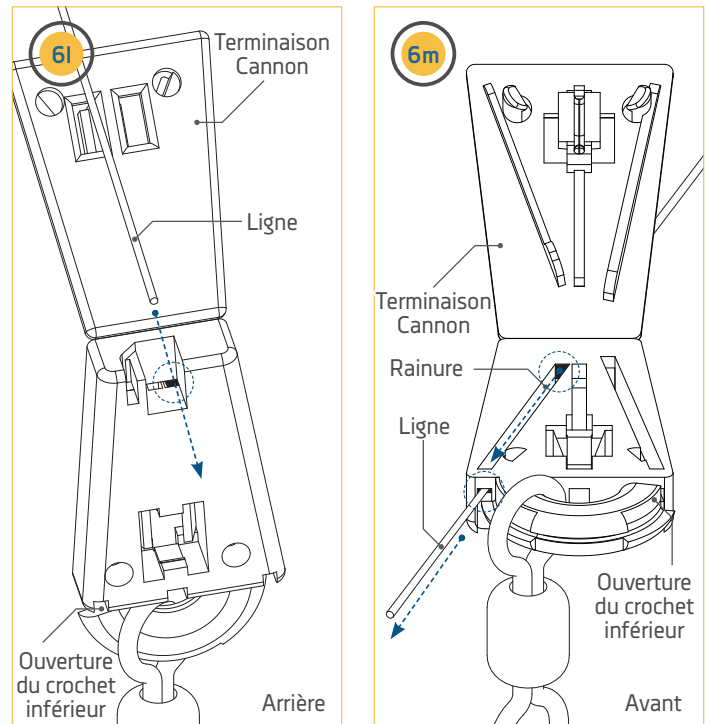


TERMINAISON DU CÂBLE DE TREUIL DE PÊCHE

6

- l. Retournez la terminaison afin que l'arrière soit orienté vers vous. L'ouverture du crochet inférieur devrait être du côté gauche. Avec la terminaison ainsi orientée, placez la ligne nouvellement coupée dans le trou à l'extrême droite dans le haut, afin que la ligne passe par le trou de l'arrière de la terminaison à l'avant.
- m. Lorsque la terminaison Cannon est remise à l'endroit, la ligne doit suivre la rainure du côté gauche de la terminaison vers le crochet inférieur. La ligne doit alors être tirée pour sortir par le bas du côté fermé du crochet inférieur. Tirez environ 6 pouces (15 cm) de ligne du bas de la terminaison.
- n. Glissez la ligne sortant par le bas de la terminaison le long du crochet inférieur en l'enfilant dans l'anneau du mousqueton pivotant posé sur le crochet.
- o. Avec la ligne enfilée dans l'anneau du mousqueton pivotant, enfilez-le le long du crochet inférieur de la terminaison et insérez-le dans le trou à l'autre extrémité de la terminaison, où se trouve l'espace entre le crochet et la terminaison. Tirez environ 6 pouces (15 cm) de ligne par le trou.

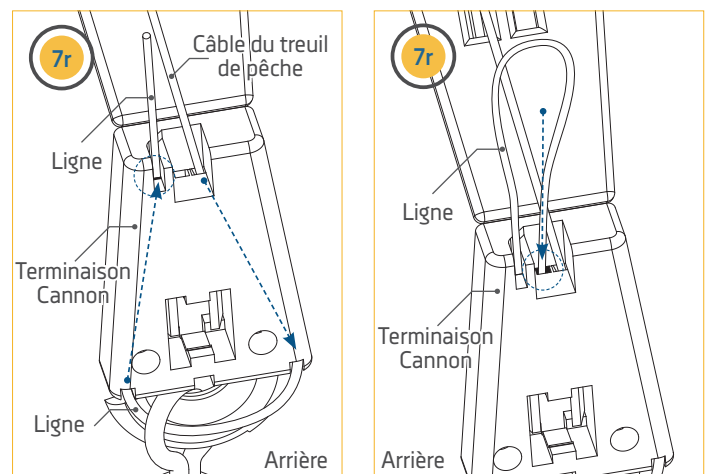
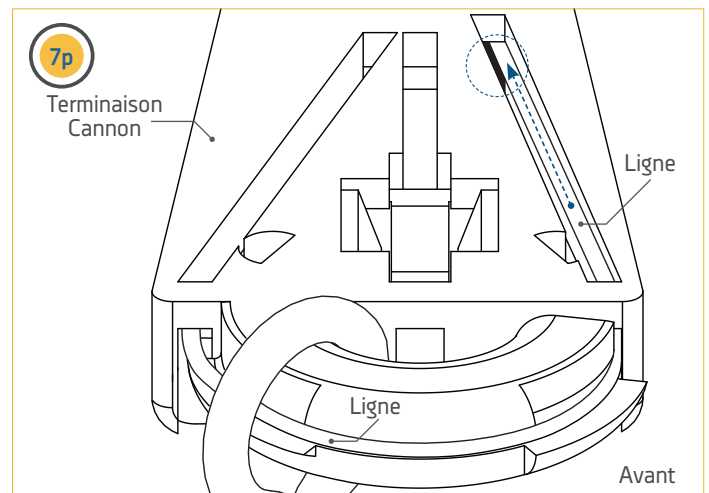
AVIS : lors de l'acheminement de la ligne à travers la terminaison, il peut y avoir du mou dans la ligne. Aux fins d'acheminement de la ligne, le mou ne présente pas de problème. Il sera repris à la fin du processus de terminaison. Assurez-vous toutefois que le mou n'est pas plié afin de pouvoir facilement enfilez la ligne dans la terminaison.



TERMINAISON DU CÂBLE DE TREUIL DE PÊCHE

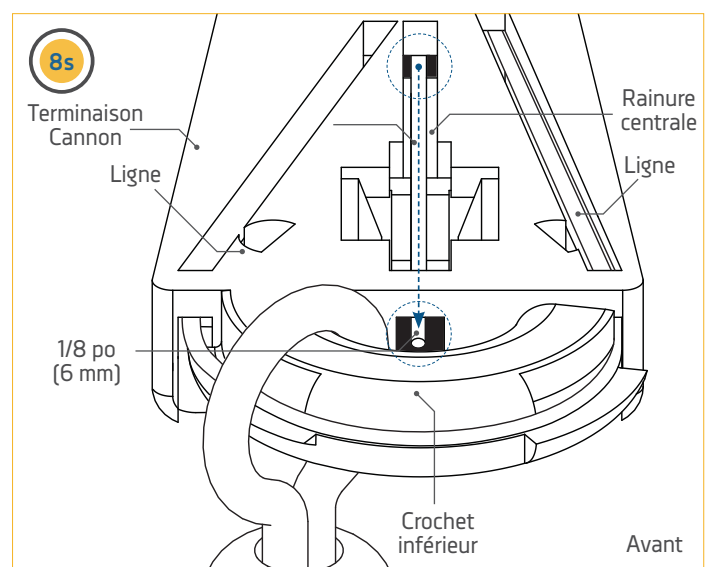
7

- p. Avec l'avant de la terminaison Cannon toujours orientée vers vous, placez la ligne dans la rainure du côté droit de la terminaison et enfitez-le dans le trou à l'autre extrémité de la rainure. La ligne sort du trou vers l'arrière de la terminaison.
- q. Retournez la terminaison afin que l'arrière soit orienté à nouveau vers vous. Tirez environ 6 pouces (15 cm) de mou de la terminaison.
- r. Prenez l'extrémité de la ligne et tirez-la à travers le trou à l'arrière de la terminaison juste à côté du trou dont elle vient de sortir. Ce trou est au centre de la terminaison et se trouve directement entre le trou dont la ligne vient de sortir et le premier trou dans lequel il a été enfilé dans la terminaison.



8

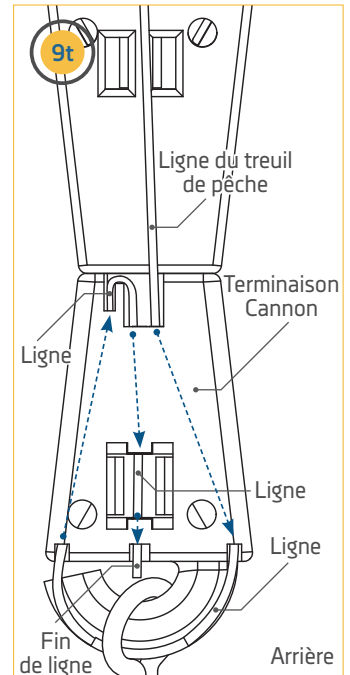
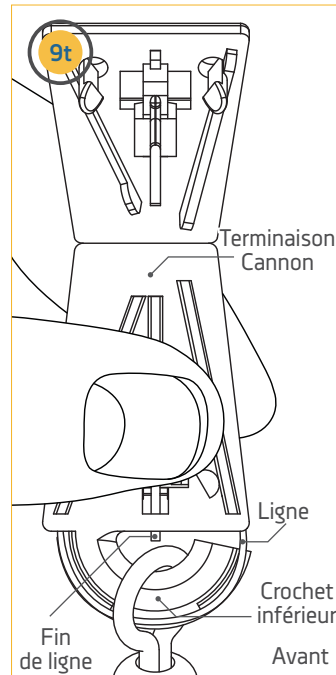
- s. Retournez la terminaison afin que l'avant soit orienté vers vous. L'extrémité de la ligne qui vient d'être insérée dans l'arrière de la terminaison doit passer dans la rainure au centre de la terminaison. Acheminez la ligne dans cette rainure jusqu'à ce qu'il sorte du trou au centre de la terminaison et le long du centre du crochet inférieur, à l'extrémité de la rainure. La ligne devrait dépasser de 1/8 po (3 mm) environ de la terminaison du côté du crochet inférieur.



TERMINAISON DU CÂBLE DE TREUIL DE PÊCHE

9

- t. Avec l'extrémité de la ligne dépassant du dernier trou près du crochet inférieur, tenez la terminaison et pressez la ligne dans la rainure centrale pour le tenir en place. En tenant la ligne ainsi, tirez sur la ligne enroulée autour de la terminaison à travers la terminaison dans le sens inverse afin de reprendre le mou. Au besoin, utilisez une pince pour serrer la ligne.

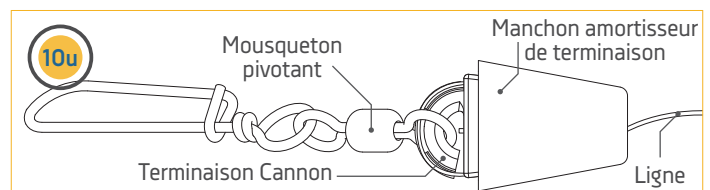
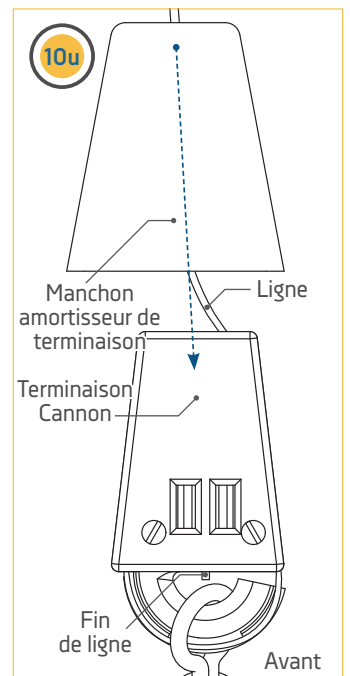
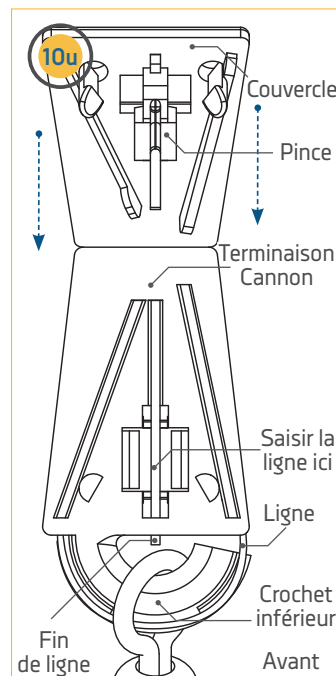


10

- u. Avec la ligne serrée, fermez le couvercle de la terminaison de manière à ce que la pince au centre du couvercle central saisisse la ligne. Au besoin, utilisez une pince pour fermer la terminaison. Avec la terminaison fermée, glissez le manchon amortisseur de terminaison solidement contre la terminaison jusqu'à ce qu'il soit bien assis. Une fois le manchon assis, la terminaison du treuil de pêche est réussie. Une plombée Cannon peut alors être attachée directement au mousqueton pivotant.

ATTENTION

Ne surchargez pas le treuil de pêche. Il est conçu pour récupérer un poids maximum de 20 lb (9,1 kg).



INSTALLATION DU PORTE-CANNE ARRIÈRE



INSTALLATION DU PORTE-CANNE ARRIÈRE >

Le treuil de pêche Cannon comprend deux porte-canne arrière, alors que le modèle Cannon Optimum TS n'en comporte qu'un seul. Les porte-canne sont munis d'un système de verrouillage denté en deux pièces. Cela permet le réglage indépendant et facile du porte-canne sur deux axes, qui peuvent être réglés en incréments de 15°. La conception symétrique permettra le montage du porte-canne d'un côté ou l'autre du treuil de pêche, ou de deux porte-canne en même temps. Le ressort sur l'arbre du bouton à prise souple permet de desserrer le bouton et de régler le porte-canne sans avoir à le démonter complètement. Pour l'installation, suivez les étapes ci-dessous.

AVIS : l'assemblage de porte-canne n'est pas couvert par la garantie s'il est utilisé avec de l'équipement pesant plus de 30 lb (13,6 kg). L'équipement placé dans les porte-canne et sa perte potentielle sont la responsabilité de l'utilisateur et n'est aucunement garanti par Johnson Outdoors, Inc. Le montage doit être conforme aux instructions fournies pour être admissible à la garantie sur le produit.

ATTENTION

Le porte-canne est destiné à l'utilisation avec une ligne d'une résistance de 30 lb (13,6 kg) seulement et n'est pas recommandé pour l'utilisation avec de l'agrès avec une cote IGFA (International Game Fish Association) de plus de 30 lb (13,6 kg). Une courroie de sécurité (non comprise) est recommandée pour toutes les utilisations.

1

Articles requis :



#20 X 1 or 2

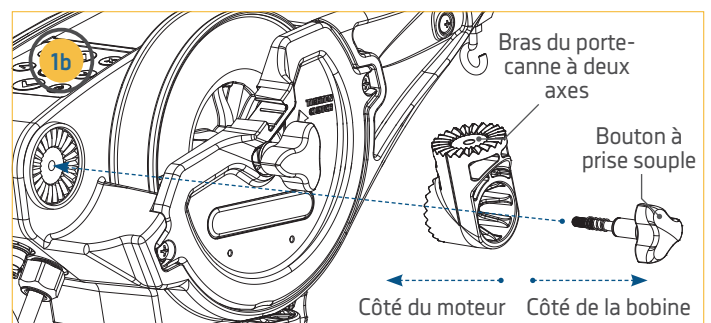
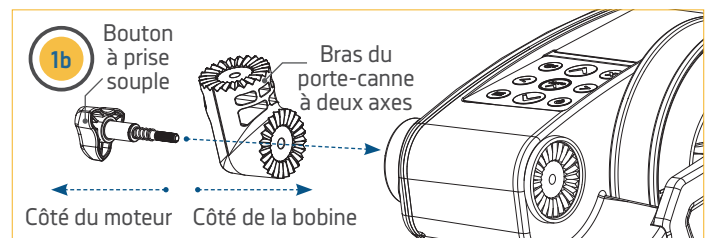
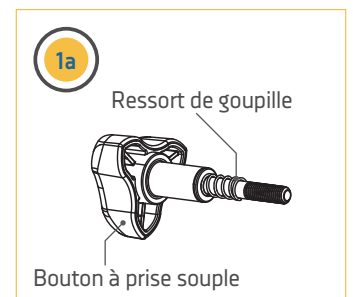
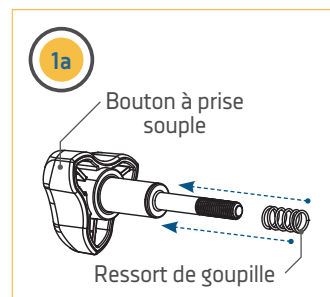


#22 x 1 or 2



#26 x 1 or 2

- a. Selon le modèle, le treuil de pêche comprend un ou deux porte-canne. Pour fixer le porte-canne sur l'assemblage de treuil de pêche, prenez un des deux boutons à prise souple (article n° 20) et un des deux ressorts de goupille de déverrouillage (article n° 22). Placez un ressort à l'extrémité de chaque bouton à prise souple.
- b. Si le treuil de pêche ne comprenait qu'un seul porte-canne, décidez de quel côté du treuil de pêche vous voulez l'installer selon le montage et l'utilisation du treuil de pêche. Une fois l'emplacement du porte-canne établi, retournez le bras de porte-canne à deux axes (article n° 26) de manière à ce que le côté court du coude soit placé contre l'assemblage du treuil de pêche. La face du bras de porte-canne à deux axes installé sur le treuil de pêche comporte des dents qui sont appariées au bras du porte-canne sur axe double. Ces dents appariées aident à maintenir la position du bouton et le gardent en place lorsque la position du porte-canne est modifiée pendant l'usage. Serrez le bras de porte-canne à deux axes avec le bouton à prise souple.

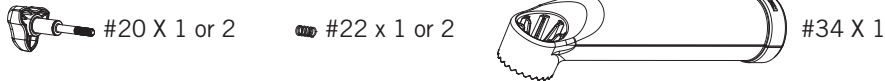


AVIS : le treuil de pêche Optimum Tournament Series comprend un porte-canne, le treuil de pêche Optimum ordinaire en comprend deux.

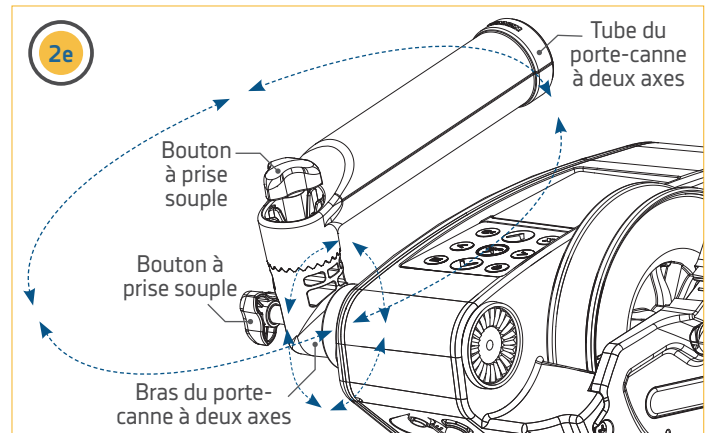
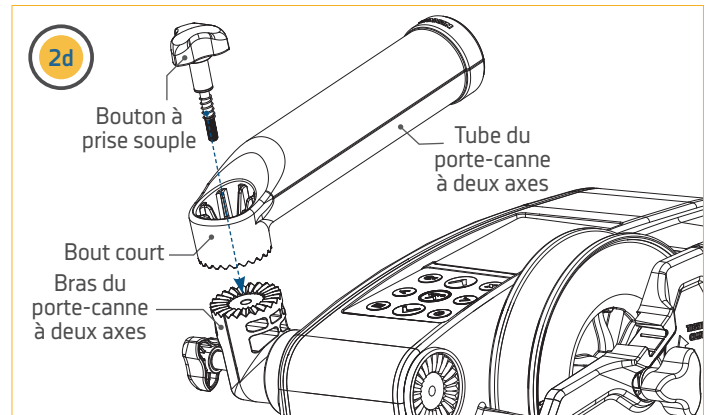
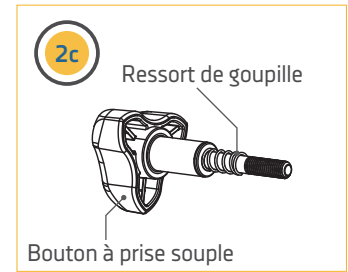
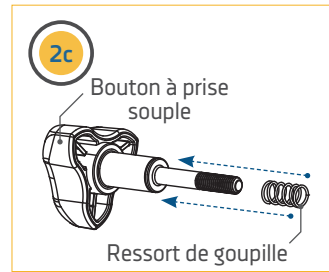
INSTALLATION DU PORTE-CANNE ARRIÈRE

2

Articles requis :



- c. Un bouton à prise souple sert à fixer le tube du porte-canne à deux axes au bras que vous venez d'installer. Prenez un des deux boutons à prise souple (article n° 20) et un des deux ressorts de goupille de déverrouillage (article n° 22). Placez un ressort à l'extrémité de chaque bouton à prise souple.
- d. Orientez le tube du porte-canne sur axe double (article n° 24) de manière à ce que l'extrémité courte de la pièce soit placée contre le bras du porte-canne sur axe double. La face du bras de porte-canne sur axe double comporte des dents qui sont appariées au tube du porte-canne sur axe double. Ces dents appariées aident à maintenir la position du bouton et le gardent en place lorsque la position du porte-canne est modifiée pendant l'usage. Serrez le tube de porte-canne sur axe avec le bouton à prise souple.
- e. Pour régler l'orientation du bras ou du tube de porte-canne sur axe, desserrez le bouton à prise souple et tournez les éléments à la position voulue. Resserrez ensuite le bouton à prise souple afin de le fixer en place.



AVIS : Les boutons Soft Grip et les ressorts de goupille seront à l'intérieur du tube de support de tige à double axe.

CÂBLAGE DU TREUIL DE PÊCHE

DIRECTIVES DE GRÉEMENT ET D'INSTALLATION

Pour des raisons de sécurité et de conformité, nous vous recommandons de suivre les normes du Conseil américain sur les embarcations et les yachts (American Boat and Yacht Council, ABYC) pour le gréement de l'embarcation. Les altérations dans le câblage de l'embarcation devraient être complétées par un technicien de marine qualifié. Les spécifications suivantes sont seulement des lignes directrices générales :

ATTENTION

Ces lignes directrices s'appliquent au gréement général pour soutenir le produit de Cannon. L'alimentation de plusieurs treuils de pêche ou d'autres appareils électriques, à partir du même circuit d'alimentation, peut influencer sur le calibre des conducteurs et le dimensionnement des disjoncteurs recommandés. Pour un fil plus long que celui fourni avec l'appareil, suivez le tableau de dimensionnement de gabarit des conducteurs et des disjoncteurs du tableau ci-dessous. Si la longueur totale de la rallonge est de plus de 30 pi (9 m), nous vous recommandons de communiquer avec un technicien maritime qualifié.

ATTENTION

Veuillez lire les renseignements suivants avant de connecter votre treuil de pêche à une batterie afin d'éviter d'endommager votre produit et/ou d'annuler votre garantie.

TABLEAU DES CALIBRES DES FILS CONDUCTEURS ET DES DIMENSIONS DES DISJONCTEURS

Le présent tableau des dimensions de gabarit des conducteurs et disjoncteurs est uniquement valable pour les hypothèses suivantes :

1. Il n'y a pas plus de deux conducteurs qui sont regroupés à l'intérieur d'une gaine ou d'un conduit à l'extérieur de l'espace moteur.
2. Chaque conducteur est muni d'un isolant d'une température nominale de 105 °C.
3. Aucune chute de tension de plus de 5 % n'est autorisée lorsque le moteur est à plein régime, en fonction des exigences en matière d'alimentation du produit qui ont été publiées.

Spécifications des fusibles/disjoncteurs	Spécifications des fils		
	Calibre 10	Calibre 10	Calibre 10
30 A, 32 V, imperméables, rapides	0 à 10 pi	11 à 15 pi	16 à 20 pi
	0 à 3 m	3 à 4,5 m	4,5 à 6 m

ATTENTION

Un dispositif de protection contre la surintensité (disjoncteur ou fusible) doit être utilisé. Les préalables de la garde côtière exigent que chaque conducteur de courant, qui n'est pas fixé, soit protégé par un fusible ou un disjoncteur qui se réinitialise manuellement et qui ne peut se déclencher automatiquement. Le type (tension et courant nominaux) du fusible ou du disjoncteur doit être de dimension appropriée pour le treuil de pêche Cannon utilisé.

RECOMMANDATIONS POUR MAINTENIR LE CIRCUIT ÉLECTRIQUE DU BATEAU EN BON ÉTAT

Lorsqu'un bateau est dans l'eau, diverses parties submergées interagissent pour créer de faibles courants électriques. Ces faibles courants électriques devraient être contrôlés afin de prolonger la vie des pièces de métal du bateau et d'assurer un bon milieu pour attraper du poisson. Afin que les fonctions Contrôle positif des ions (Positive Ion Control, PIC) et Arrêt court (Short Stop) de votre treuil de pêche fonctionnent correctement, il est important de vous assurer que votre bateau est bien configuré avant l'installation de votre treuil de pêche. Pour tous les détails concernant le fonctionnement du système Positive Ion Control, consultez la section du « Système Positive Ion Control » du manuel du propriétaire.

AVIS : afin d'assurer le bon fonctionnement de votre treuil de pêche, mettez la batterie du treuil à la masse du circuit électrique du bateau. Vérifiez d'abord toujours si votre bateau est bien mis à la masse. Des dysfonctions du système Positive Ion Control, de la communication entre les unités ou du fonctionnement peuvent être le résultat d'une mauvaise mise à la masse.

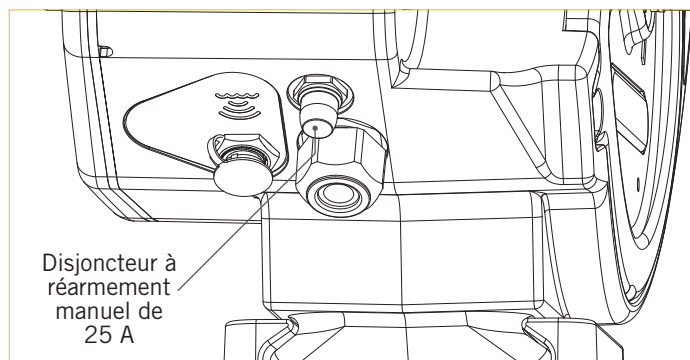
- Si les anodes sacrificielles de zinc sur votre bateau et votre moteur hors-bord/extérieur sont dissoutes plus que la moitié, on recommande de les remplacer. Nettoyez régulièrement les anodes à l'aide d'une brosse non corrosive.
- Toute couche ou croissance de biofilm devrait être nettoyée.
- Toutes les pièces en métal y compris la coque (si en métal) devraient être interconnectées par un câble de mise à la terre. Cela comprend les arbres de moteur, les arbres extérieurs et les accessoires qui traversent la coque. Cela garantira que le bateau est bien mis à la masse à l'eau et permettra aux systèmes Positive Ion Control et Short Stop de fonctionner correctement.
- Le câble de votre treuil de pêche doit être remplacé aux deux (2) ans. La corrosion du câble peut l'affaiblir, de façon physique et électrique.
- L'utilisation de poids enduits Cannon et de l'assemblage de mousqueton avec isolant aidera à isoler le poids du câble à charge positive.

SPÉCIFICATIONS ÉLECTRIQUES ET INSTRUCTIONS DE CÂBLAGE

Le treuil de pêche est coté à 30 ampères (pleine charge), 12 volts CC et est protégé par un disjoncteur à réarmement manuel de 25 ampères (situé sous le carter du moteur). Veillez à mesurer la tension de la batterie de votre bateau.

⚠ AVERTISSEMENT

N'utilisez pas ce treuil de pêche avec un système de batterie de 24 volts ou plus. Cela causera des dommages à l'appareil et annulera la garantie. Connectez votre treuil de pêche à un système de batterie de 12 volts seulement.



⚠ AVERTISSEMENT

Nous recommandons fortement d'alimenter votre treuil de pêche avec une batterie capable de fournir un courant élevé pour une longue période. Ne faites fonctionner le treuil avec une batterie de démarrage que si elle est rechargée par un alternateur pendant que le treuil est en marche.

⚠ AVERTISSEMENT

Ne jamais brancher les bornes (+) et (-) de la batterie ensemble. Assurez-vous qu'aucun objet métallique ne puisse tomber sur la batterie et provoquer un court-circuit entre les bornes. Cela provoquerait immédiatement un court-circuit et un risque extrême d'incendie.

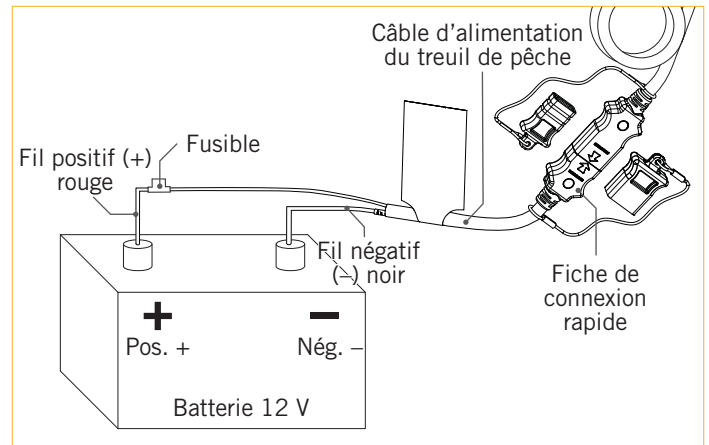
CÂBLAGE DU TREUIL DE PÊCHE

CONNEXION À LA BATTERIE

Nous recommandons fortement l'installation d'un fusible ou d'un disjoncteur manuel sur la borne positive de la batterie, à au plus 7 pouces (18 cm) de celle-ci. De plus, vous pouvez également connecter le treuil de pêche à un sélecteur de batterie. Nous recommandons fortement d'alimenter le treuil de pêche avec une batterie à charge poussée marine. Ne faites fonctionner le treuil de pêche avec une batterie de démarrage que si elle est rechargée par un alternateur pendant que le treuil de pêche est en marche.

1. Assurez-vous que le treuil est mis hors circuit ou que la fiche de connexion rapide du câble d'alimentation du treuil est débranchée.
2. Raccordez le fil positif (+) rouge à la borne positive (+) rouge de la batterie.
3. Raccordez le fil négatif (-) noir à la borne négative (-) noire de la batterie.
4. Lorsque vous êtes prêt à utiliser le treuil de pêche, rebranchez la fiche de connexion rapide.

AVIS : contrôlez la dégradation des câbles d'alimentation et limitez la corrosion en utilisant du gel antioxydant sur tous les raccords. N'utilisez pas d'écrous à oreilles.



⚠ ATTENTION

Consultez le « Tableau de calibre des conducteurs et de dimensions des disjoncteurs » dans la section précédente pour trouver le disjoncteur ou fusible approprié convenant à votre treuil de pêche.

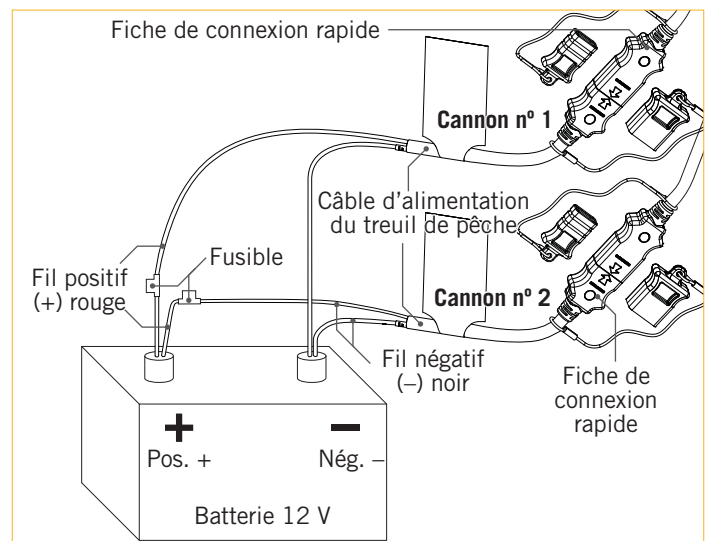
⚠ AVERTISSEMENT

Pour des raisons de sécurité, débranchez le treuil de pêche de la batterie lorsque le treuil de pêche n'est pas utilisé ainsi que pendant la charge de la batterie. Si vous installez un raccordement en fil de plomb, respectez les polarités appropriées et suivez les instructions qui se trouvent dans votre manuel du propriétaire du bateau. Serrez bien les écrous papillon des fils conducteurs autour des bornes de la batterie. Positionnez la batterie dans un compartiment ventilé.

ALIMENTATION DE PLUSIEURS TREUILS DE PÊCHE

Lorsque vous utilisez plusieurs treuils de pêche, faites fonctionner un maximum de 2 treuils par batterie de 12 volts exclusive. Suivez les instructions de la section « Raccordement à la batterie » de ces instructions d'installation. Répétez les opérations pour chaque treuil.

AVIS : Utilisez la fiche de connexion rapide pour couper l'alimentation au treuil de pêche sans toucher la batterie.



AUTRES POINTS À CONSIDÉRER

ACCESSOIRES SUPPLÉMENTAIRES CONNECTÉS AUX BATTERIES DU TREUIL DE PÊCHE >

Votre treuil de pêche Cannon, les composants électroniques de votre bateau ou votre bateau peuvent subir des dommages importants si de mauvaises connexions sont effectuées entre les batteries de votre treuil de pêche et d'autres systèmes de batteries. Cannon recommande l'utilisation d'un système de batterie exclusif pour votre treuil de pêche. Lorsque possible, les accessoires doivent être branchés sur un système de batterie séparé. Les radios et les sonars ne doivent être connectés à aucun système de batteries du treuil de pêche à la traîne étant donné que les interférences provenant du treuil de pêche sont inévitables. Si vous connectez des accessoires supplémentaires à l'une des batteries du treuil de pêche, ou si vous effectuez des connexions entre les batteries du treuil de pêche et d'autres systèmes de batterie sur le bateau, assurez-vous de respecter attentivement les indications ci-dessous.

La connexion négative (-) doit être connectée à la borne négative de la même batterie à laquelle la borne négative du treuil de pêche est connectée. La connexion à une autre batterie du treuil de pêche fera entrer une tension positive dans la « mise à la masse » de cet accessoire, ce qui peut entraîner une corrosion excessive. Tout dommage causé par de mauvaises connexions entre les systèmes de batterie ne sera pas couvert par la garantie.

SYSTÈMES DE DÉMARRAGE D'APPOINT ET COMMUTATEURS >

Les systèmes de démarrage d'appoint et les commutateurs relient les bornes négatives des batteries connectées entre elles. Veuillez consulter un technicien marin qualifié si vous installez votre treuil de pêche Cannon avec un de ces systèmes ou un commutateur de sélection.

COMMENT SÉLECTIONNER LES BATTERIES ADÉQUATES >

Le treuil de pêche fonctionnera avec toute batterie marine à décharge poussée de 12 volts au plomb-acide ou au lithium. Pour les meilleurs résultats, utilisez une batterie marine à décharge poussée. Maintenez la batterie complètement chargée. Un entretien adéquat assurera que le courant sera disponible au moment du besoin et améliorera considérablement la durée de vie de la batterie. Le fait de ne pas recharger les batteries au plomb (dans les 12 à 24 heures) est la principale cause de défaillance prématurée de celles-ci.

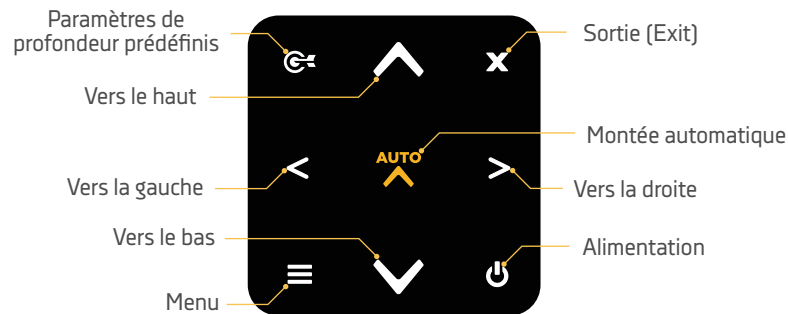
Utilisez un chargeur multiphase pour éviter une surcharge. Nous offrons une vaste sélection de chargeurs en fonction de vos besoins. Si vous utilisez une batterie de démarrage pour démarrer un moteur hors-bord à essence, nous vous recommandons d'utiliser des batteries marines à décharge poussée séparées pour votre treuil de pêche Cannon.

GUIDE DE CONFIGURATION

CONFIGURATION DE L'OPTIMUM^{MC}

Lors de la première mise en « marche » du treuil de pêche, l'écran ACL couleur affichera un Guide de configuration. Afin de suivre le Guide de configuration, on doit se familiariser avec le clavier du treuil de pêche. Une fois à l'aise avec le clavier, suivez le Guide de configuration pour personnaliser les paramètres du treuil de pêche avant de commencer à l'utiliser pour la pêche. Le Guide de configuration s'affichera aussi la première fois que le treuil de pêche est mis en « marche » après la restauration des paramètres par défaut.

CLAVIER DU TREUIL



- ALIMENTATION :** Lorsque le treuil de pêche est en « arrêt » appuyez pour mettre le treuil de pêche en « marche ». Lorsque le treuil de pêche est en « marche », une poussée rapide ouvrira le menu d'alimentation ou le fait d'appuyer et tenir pour trois secondes mettra le treuil de pêche en « arrêt ».
- VERS LE HAUT :** Lorsque tous les menus sont fermés, utilisez pour contrôler le moulinet afin de monter la plombée et entrer la ligne. La plombée continuera de monter jusqu'à ce que le bouton soit relâché, ou que le compteur de ligne atteigne « 0 ». Si le treuil de pêche déplace la ligne lorsqu'on appuie sur le bouton, l'action sera annulée. Lorsqu'un menu est ouvert, utilisez sur le bouton fera défiler les options de menu vers le haut. Si le menu arrive au début de la liste, il passera au bas, pour ensuite continuer à défiler les options vers le haut.
- MONTÉE AUTOMATIQUE :** Appuyez une seule fois pour monter la plombée et entrez la ligne automatiquement, à la vitesse 5. La plombée montera jusqu'à ce que le compteur de ligne touche 0, ou qu'on engage Arrêt court, et ce même si le bouton est relâché. Appuyez dessus et gardez-le enfoncé pour monter la plombée de tous les treuils de pêche du réseau. Utilisez le bouton Droit ➡ pour confirmer la sélection Montée automatique tous. Les plombées de tous les treuils de pêche continueront à monter en suivant les mêmes commandes pour un seul treuil de pêche.
- VERS LE BAS :** Lorsque tous les menus sont fermés, utilisez pour contrôler le moulinet afin de baisser la plombée et sortir la ligne. La plombée continuera de descendre jusqu'à ce que le bouton soit relâché, ou que la ligne soit complètement sortie. Si le treuil de pêche déplace la ligne lorsqu'on appuie sur le bouton, l'action sera annulée. Lorsqu'un menu est ouvert, utilisez sur le bouton fera défiler les options de menu vers le bas. Si le menu arrive à la fin de la liste, il passera au haut, pour ensuite continuer à défiler les options vers le bas.
- VERS LA GAUCHE :** Utilisez pour faire des sélections, des ajustements aux menus ou pour changer les affichages.
- VERS LA DROITE :** Utilisez pour faire des sélections, des ajustements aux menus ou pour changer les affichages. Lorsque les sélections du menu sont finalisées, utilisez pour fermer le menu.
- MENU :** Lorsqu'un des affichages est ouvert sur l'écran ACL couleur, une simple pression ouvrira le menu rapide pour l'affichage affichée. Appuyez deux fois pour ouvrir le menu Paramètres. Si le menu Paramètres est ouvert, utilisez une autre fois pour le fermer. Si le menu rapide est ouvert, utilisez une seule fois pour ouvrir le menu Paramètres.
- PROFONDEURS PRÉRÉGLÉES :** Pour ouvrir le menu Profondeurs pré réglées et pour l'accès au rappel de la dernière profondeur.
- SORTIE :** Appuyez pour sortir des menus ou les fermer. Retourne l'écran ACL couleur à l'écran ou à l'affichage précédent.

GUIDE DE CONFIGURATION

Le Guide de configuration est un ensemble de menus qui permet à l'utilisateur de sélectionner les paramètres de fonctionnement du treuil de pêche. Toutes les options du Guide de configuration peuvent être accédées dans les menus dans le treuil de pêche, si les préférences changent après la configuration initiale. Le Guide de configuration affichera d'abord un menu qui donne à l'utilisateur l'option de sélectionner la langue, l'alarme de la batterie, la température, la profondeur/distance et la vitesse. Utilisez le bouton Vers le haut et le bouton Vers le bas pour défiler les options de la liste, et utilisez le bouton Vers la droite et le bouton Vers la gauche pour changer le paramètre de chacun. Lorsque les options du premier menu sont sélectionnées, défilez à l'option Continuer et utilisez le bouton Vers la droite pour la sélectionner. Cela affiche un deuxième menu dans le Guide de configuration. Le deuxième menu permet à l'utilisateur de sélectionner la quantité de ligne sur la bobine, le type de ligne et son poids. Le deuxième menu est navigué de la même façon que le premier. Une fois les sélections effectuées, défilez jusqu'à l'option Effectuer la configuration et utilisez le bouton Vers la droite pour le sélectionner. Lorsque le deuxième menu est terminé, le treuil de pêche affichera les informations sur le transducteur Cannon. Lisez les informations sur l'écran ACL couleur, ensuite utilisez le bouton Vers la droite pour sélectionner Prochain. Cette action est suivie par un message au sujet du détecteur de poissons Fish Hawk et Humminbird^{MD}. Lisez les messages, ensuite utilisez le bouton Vers la droite pour sélectionner Prochain (Next). Sélectionnez Prochain (Next) sur l'écran du Humminbird complète le Guide de configuration.

LANGUE (LANGUAGE) : Choisissez une langue parmi 22. La langue par défaut est l'anglais. Utilisez le bouton Vers la droite pour confirmer la langue et assurez-vous que le bouton d'option à la droite de la langue est sélectionné.

ALARME DE BATTERIE (BATTERY ALARM) : Émet une alarme lors la batterie baisse sous une tension précise. Le défaut est en « arrêt », mais peut être réglé de 9,0 V et 13,5 V. Utilisez le bouton Vers la droite ou le bouton Vers la gauche pour défiler le barème mobile.

TEMPÉRATURE (TEMPERATURE) : Règle les lectures de température de Fahrenheit ou Celsius. Utilisez le bouton Vers la droite ou le bouton Vers la gauche pour défiler entre les options. Le paramètre par défaut est Fahrenheit.

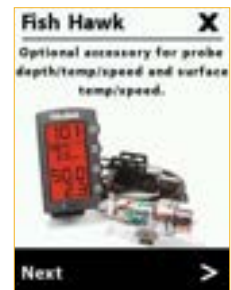
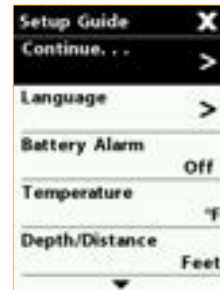
PROFONDEUR/DISTANCE (DEPTH/DISTANCE) : Règle les mesures de lecture de la distance et la profondeur. Utilisez le bouton Vers la droite ou le bouton Vers la gauche pour défiler entre les options. Le paramètre par défaut est en pieds.

VITESSE (SPEED) : Règle les mesures de vitesse en mi/h (miles à l'heure), k/h (kilomètres à l'heure) or kts (nœuds). Utilisez le bouton Vers la droite ou le bouton Vers la gauche pour défiler entre les options. Le paramètre par défaut est mi/h (miles à l'heure).

LIGNE SUR LA BOBINE (LINE ON SPOOL) : Programme le treuil de pêche avec la quantité de ligne sur la bobine. La bobine est livrée avec 400 pieds (122 mètres) de ligne en acier inoxydable. La ligne sur la bobine est définie sur la valeur par défaut de 400 pieds (122 mètres). La portée peut être ajustée de 150 pieds (45,7 mètres) (valeur minimale suggérée) à 400 pieds (122 m). La ligne sur la bobine peut être réglée en incréments de 50 pieds (15 mètres) sur un barème mobile qui peut être réglé à l'aide du bouton Vers la droite ou le bouton Vers la gauche.

TYPE DE LIGNE (LINE TYPE) : Le type de ligne par défaut est un ligne en acier inoxydable, mais peut être réglée à Tressé, acier inoxydable ou Mono. Utilisez le bouton Vers la droite ou le bouton Vers la gauche pour défiler entre les options.

POIDS DE LA LIGNE (LINE WEIGHT) : Le poids par défaut de la ligne est réglé à 50 à 150 lb (22,7 à 68 kg), mais peut également être réglé à 150 à 200 lb (68 à 90,7 kg) ou 200 lb ou plus (90,7 kg ou plus). Utilisez le bouton Vers la droite ou le bouton Vers la gauche pour défiler entre les options.



CONNEXION DU TREUIL DE PÊCHE

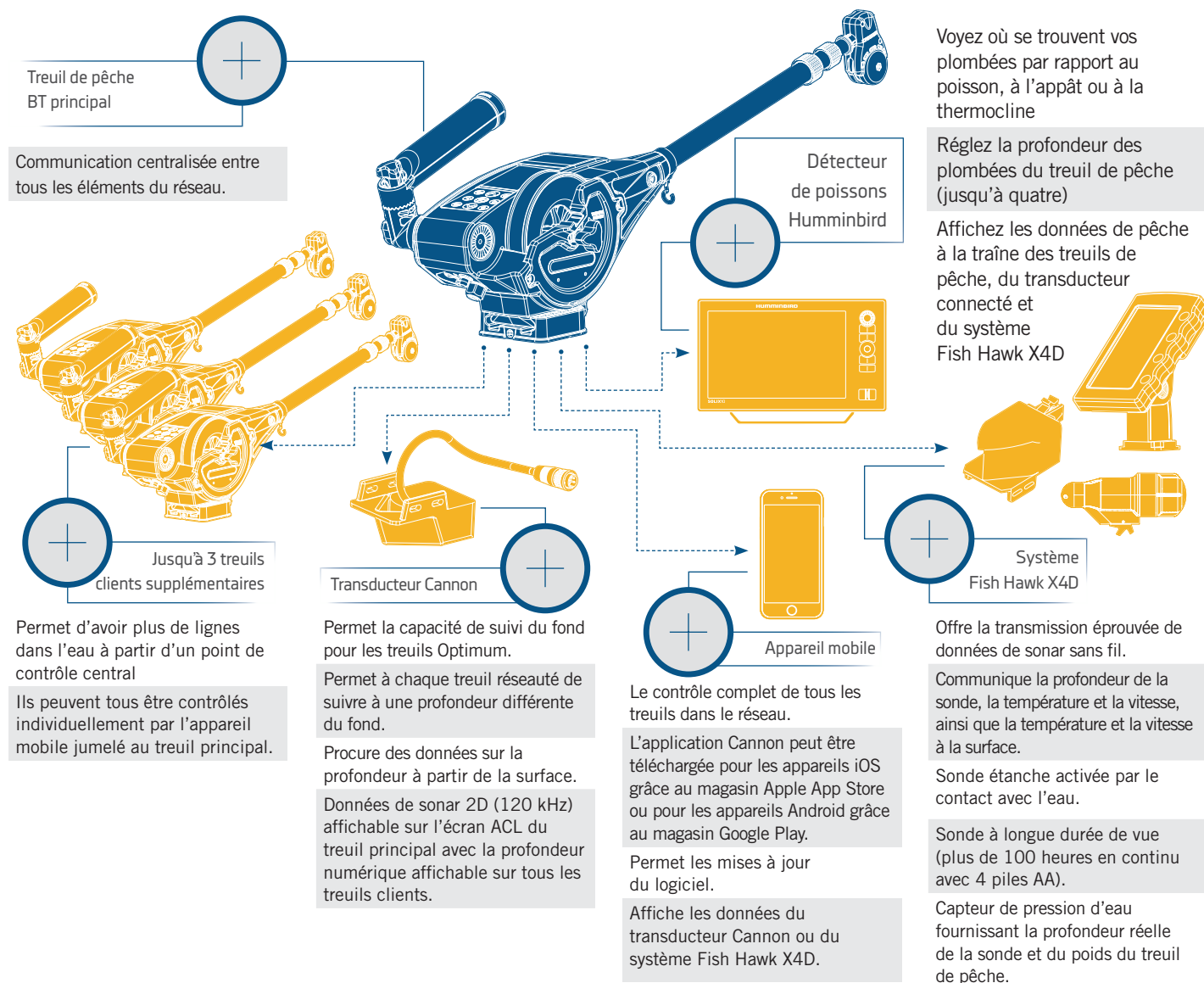
RÉSEAUTAGE DU TREUIL OPTIMUM

Grâce au système One-Boat Network^{MC}, le treuil de pêche Cannon Optimum peut être réseauté sans fil afin de vous donner le contrôle de votre treuil de n'importe où à bord de votre bateau. Si vous voulez placer l'appât sur la cible, vous devez pêcher plus intelligemment. Le nouveau treuil de pêche Optimum^{MC} est absolument ingénieux. Ce système connecté intelligent vous donne accès à des données de pêche à la traîne critiques et vous permet de monter, de baisser et d'alterner les poids au moyen d'un écran ACL couleur ou de votre appareil mobile. Peu importe où vous êtes à bord du bateau, vous êtes en charge. Et les poissons ne sauront pas comment vous faites.



Le réseau fonctionne en désignant un treuil de pêche principal qui est jumelé à tout le reste de l'équipement par un réseau sans fil. Ce réseau peut comprendre jusqu'à 3 autres treuils de pêche Optimum, un appareil mobile, le système Fish Hawk X4D et un transducteur Cannon. N'importe quel des treuils de pêche Optimum dans le réseau peut être désigné comme le treuil principal. Le treuil principal est le moyen de communication central du réseau auquel tous les autres appareils sont jumelés. Avant de commencer la configuration du réseau sans fil des treuils de pêche Cannon Optimum, veuillez exécuter les instructions des sections « Installation du treuil Optimum » et « Batterie et câblage » de ce manuel. Lisez attentivement l'information ci-dessous à propos du fonctionnement du réseau et exécutez ensuite les sections suivantes pour jumeler d'autres équipements au réseau afin de le configurer pour l'utilisation adéquate.

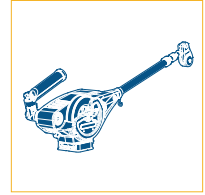
L'OPTIMUM BLUETOOTH ET LE RÉSEAU OPTIMUM TS



CONNEXION DU TREUIL DE PÊCHE

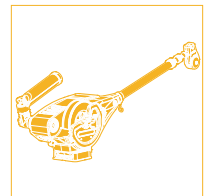
TREUIL DE PÊCHE PRINCIPAL >

Le treuil de pêche principal est le treuil Optimum dans le système désigné comme moyeu de communication central pour le réseau sans fil. Il est plus facile que jamais de pêcher avec plusieurs lignes, parce que le câblage complexe est une chose du passé. Vous pouvez réseauter jusqu'à quatre treuils Optimum sans fil. Tout treuil ajouté au réseau est jumelé directement au treuil principal. Le transducteur Cannon est branché au treuil principal. Le treuil principal est aussi jumelé à l'appareil mobile et au système Fish Hawk X4D. Le treuil principal est utilisé pour contrôler la communication entre les morceaux d'équipement dans le réseau. Par exemple, si le treuil reçoit une mise à jour de son logiciel de l'appli Cannon, le treuil principal communique la mise à jour à tout treuil client auquel il est jumelé. Dans les réseaux avec un seul treuil de pêche, il devient automatiquement le treuil principal si d'autre équipement est connecté ou jumelé. Un réseau ne peut pas avoir deux treuils principaux.



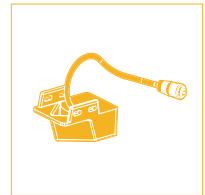
LES TREUILS DE PÊCHE CLIENTS >

Tout treuil jumelé au treuil principal devient un treuil client. Le réseau peut prendre en charge jusqu'à trois treuils clients. Les treuils clients reçoivent de l'information du treuil principal incluant des mises à jour du logiciel de l'appli Cannon, et les données de sonar ou de sonde de tout autre équipement jumelé. Le réseau sera interrompu si d'autre équipement, sauf le treuil de pêche principal, est jumelé à un treuil client. N'importe quel treuil client dans le réseau peut être contrôlé par l'appareil mobile jumelé au réseau par l'entremise de l'appli Cannon.



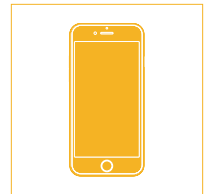
LE TRANSDUCTEUR CANNON >

Le transducteur Cannon est le seul équipement câblé dans le réseau. Le transducteur Cannon devrait seulement être branché au treuil principal. Il fournit des données de sonar qui s'affiche sur l'écran ACL du treuil. Le transducteur Cannon permet aux treuils d'utiliser la fonction de suivi du fond et fournit au réseau de l'information utile de pêche à la traîne. Le branchement du transducteur Cannon à tout autre treuil du réseau autre que le treuil principal interrompra le réseau.



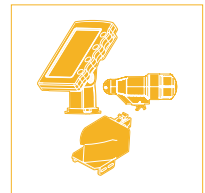
UN APPAREIL MOBILE >

Grâce à l'application Cannon sur votre appareil mobile, vous aurez les données de pêche à la traîne au bout des doigts et le contrôle total de vos treuils de pêche Optimum de n'importe où à bord de votre bateau. Elle garde même votre logiciel Optimum à jour. L'appli Cannon fonctionne seulement avec les treuils de pêche Cannon avec Bluetooth^{MD}. Assurez-vous de télécharger la bonne appli, car les autres applis ne fonctionneront pas avec votre treuil de pêche Cannon Optimum ou Optimum TS. Lancer l'appli lorsqu'elle n'est pas jumelée au Cannon vous permettra de l'essayer en mode de démonstration. La première fois que l'appli est lancée, vous devez accepter la renonciation de responsabilité avant de pouvoir continuer. Familiarisez-vous avec les écrans de l'appli afin de comprendre comment faire fonctionner votre treuil de pêche avec l'appli Cannon. L'appareil mobile devrait être jumelé avec le treuil de pêche principal.



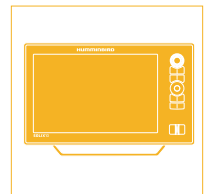
LE SYSTÈME FISH HAWK X4D >

Chaque treuil de pêche Optimum s'intègre sans fil au système Fish Hawk X4D pour vous donner les informations essentielles dont vous avez besoin pour une pêche à la traîne réussie. Ce système fournit la profondeur et la vitesse réelles de votre poids, la température de l'eau à la profondeur du poids, ainsi que la température et la vitesse à la surface. Dans le réseau sans fil, le Fish Hawk ne doit être jumelé qu'au treuil de pêche principal.



DÉTECTEUR DE POISSONS HUMMINBIRD >

Les treuils de pêche Optimum se connectent sans fil ensemble pour vous permettre de contrôler tous vos treuils de pêche en appuyant sur un bouton. Ils se connectent à votre détecteur de poissons Humminbird^{MD} et à votre appareil mobile pour un contrôle total et pour afficher les données de pêche à la traîne. Lorsqu'il est jumelé à un détecteur de poissons Humminbird, l'Optimum peut utiliser un transducteur connecté à un Humminbird comme source pour la fonction de suivi de fond. Grâce au One-Boat Network^{MC}, votre équipement de pêche perfectionné fait plus que travailler ensemble. Il commence à communiquer sans fil pour vous aider à trouver, 'a suivre et 'a attraper plus de poissons.



JUMELAGE D'UN APPAREIL À UN SEUL TREUIL DE PÊCHE

JUMELAGE D'UN APPAREIL À UN SEUL TREUIL DE PÊCHE >

Cannon offre une appli qui peut être utilisée pour contrôler et mettre à jour le treuil de pêche Cannon au moyen d'un appareil compatible avec Bluetooth^{MD}. L'appli Cannon peut être téléchargée pour les appareils iOS grâce au magasin Apple App ou pour les appareils Android grâce au magasin Google Play.

L'appli Cannon peut servir à contrôler le treuil de pêche au moyen d'un appareil jumelé au treuil au moyen d'une connexion Bluetooth. Avant de jumeler l'appareil au treuil, il faut d'abord télécharger l'appli Cannon. Vous pouvez confirmer que l'appli a bien été téléchargée en l'ouvrant dans votre appareil. Le treuil de pêche Cannon ne peut être jumelé qu'à **un seul** appareil Bluetooth.

Nous recommandons de relire la section « Connexion du treuil de pêche » dans ces instructions afin de comprendre le fonctionnement de la technologie et des treuils dans un réseau. Si vous jumelez un appareil à un seul treuil de pêche, celui-ci devient automatiquement le treuil principal. Si vous jumelez une série de treuils, décidez lequel sera le treuil principal et suivez les étapes ci-dessous et travaillez seulement avec le treuil principal durant le processus de jumelage. Le treuil principal sera appelé le BT principal.


L'icône de l'application Cannon. Reportez-vous à la section Application Cannon de ces instructions (p. 88) pour plus d'informations sur la manière de contrôler le treuil de pêche sur l'application.

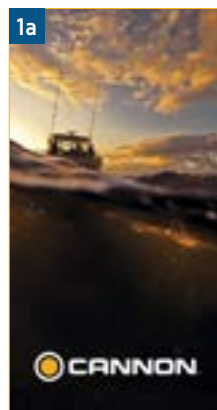


Cannon

AVIS : votre appareil pourra seulement se connecter à un Cannon et y être jumelé si l'appareil Bluetooth est activé. Votre appareil ne peut être jumelé qu'à un seul treuil de pêche Cannon avec Bluetooth.

1

- Téléchargez l'application Cannon sur l'appareil que vous prévoyez jumeler au treuil. Après avoir téléchargé l'application, ouvrez-la pour vous assurer qu'elle a bien été téléchargée.
- Au lancement de l'écran d'accueil, l'appli dans votre appareil affichera le guide de jumelage. Le guide vous aidera à jumeler votre treuil de pêche Cannon.
- Mettez le treuil Cannon principal en marche en appuyant sur la touche de marche  sur le clavier.
- Une fois le treuil de pêche en marche, revenez à l'appareil mobile et sélectionnez Continuer (Continue) sur l'écran du guide de jumelage de l'appli.



AVIS : Lorsque vous ouvrez l'application si le message « treuil de pêche introuvable » apparaît, sélectionnez « Réessayer la configuration du jumelage ».

2



- L'appli Cannon commence le processus de jumelage en déterminant quel treuil sera désigné comme treuil principal. Dans le guide de jumelage, vous verrez l'option de désigner le BT principal. Sélectionnez « Oui, jumeler au BT principal » (Yes, Pair to BT Master) pour continuer.

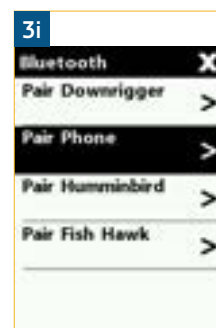
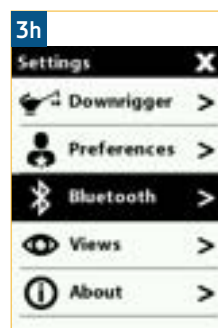
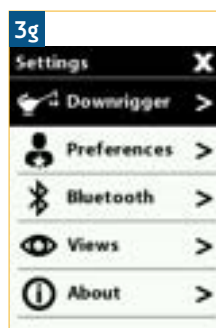
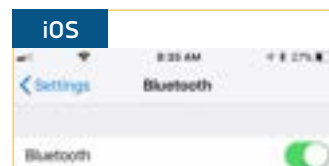
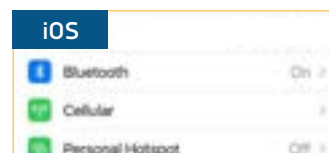
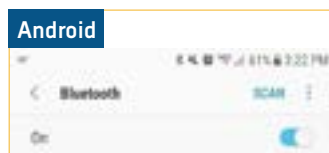
AVIS : le treuil de pêche BT (Bluetooth) principal est le treuil principal et tous les autres treuils, le téléphone et le transducteur doivent s'y connecter.



JUMELAGE D'UN APPAREIL À UN SEUL TREUIL DE PÊCHE

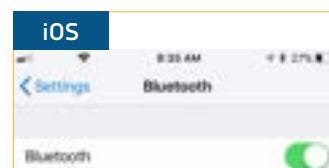
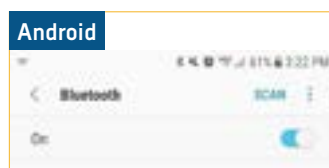
3

- f. Dans le Guide de jumelage de l'appareil, sélectionnez « Paramètres Bluetooth » (Bluetooth Settings) sur l'appareil iOS ou « Paramètres Bluetooth Android » (Android Bluetooth Settings) sur l'appareil Android. L'application Cannon redirigera l'appareil Android vers ses paramètres Bluetooth et l'appareil iOS vers ses paramètres. Dans l'appareil iOS, ouvrez les paramètres Bluetooth. Activez la fonction Bluetooth sur l'appareil et gardez-le à l'écran Bluetooth.
- g. Retournez au treuil de pêche en cours de jumelage à l'appareil. Sur le clavier du treuil, appuyez sur le bouton  Menu pour sélectionner le menu des paramètres (Settings) sur l'LCD couleur.
- h. Du menu des paramètres, utilisez la touche vers le bas  pour défiler à l'élément Bluetooth. Appuyez sur la touche vers la droite  pour ouvrir le menu Bluetooth.
- i. Dans le menu Bluetooth, utilisez la touche vers le bas  pour défiler à l'option Jumeler le téléphone (Pair Phone). Appuyez sur le bouton Vers la droite  pour le sélectionner.



4

- j. Lorsque l'option Jumeler le téléphone (Pair Phone) est sélectionnée, l'écran Jumeler le téléphone s'affiche sur l'écran LCD couleur. Appuyez sur la touche vers la droite  du clavier du treuil pour sélectionner « Jumeler le téléphone ». Cela place le treuil en mode de jumelage.
- k. Une fois en mode de jumelage, le treuil affiche « Jumelage de téléphone... ». Revenez à l'appareil mobile et faites un balayage pour d'autres appareils Bluetooth. Avec un appareil Android, sélectionnez le bouton Chercher (Scan) pour lancer le processus sur votre appareil. Avec un appareil iOS, quand le menu Bluetooth s'affiche, la recherche commence automatiquement. Lorsque le treuil Optimum est reconnu par l'appareil, il apparaît dans la liste des dispositifs. Sélectionnez le treuil Optimum ou Optimum TS dans la liste des appareils disponibles.



JUMELAGE D'UN APPAREIL À UN SEUL TREUIL DE PÊCHE

5

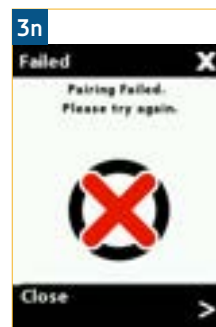
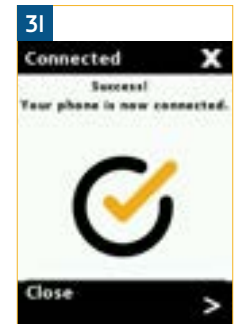
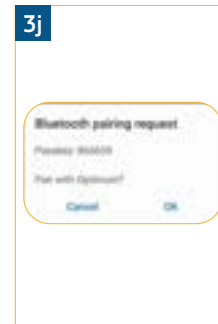
- l. Une fois sélectionné dans la liste, le treuil de pêche envoie un code à 6 chiffres à l'appareil.
- m. Vérifiez l'appareil pour vous assurer que le code d'autorisation sur l'LCD couleur du treuil correspond à celui affiché par l'appareil mobile. Confirmez le code d'autorisation sur l'appareil mobile.

AVIS : le code d'autorisation sera différent chaque fois que le treuil est jumelé à un appareil.

- n. Lorsque le code d'autorisation est confirmé sur l'appareil mobile, l'affichage numérique du treuil confirme la réussite de la connexion.

AVIS : quand l'appareil Bluetooth cherche le treuil Optimum, le treuil doit être en mode de jumelage. S'il y a temporisation du treuil ou de l'appareil, vous devez redémarrer le processus pour les deux.

- o. Afin que l'appareil et le treuil Optimum restent connectés, Bluetooth doit rester activé. Une fois l'appareil jumelé au treuil Optimum, ils se connecteront et commenceront à communiquer. Quand le treuil Optimum est jumelé à l'appareil et communique avec lui, l'appli Cannon reconnaît automatiquement que le treuil est jumelé.
- p. Si le jumelage échoue, revenez au menu Jumeler le téléphone (Pair Phone) sur le treuil et remettez le treuil et l'appareil mobile en mode de jumelage en même temps et répétez la procédure.



AVIS : le treuil demeure en mode de jumelage pendant 30 secondes. Si le code d'autorisation est envoyé à l'appareil mobile, mais qu'il n'est pas confirmé, le jumelage va échouer. Réessayez le jumelage et veillez à confirmer le code d'autorisation avant la temporisation du jumelage.

AVIS : quand un appareil est jumelé au treuil de pêche, l'appareil jumelé et le treuil se connaissent. Quand un appareil jumelé et un treuil sont connectés, ils peuvent communiquer activement l'un avec l'autre. Pour que l'appli Cannon détecte le treuil, elle doit être jumelée et communiquer avec le treuil.




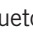
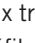
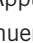
AVIS : il peut falloir quelques instants pour que votre appareil mobile se connecte et que l'appli réponde au réseau même après l'établissement de la connexion.

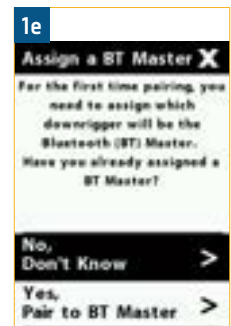
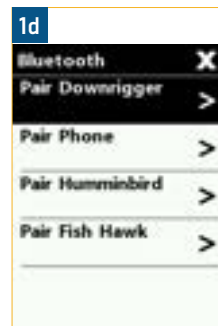
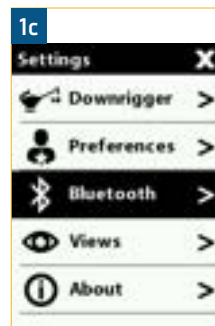
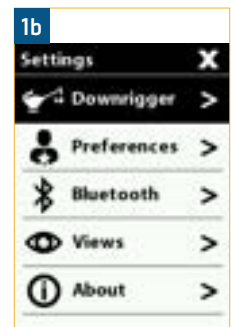
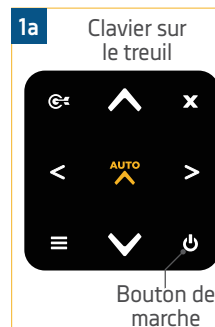
JUMELAGE DE DEUX TREUILS DE PÊCHE

JUMELAGE DE DEUX TREUILS DE PÊCHE >

Si votre bateau est équipé de plusieurs treuils de pêche, il est possible d'en jumeler jusqu'à 4 en réseau pour partager de l'information et contrôler les treuils depuis un seul appareil. Bâter un réseau exige le jumelage de chaque treuil avec le treuil principal et permet de consulter la majorité des données dans l'ensemble du réseau. Chaque treuil jumelé au treuil principal est un treuil client. Le treuil principal est le treuil du réseau qui est jumelé à un appareil mobile et qui peut être connecté à un transducteur ou à un système Fish Hawk X4D. Nous recommandons de relire la section « Connexion du treuil de pêche » (Connecting the Downrigger) dans ces instructions afin de comprendre le fonctionnement de la technologie et des treuils dans un réseau. Pour jumeler deux treuils de pêche, suivez les instructions ci-dessous.




1

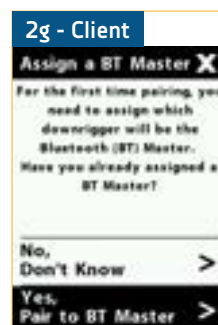
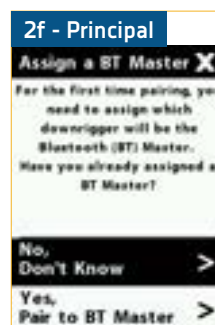
- Établissez quel treuil de pêche sera le Bluetooth principal. Mettez les deux treuils Cannon en marche en appuyant sur la touche de marche sur le clavier  de chaque treuil.
- Sur le clavier des deux treuils, appuyez sur la touche Menu  pour sélectionner le menu des paramètres sur les deux affichages numériques.
- Du menu des paramètres des deux treuils, utilisez la touche vers le bas  pour défiler à l'élément Bluetooth. Appuyez sur la touche vers la droite  pour ouvrir le menu Bluetooth.
- Dans le menu Bluetooth des deux treuils, utilisez la touche vers le bas  pour défiler à l'option de jumelage de treuil (Pair Downrigger). Appuyez sur la touche vers la droite  pour continuer.
- Le treuil principal et le client affichent une invite Définir un BT principal (Assign a BT Master) sur l'écran.



AVIS : Le treuil de pêche principal est le treuil de pêche auquel un appareil mobile, tous les autres treuils de pêche et accessoires, tels que le transducteur Cannon et le détecteur de poissons Humminbird et Fish Hawk, seront jumelés. Le treuil de pêche client est celui qui sera jumelé au treuil de pêche principal.



2

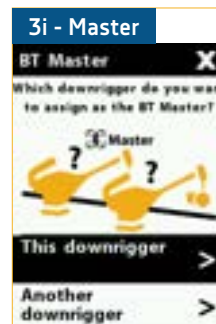
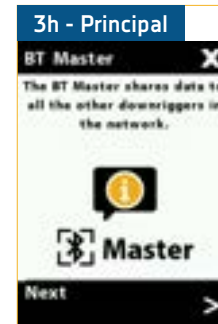
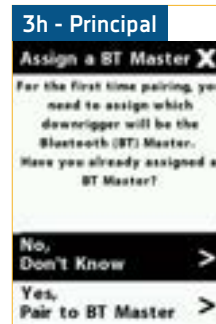
- Sur le treuil qui sera désigné BT principal, sélectionnez « Non, ne sait pas » (No, Don't Know) en appuyant sur la touche vers la droite .
- Sur le treuil client, utilisez la touche vers le bas  pour défiler à l'option « Oui, jumeler au BT principal » (Yes, Pair to BT Master). Appuyez sur la touche vers la droite  pour continuer.



JUMELAGE DE DEUX TREUILS DE PÊCHE



3

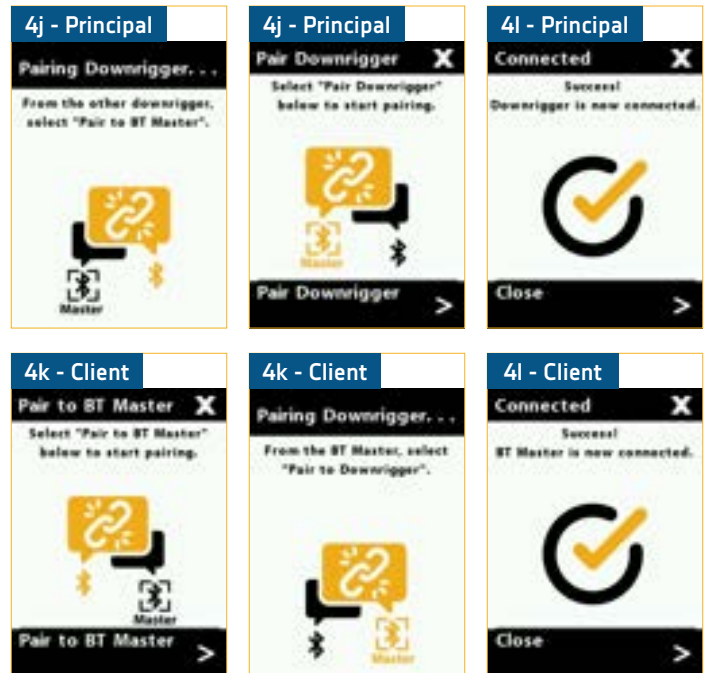
- h. L'affichage numérique du treuil de pêche BT principal suit des invites sur plusieurs écrans décrivant les critères pour le BT principal/treuil principal. Ils comprennent :
- Le BT principal partage des données avec tous les autres treuils dans le réseau.
 - Une sonde Fish Hawk en option peut seulement être jumelée au BT principal.
 - L'appli mobile Cannon peut seulement être jumelée au BT principal.
 - Le transducteur Cannon peut seulement être connecté au BT principal.
 - Le Humminbird compatible ne peut être connecté qu'au BT principal.
- Appuyez sur la touche vers la droite  pour lire et faire défiler ces écrans de messages.
- i. Le dernier écran demande : « Quel treuil de pêche voulez-vous désigner comme BT principal? » (Which downrigger do you want to assign as the BT Master?) Appuyez sur la touche vers la droite  pour sélectionner « Ce treuil » (This downrigger).



JUMELAGE DE DEUX TREUILS DE PÊCHE

4

- j. Sur le treuil principal, l'écran « Jumeler treuil » (Pair Downrigger) s'affiche. Utilisez la touche vers la droite  pour le sélectionner. L'affichage numérique affiche un message « Jumelage de treuil en cours... » (Pairing Downrigger....) Le treuil principal tente alors activement de se jumeler au treuil client.
- k. Sur le treuil client, l'écran « Jumeler au BT principal » (Pair to BT Master) s'affiche. Utilisez la touche vers la droite  pour le sélectionner. L'affichage numérique affiche un message « Jumelage de treuil en cours... » (Pairing Downrigger....) Lorsque ce message s'affiche, le treuil client tente activement de se jumeler au treuil principal.
- l. Les deux treuils demeurent en mode de jumelage pendant 30 secondes. Lorsque la connexion réussit, les deux treuils affichent un message « Connecté » (Connected).



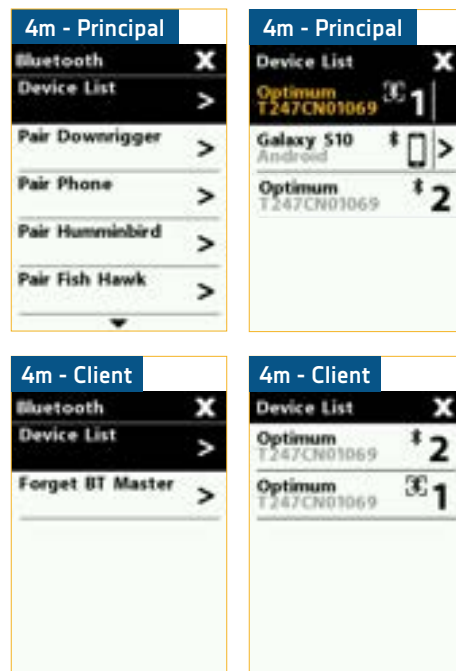
AVIS : Lorsque deux treuils de pêche sont jumelés, ils afficheront tous les treuils de pêche auxquels ils sont jumelés dans leur liste respective des appareils, sous le menu Bluetooth. Lorsque deux treuils de pêche sont jumelés, ils se reconnaissent. Afin que les treuils de pêche puissent se détecter, ils doivent être jumelés et en communication. Lorsque les treuils de pêche sont en « marche » et jumelés, ils peuvent se connecter. Lorsque les treuils de pêche sont connectés, ils peuvent communiquer activement. Lorsque les treuils de pêche jumelés sont mis hors tension, ils se connaissent, mais ils ne communiquent pas activement.

5

- m. Vous pouvez aussi confirmer que les treuils sont jumelés en consultant la liste des appareils (Device List) dans le menu Bluetooth. Le treuil principal est identifié dans la liste des appareils par le cadre autour de l'icône Bluetooth.

AVIS : les options figurant dans le menu Bluetooth sont différentes après qu'un treuil de pêche est jumelé à un autre treuil. Sur le treuil principal, l'option de jumelage avec d'autres treuils, un appareil ou un Fish Hawk demeure disponible. Sur un treuil client, le menu Bluetooth permet seulement d'afficher la liste des appareils ou d'oublier le BT principal.

- n. Pour jumeler d'autres treuils au treuil principal, répétez le processus avec le treuil principal et le nouveau treuil client à ajouter au réseau.




JUMELAGE DU TREUIL PRINCIPAL À UN HUMMINBIRD

JUMELAGE DU TREUIL PRINCIPAL À UN HUMMINBIRD >




Le jumelage d'un Humminbird à votre treuil de pêche principal permettra à votre treuil de pêche d'afficher des fonctionnalités, comme le suivi de fond, et vous donnera le contrôle à distance de vos treuils de pêche à partir de l'écran Humminbird. Il est important d'installer la dernière mise à jour du logiciel sur votre détecteur de poissons Humminbird pour activer les fonctions Cannon. Pour la série SOLIX, la version 3.710 et ultérieure est requise et, pour la série HELIX G2N/G3N, la version 2.250 et ultérieure est requise. Pour vérifier la compatibilité ou mettre à jour votre détecteur de poissons, veuillez visiter humminbird.com pour plus de détails. Le Humminbird doit être jumelé au treuil de pêche principal. Pour jumeler un Humminbird, suivez les étapes ci-dessous :

1

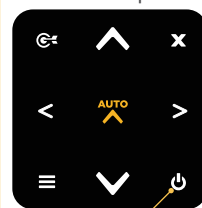
- a. Assurez-vous que le treuil principal est en marche en appuyant sur la touche de mise en marche  sur le clavier du treuil.
- b. Mettez le détecteur de poissons Humminbird sous tension.

Sur un Solix, appuyez sur la touche ACCUEIL (Home). Sélectionnez l'outil Bluetooth. Sous Cannon, sélectionnez Paramètres Cannon (Cannon Settings). Sélectionnez Jumeler l'appareil (Pair Device).

Sur un Helix, appuyez deux fois sur la touche MENU. Sélectionnez l'onglet Accessoires (Accessories). Sélectionnez Bluetooth Cannon. Appuyez sur la touche flèche DROITE. Sélectionnez Jumeler l'appareil (Pair Device). Appuyez sur la touche flèche DROITE.

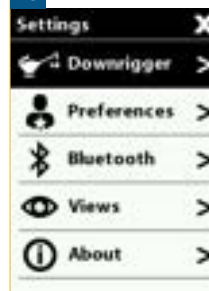
- c. Sur le treuil de pêche principal, appuyez deux fois sur le bouton  Menu pour accéder au menu Paramètres (Settings) sur l'écran ACL couleur.
- d. Du menu Paramètres (Settings), utilisez la touche vers le bas  pour défiler à l'élément Bluetooth. Appuyez sur la touche vers la droite  pour ouvrir le menu Bluetooth.

1a Clavier sur le treuil de pêche

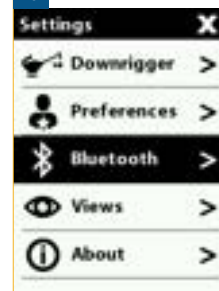


Bouton d'alimentation

1c

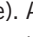




1d

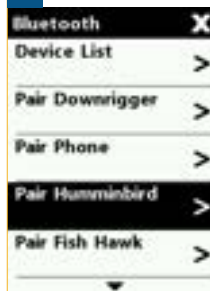


AVIS : Pour obtenir des instructions plus précises sur la façon de jumeler et d'utiliser votre treuil de pêche Cannon sur votre détecteur de poissons Humminbird, veuillez consulter le manuel du propriétaire. Vous pouvez le trouver en ligne sur humminbird.com.

2

- e. Dans le menu Bluetooth, utilisez la touche vers le bas  pour défiler à l'option Jumeler le téléphone (Pair Phone). Appuyez sur la touche vers la droite  pour continuer.
- f. L'écran ACL couleur affichera un écran « Jumeler Humminbird » (Pair Humminbird). Utilisez la touche vers la droite  pour confirmer que vous voulez jumeler le Humminbird.
- g. Pendant que le treuil de pêche recherche activement le Humminbird, un message « Jumelage en cours... » (Pairing...) s'affichera sur l'écran ACL couleur. Une fois le jumelage réussi, un écran de confirmation s'affiche et le Humminbird est jumelé avec succès.

2e



2f



2g







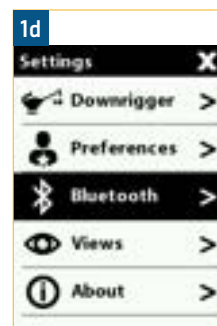
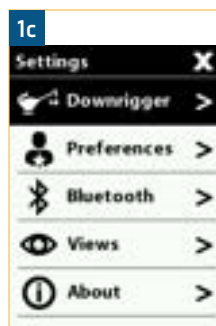
JUMELAGE DU TREUIL PRINCIPAL À UN FISH HAWK

JUMELAGE DU TREUIL PRINCIPAL À UN FISH HAWK >

Le jumelage d'un système Fish Hawk^{MC} X4D à votre treuil principal permet au treuil d'afficher la profondeur et la vitesse réelle du poids, la température à sa profondeur et la température et la vitesse à la surface. Le Fish Hawk doit être jumelé au treuil de pêche principal. Pour jumeler un Fish Hawk, suivez les étapes ci-dessous :




1

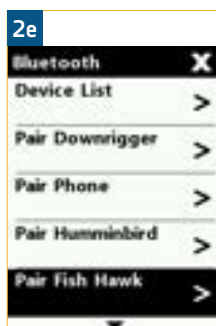
- Assurez-vous que le treuil principal est en marche en appuyant sur la touche de marche sur le clavier  du treuil.
- Mettez l'affichage du Fish Hawk X4D en marche. Une fois en marche, l'affichage transmet continuellement et attend la connexion de l'autre appareil.
- Sur le treuil principal, appuyez sur le bouton Menu  pour sélectionner le menu des paramètres sur l'LCD couleur.
- Du menu des paramètres, utilisez la touche vers le bas  pour défiler à l'élément Bluetooth. Appuyez sur la touche vers la droite  pour ouvrir le menu Bluetooth.



AVIS : le système Fish Hawk X4D doit être jumelé au treuil de pêche principal. Le système Fish Hawk X4D est le SEUL système Fish Hawk compatible qui puisse être jumelé au treuil de pêche. Les autres systèmes Fish Hawk ne sont pas compatibles avec les treuils Optimum et Optimum TS.

2

- Dans le menu Bluetooth, utilisez la touche vers le bas  pour défiler à l'option de jumelage du Fish Hawk. Appuyez sur la touche vers la droite  pour continuer.
- L'affichage numérique affiche un écran « Jumeler Fish Hawk » (Pair Fish Hawk). Utilisez la touche vers la droite  pour confirmer que vous voulez jumeler le Fish Hawk.
- Pendant que le treuil cherche activement le Fish Hawk, un message « Jumelage Fish Hawk... » (Pairing Fish Hawk...) apparaît sur l'affichage numérique. Une fois le jumelage réussi, un écran de confirmation s'affiche et le Fish Hawk est jumelé avec succès.



AVIS : une fois le treuil de pêche jumelé au Fish Hawk, les deux doivent être mis en marche afin de pouvoir communiquer. Si vous voulez enlever le Fish Hawk et rebâtir le réseau ou définir un nouveau treuil de pêche principal, vous devez effacer le réseau sur le treuil et rejumeler le Fish Hawk avec le nouveau treuil principal.

OUBLIER UN TREUIL SUR UN APPAREIL



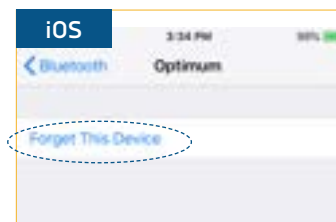
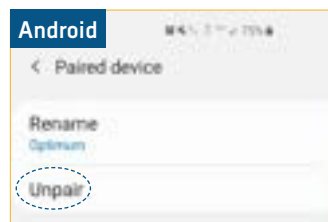
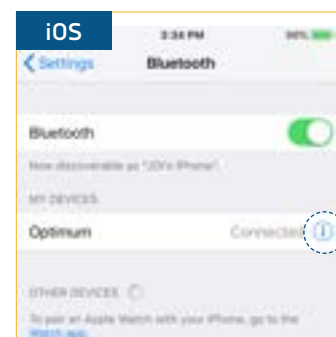
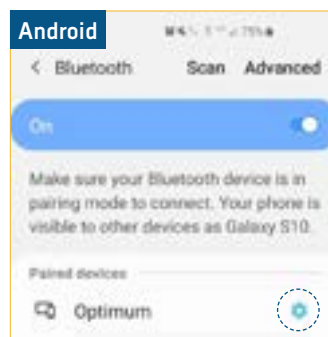
OUBLIER UN TREUIL SUR UN APPAREIL ►

Une fois un treuil Optimum jumelé avec un appareil, celui-ci se souviendra du treuil même si l'appareil et le treuil ne communiquent pas activement. Dans certains cas, il se peut que vous deviez effacer la mémoire de l'appareil et oublier tous les treuils jumelés. Pour ce faire, utilisez les paramètres Bluetooth de l'appareil.

1

- a. Ouvrez les paramètres Bluetooth de l'appareil.
- b. Une liste des appareils jumelés s'affiche. L'apparence de la liste d'un appareil Android ou iOS différera.
- c. Dans un appareil Android, sélectionnez l'icône Paramètres à côté de l'appareil dans la liste des appareils jumelés. Quand l'écran suivant s'affiche, trouvez l'option déjumeler, puis sélectionnez-la.
- d. Dans un appareil iOS, sélectionnez l'icône « i » ⓘ contre l'appareil dans la liste Mes appareils. Quand l'écran suivant s'affiche, repérez l'option Oublier cet appareil (Forget this Device), puis sélectionnez-la.
- e. Une fois l'appareil déjumelé ou oublié, il ne peut plus être jumelé ni communiquer avec l'appareil et il ne sera plus visible à l'appli Cannon ou à l'appareil.

AVIS : Les images sont fournies à titre indicatif et peuvent varier en fonction de votre appareil et de votre système d'exploitation.



OUBLIER UN APPAREIL, UN HUMMINBIRD, UN FISH HAWK OU UN TREUIL DE PÊCHE SUR UN TREUIL DE PÊCHE

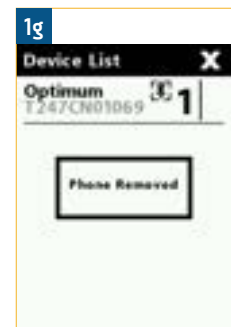
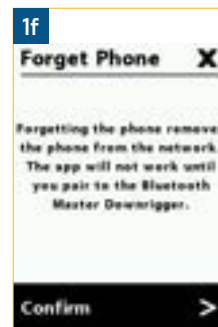
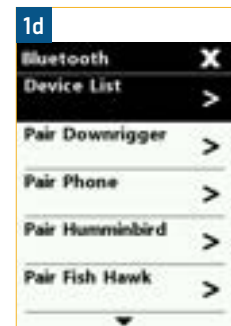
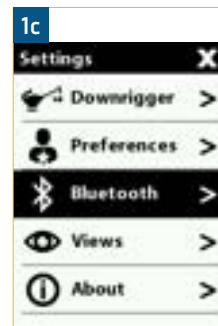
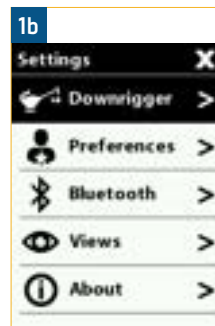
OUBLIER UN APPAREIL, UN HUMMINBIRD, UN FISH HAWK OU UN TREUIL DE PÊCHE SUR UN TREUIL DE PÊCHE ➤

Une fois un appareil jumelé avec un treuil Optimum, le treuil se souviendra de l'appareil même si l'appareil et le treuil ne communiquent pas activement. C'est également vrai dans le cas de deux treuils jumelés ou d'un treuil jumelé à un système de détecteur de poissons Humminbird ou Fish Hawk X4D. Dans certains cas, il se peut que vous deviez effacer la mémoire du treuil et oublier tous les appareils ou treuils jumelés. À cette fin, utilisez le menu Paramètres du treuil de pêche.


AVIS : pour enlever un appareil, un Fish Hawk, un Humminbird ou un treuil de pêche particulier du réseau du treuil, enlevez-les un à la fois en utilisant les options dans la liste des appareils. Pour enlever tous les dispositifs jumelés à un treuil particulier, suivez les instructions de la section « Effacement du réseau du treuil » (Clearing the Downrigger Network) de ces instructions.

1

- Mettez le treuil de pêche principal en « marche » en appuyant sur le bouton  de marche sur le clavier.
- Sur le clavier du treuil, appuyez sur le bouton Menu  pour sélectionner le menu des paramètres (Settings) sur l'LCD couleur.
- Du menu des paramètres, utilisez la touche vers le bas  pour défiler à l'élément Bluetooth. Appuyez sur la touche vers la droite  pour ouvrir le menu Bluetooth.
- Dans le menu Bluetooth, utilisez la touche vers le bas  pour défiler à la liste des appareils. Appuyez sur la touche vers la droite  pour continuer.
- Dans la liste des appareils, sélectionnez l'appareil, le Humminbird, le Fish Hawk ou le treuil de pêche que le treuil doit oublier. Utilisez la touche vers le bas  ou vers le haut  pour faire défiler la liste dans un sens ou dans l'autre pour vous y rendre. Utilisez le bouton Vers la droite  pour le sélectionner.
- Une fois la sélection faite, l'affichage ACL couleur du treuil affiche l'écran « Oublier un téléphone », « Oublier le Humminbird », « Oublier le Fish Hawk » ou « Oublier le treuil » (Forget Phone, Forget Humminbird, Forget Fish Hawk ou Forget Downrigger). Utilisez le bouton vers la droite  pour confirmer que le treuil doit oublier l'équipement sélectionné.
- Le treuil de pêche fait clignoter le message « Téléphone enlevé », « Humminbird enlevé », « Fish Hawk enlevé » ou « Treuil enlevé » (Phone Removed, Humminbird Removed, Fish Hawk Removed ou Downrigger Removed) afin de confirmer qu'il a été supprimé de la mémoire.



AVIS : oublier un téléphone, un Humminbird, un Fish Hawk ou un treuil les élimine du réseau. L'appli Cannon ne fonctionnera pas avant que vous ayez jumelé l'appareil avec l'appli au treuil de pêche Bluetooth principal.

AVIS : pour quitter le menu, appuyez sur la touche de fermeture  sur le clavier du treuil.

EFFACEMENT DU RÉSEAU DU TREUIL DE PÊCHE

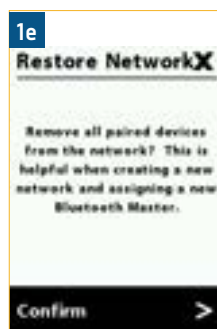
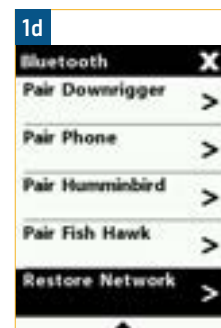
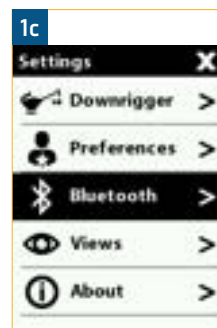
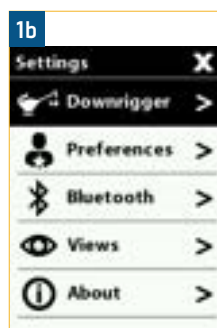


EFFACEMENT DU RÉSEAU DU TREUIL DE PÊCHE >

Une fois un appareil ou un treuil jumelé à un treuil Optimum, celui-ci s'en souviendra même si l'appareil et le treuil ne communiquent pas activement avec le treuil auquel ils sont jumelés. Dans certains cas, il se peut que vous deviez effacer la mémoire du treuil principal et oublier tous les appareils ou treuils jumelés dans le Fish Hawk. À cette fin, utilisez le menu Paramètres (Settings) du treuil principal. Les appareils dans un réseau Cannon peuvent inclure le système Fish Hawk 4XD, un autre treuil ou un appareil jumelé. La restauration du réseau sur le treuil de pêche est utile lors de la création d'un nouveau réseau ou de la désignation d'un nouveau Bluetooth principal. La restauration du réseau aide à effacer d'un seul coup tout ce qui avait été jumelé. Si vous voulez seulement effacer un appareil jumelé particulier du réseau, suivez les instructions de la section « Oublier un appareil, un Humminbird, un Fish Hawk ou un treuil de pêche sur un treuil » dans ce manuel.

1

- Mettez le treuil de pêche principal en marche en appuyant sur la touche de marche sur le clavier.
- Sur le clavier du treuil, appuyez sur le bouton Menu pour sélectionner le menu des paramètres (Settings) sur l'LCD couleur.
- Du menu des paramètres, utilisez la touche vers le bas pour défiler à l'élément Bluetooth. Appuyez sur la touche vers la droite pour ouvrir le menu Bluetooth.
- Dans le menu Bluetooth, utilisez la touche vers le bas pour défiler à l'option de restauration du réseau. Appuyez sur la touche vers la droite pour continuer.
- Une fois la sélection faite, l'affichage numérique du treuil de pêche affiche l'écran de restauration du réseau. Utilisez le bouton vers la droite pour confirmer que le treuil doit oublier tous les appareils dans le réseau.
- Le treuil fait clignoter un message « Réseau restauré » afin de confirmer que tous les appareils et treuils ont été supprimés de la mémoire.










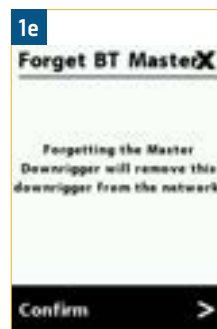
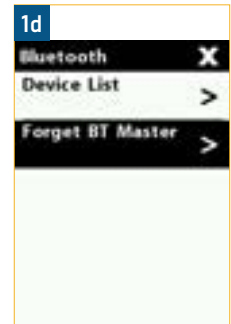
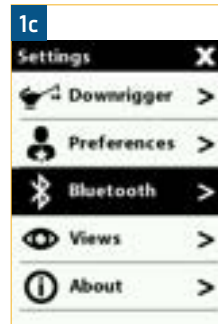
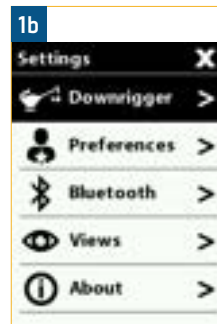
EFFACEMENT DU TREUIL PRINCIPAL DU TREUIL CLIENT

EFFACEMENT DU TREUIL PRINCIPAL DU TREUIL CLIENT >

Il peut être nécessaire d'enlever un treuil de pêche client du réseau. Vous pouvez le faire sans interrompre le reste du réseau simplement en éliminant le treuil principal du treuil client. Cela peut être utile lors du déplacement d'un treuil client à un autre réseau ou du remplacement d'un treuil dans un réseau existant par un autre.

1

- Mettez le treuil client en marche en appuyant sur la touche de marche  sur le clavier.
- Sur le clavier du treuil, appuyez sur le bouton Menu  pour sélectionner le menu des paramètres (Settings) sur l'LCD couleur.
- Du menu des paramètres, utilisez la touche vers le bas  pour défiler à l'élément Bluetooth. Appuyez sur la touche vers la droite  pour ouvrir le menu Bluetooth.
- Dans le menu Bluetooth, utilisez la touche vers le bas  pour défiler à l'option Oublier le BT principal (Forget BT Master). Appuyez sur la touche vers la droite  pour continuer.
- Une fois la sélection faite, l'affichage numérique du treuil de pêche affiche l'écran Oublier le BT principal (Forget BT Master). Utilisez le bouton vers la droite  pour confirmer que le treuil doit oublier le treuil principal.
- Le treuil de pêche fait clignoter le message Treuil enlevé (Downrigger Removed) afin de confirmer qu'il a été supprimé de la mémoire.



AVIS : oublier le treuil principal élimine ce treuil du réseau.

MISE À JOUR DE L'APPLI CANNON ET DES TREUILS DE PÊCHE DANS UN RÉSEAU


MISE À JOUR DE L'APPLI CANNON ET DES TREUILS DE PÊCHE DANS UN RÉSEAU >

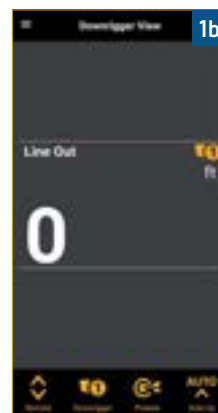
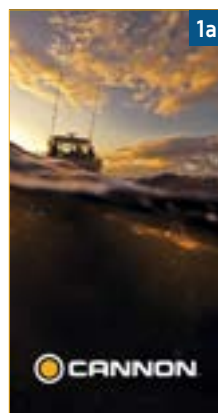
Toute mise à jour du treuil de pêche Cannon se fait au moyen de l'appli Cannon à partir d'un appareil mobile jumelé. Si le treuil n'est pas connecté à un appareil, consultez la section « Jumelage d'un appareil à un seul treuil de pêche » dans ce manuel. Avant de faire la mise à jour du treuil, vérifiez s'il y a des mises à jour de l'appli dans l'appareil mobile en vérifiant s'il y en a dans la boutique Apple App Store pour les appareils iOS, ou la boutique Google Play pour les appareils Android. Il faut effectuer les mises à jour de l'appli Cannon avant de continuer et de voir s'il y a des mises à jour pour le logiciel de treuil de pêche. Assurez-vous que le treuil est jumelé et qu'il communique avec l'appareil mobile et que tous les treuils sont en marche. Lors de la mise à jour d'un treuil de pêche jumelé à d'autres treuils, il est préférable d'envoyer la mise à jour au treuil principal. Le treuil principal forcera la mise à jour aux treuils clients jumelés dans le réseau. Reportez-vous à la section Application Cannon de ces instructions (p. 85) pour plus d'informations sur la manière d'utiliser l'application du treuil de pêche.

1

- a. Ouvrez l'appli Cannon sur l'appareil mobile.

AVIS : si vous n'êtes pas connecté aux treuils de pêche, vous pouvez sélectionner le « Mode de démonstration » (Demo Mode) dans l'appli Cannon pour vous rendre à l'option des mises à jour de logiciel. Vous pouvez alors sélectionner l'élément grisé Optimum pour connaître la version installée actuelle ou la plus récente mise à jour disponible.

- b. Dans l'appli, ouvrez le menu en appuyant sur la touche Menu . La touche Menu se trouve dans le coin supérieur gauche de l'appli.
- c. Dans le menu, sélectionnez l'option de mise à jour du logiciel (Software Update).



2

- d. Dans l'écran de mise à jour du logiciel, l'appli indiquera si une mise à jour est disponible. Elle affiche aussi tous les treuils de pêche dans le réseau et la version de leur logiciel. Si une mise à jour est indiquée, un bouton de téléchargement (Download) est affiché. Sélectionnez le bouton pour télécharger la mise à jour de l'appli Cannon.
- e. Si la mise à jour de l'appli Cannon comprend une mise à jour du treuil Cannon Optimum, l'écran de mise à jour du logiciel (Software Update) affiche alors un bouton de « Transfert » (Transfer). Vérifiez si les treuils Optimum sont en marche et qu'ils sont tous connectés au réseau.

AVIS : les treuils doivent être en marche pour accepter les mises à jour du logiciel.

- f. Sélectionner le bouton de transfert envoie la mise à jour du logiciel Optimum aux treuils.



AVIS : Le téléchargement de la mise à jour à l'appareil mobile exige une connexion WiFi ou cellulaire. Une fois la nouvelle mise à jour téléchargée à l'appareil, le transfert aux treuils de pêche par le réseau ne nécessite pas de connexion WiFi ou cellulaire.

MISE À JOUR DE L'APPLI CANNON ET DES TREUILS DE PÊCHE DANS UN RÉSEAU

3

- g. L'appli Cannon et le treuil de pêche donnent une alerte lorsque le transfert de la mise à jour est en cours.
- h. Lorsque le transfert de la mise à jour aux treuils est terminé, les treuils redémarrent. Le treuil principal communique la mise à jour transférée par l'appli Cannon à tous les treuils clients jumelés.

AVIS : ne coupez pas l'alimentation durant la mise à jour du logiciel. Le treuil redémarre lorsque l'installation est terminée.



PÊCHE AVEC LE TREUIL DE PÊCHE

RACCORDEMENT DU TRANSDUCTEUR CANNON >

Le transducteur Cannon (article n° 1491072) est un accessoire en option disponible pour votre treuil de pêche Optimum ou Optimum TS. Avec le transducteur, le treuil Optimum peut afficher la profondeur de l'eau et utiliser la fonction de Suivi du fond (Bottom Track).

L'installation correcte du transducteur est critique pour le bon fonctionnement de la fonction de suivi du fond. Pour les meilleurs résultats, suivez toutes les instructions de montage du transducteur Cannon attentivement avant de le brancher au treuil de pêche Optimum.

Une fois le transducteur installé conformément aux instructions fournies, acheminez le câble du transducteur à votre treuil de pêche. Lors de l'acheminement du câble de transducteur, tenez compte des facteurs suivants :

- Acheminez le câble de manière à ne pas endommager sa gaine.
- Gardez le câble de transducteur à l'écart de l'allumage, du compte-tours, de l'alternateur et de tout autre câblage électrique afin d'éviter les interférences.
- Ne coupez pas le câble du transducteur, ne l'épissez pas et ne le raccourcissez pas. Enroulez l'excédent de câble dans une boucle en 8 et fixez-le à un endroit où il ne posera pas de risque de trébuchement et où il ne sera pas susceptible d'être endommagé.
- Le raccordement du transducteur Cannon à treuil de pêche Bluetooth connecté en réseau à au moins un autre treuil en fait le treuil principal. Si un treuil principal existe déjà dans le réseau, le raccordement du transducteur à un des autres treuils perturbera le réseau. Consultez la section « Connexion du treuil de pêche » dans ce manuel pour plus d'information sur la connectivité des treuils et sur le treuil principal.

⚠ AVERTISSEMENT

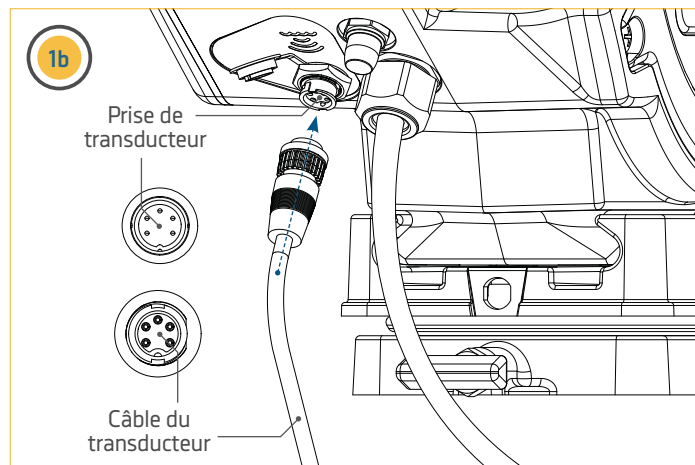
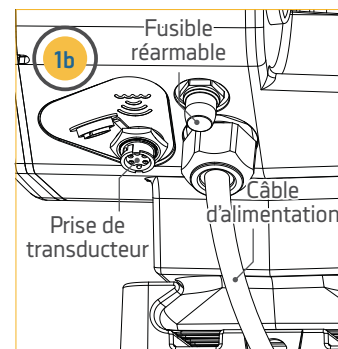
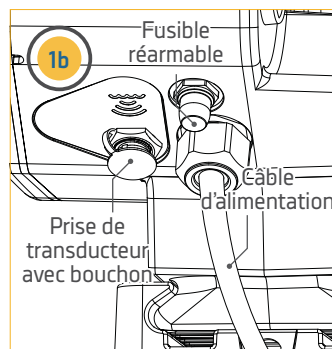
Toute coupure, toute épissure ou tout raccourcissement du câble du transducteur, y compris le retrait du connecteur, annule la garantie du produit.

1

- a. Avant de brancher le transducteur Cannon à un treuil Optimum, assurez-vous que le treuil est hors circuit.

AVIS : le câble du transducteur doit être branché au treuil avant que ce dernier soit mis en marche.

- b. Relisez les facteurs concernant l'acheminement du câble du transducteur ci-dessus et acheminez-le dans le bateau de manière à ce qu'il se rende au treuil en respectant les lignes directrices.
- c. Repérez la prise de transducteur sous le corps du treuil de pêche. La prise du transducteur est située juste à gauche de la sortie du câble d'alimentation sous le corps du treuil. La prise de transducteur est recouverte par un bouchon attaché afin d'assurer l'étanchéité du corps du treuil. Enlevez le bouchon de manière à pouvoir brancher le câble du transducteur Cannon.
- d. Examinez la prise de transducteur et l'extrémité du câble du transducteur Cannon. Vous noterez que le raccord est claveté. Alignez les clavettes et poussez fermement sur la connexion.



INSTALLATION DE L'ASSEMBLAGE DE MOUSQUETON AVEC ISOLANT



INSTALLATION DE L'ASSEMBLAGE DE MOUSQUETON AVEC ISOLANT >

Le mousqueton avec isolant est utilisé pour couper toute connexion électrique entre le treuil de pêche et l'eau. Cet isolant est utilisé avec les fonctions Arrêt court (Short Stop) et de Contrôle positif des ions (Positive Ion Control) du treuil.

Arrêt court est une fonction exclusive à Cannon qui arrête automatiquement la plombée à la surface de l'eau, empêchant le moteur de levage de le soulever dans la poulie à l'extrémité de la flèche. Lorsque la ligne du treuil de pêche est dans l'eau, un faible courant électrique circule entre la ligne et les composants métalliques du bateau mis à la masse dans l'eau. Lorsque la ligne sort de l'eau, le courant cesse de circuler. Le système d'arrêt court détecte cette interruption et arrête le moteur. L'isolant de la plombée de pêche à la traîne sert à couper le contact de la ligne à l'eau alors que la plombée est encore immergée. Arrêter la levée de la plombée au niveau de l'eau élimine la contrainte sur la ligne causée par le ballonnement de la plombée et l'empêche de heurter l'extrémité de la flèche ou la coque du bateau. Cette fonction est offerte de série sur tous les treuils de pêche électriques Cannon et exige que le bateau soit correctement mis à la masse et qu'un câble électriquement conducteur tel que l'acier inoxydable soit utilisé. Cette fonctionnalité ne fonctionnera pas avec les lignes mono ou tressées.

Contrôle positif des ions (Positive Ion Control) est une fonction basée sur le principe de l'appli d'un champ électrique positif à faible tension dans l'eau où vous pêchez afin d'attirer le poisson et d'augmenter vos chances d'en attraper. Étant donné que le poisson est attiré par une faible charge électrique positive et repoussé par une forte charge électrique positive ou négative, la génération et le contrôle de la charge parfaite peuvent être critiques pour la réussite de votre expédition de pêche. Lorsque le PIC est activé et que le treuil de pêche est équipé d'une ligne conductrice d'électricité, l'isolant aide à rompre la connexion avec l'eau afin que le champ électrique positif émis par la ligne du treuil soit interrompu.

1

Articles requis :



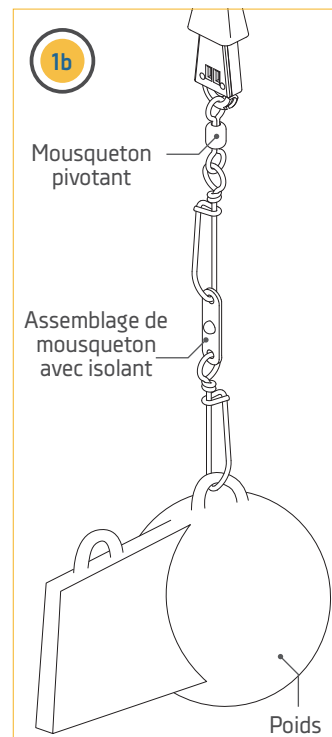
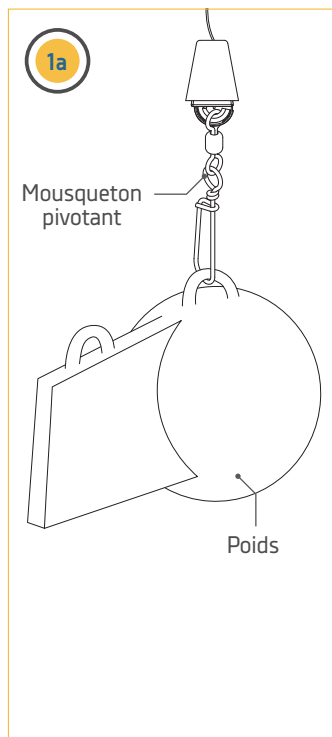
#34 x 1

- Avant d'installer l'assemblage de mousqueton avec isolant, effectuez la terminaison du treuil de pêche conformément à ces instructions. Le câble correctement terminé peut supporter un poids qui lui est attaché directement.
- Pour commencer, assurez-vous que le poids n'est pas attaché au mousqueton pivotant. Attachez alors l'assemblage de mousqueton avec isolant (article n° 34) au mousqueton pivotant.
- Le poids peut alors être attaché à l'assemblage de mousqueton avec isolant.

AVIS : dans certains cas, il peut être nécessaire d'utiliser deux assemblages de mousqueton avec isolant l'un après l'autre pour couper la connexion électrique avec l'eau.

ATTENTION

Ne surchargez pas le treuil de pêche. Il est conçu pour récupérer un poids maximum de 20 lb (9,1 kg).



FIXATION D'UN DISPOSITIF DE DÉVIDAGE DE LA LIGNE



FIXATION D'UN DISPOSITIF DE DÉVIDAGE DE LA LIGNE >

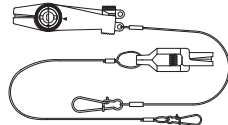
La dernière étape de la préparation du treuil pour la pêche est de fixer le dispositif de dévidage de la ligne. Pour fixer le dispositif de dévidage, installez d'abord le poids Cannon et suivez ensuite les étapes ci-dessous.



Vous pouvez écouter une vidéo sur la manière d'installer un dispositif de dévidage de la ligne en suivant ce lien <https://youtu.be/qpONbVgbbt8>

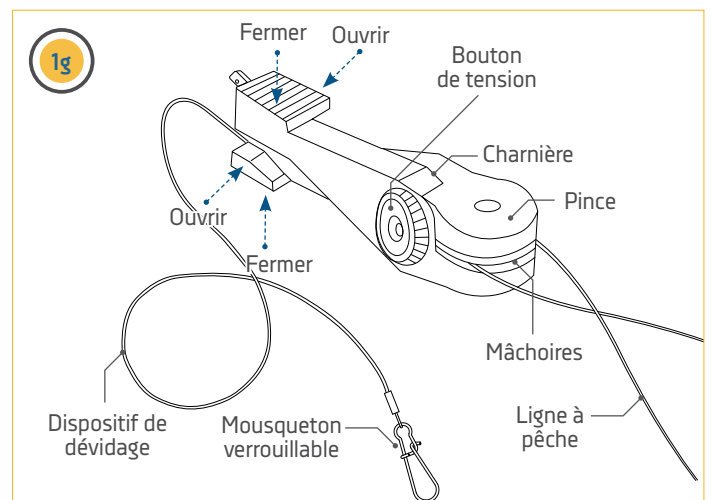
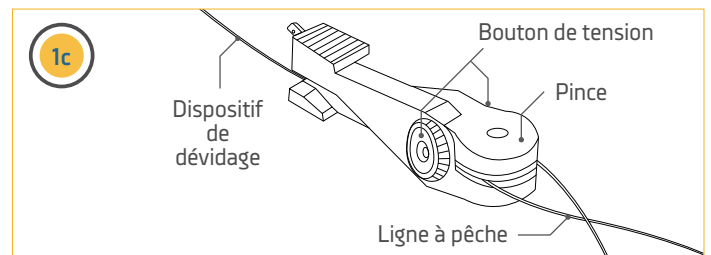
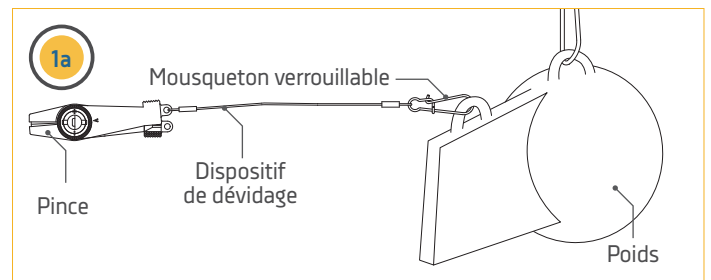
1

Articles requis :



#J ou S x 1

- Fixez l'extrémité avec le mousqueton verrouillable du dispositif de dévidage (article J ou S) au poids.
- Dévidez de la ligne du moulinet de la canne à pêche afin que l'appât soit de 5 à 100 pieds (1,5 à 30 m) derrière le bateau. Déterminez la distance à laquelle vous voulez que la ligne de la canne à pêche suive le poids et sélectionnez un point où attacher la ligne.
- Faites une boucle dans la ligne à pêche au point où vous voulez attacher la ligne. Attachez solidement la ligne de la canne à pêche dans la pince du dispositif de dévidage à la boucle que vous venez de former.
- Effectuez une série de déclics de tension croissante sur la pince. Le dispositif de dévidage de la ligne peut être utilisé avec n'importe quelle ligne à pêche pour l'eau salée ou douce et peut être ajusté avec une tension de prise de 2 à 22 lb (1 à 10 kg) sur la ligne.
- Une fois le dispositif de dévidage de la ligne attaché à la ligne à pêche, assurez-vous que la canne est tenue solidement ou placée dans un porte-canne et ouvrez le moulinet afin que la ligne puisse être tirée.
- Réglez ensuite la profondeur du treuil afin d'abaisser le poids à la profondeur voulue.
- Une fois le poids du treuil de pêche à la profondeur voulue, reprenez le mou dans la ligne afin que votre canne soit légèrement courbée. Lorsqu'un poisson mord l'appât, la ligne se détachera du dispositif de dévidage. La ligne est alors dégagée et vous pouvez alors rentrer le poisson avec la canne et le moulinet.



AVIS : pour changer la tension de dévidage de la ligne pour l'eau douce, tournez le bouton de tension vers (+) pour l'augmenter ou vers (-) pour la réduire. La tension peut aussi varier selon sa position entre les mâchoires de la pince. La tension sur la ligne est plus forte si elle est placée vers l'arrière, vers la charnière, et plus faible si elle est placée plus près de l'ouverture. Pour ouvrir le dispositif de dévidage, écartez les bras de déclenchement avec le pouce et l'index en exerçant une pression sur les côtés.

FIXATION D'UN DISPOSITIF DE DÉVIDAGE DE LA LIGNE

L'installation de votre treuil de pêche Optimum est terminée. Vous pouvez télécharger le manuel du propriétaire complet à cannondownriggers.com.

ACCESSOIRES RECOMMANDÉS

PORTE-CANNES ET SYSTÈMES DE RAILS

Des porte-cannes polyvalents incroyables, des bases et des plaques très solides. C'est tout ce qu'il vous faut pour équiper votre bateau selon votre mode de pêche; et tout peut se monter sur notre système de rails, qui comprend des composants interchangeables fabriqués en aluminium à résistance élevée.



Porte-canne Ajustable À Deux Axes



Rail De Fixation En Aluminium



Socle À Base Pivotante

FIXATIONS

Équipez-le et pêchez à votre guise avec diverses options de montage qui conviennent à votre mode de pêche.



Base Pivotante



Plaque De Pont



Fixation Par Suspension À La Cardan

DISPOSITIFS DE DÉVIDAGE DE LIGNE ET POIDS

Nous offrons une grande variété d'accessoires pour treuils de pêche, conçus pour vous offrir la meilleure expérience de pêche:



- Dispositif de dévidage Uni-Line
- Dispositif de dévidage Uni-Stacker
- Poids de 4 à 12 lb (1,8 à 5,4 kg)

Pour une liste complète des accessoires de Cannon, visitez cannondownriggers.com



cannondownriggers.com

Part #3397138



Cannon Consumer & Technical Service
Johnson Outdoors Marine Electronics, Inc.
PO Box 8129
Mankato, MN 56002-8129

ECN 42094

121 Power Drive
Mankato, MN 56001
Phone (800) 227-6433
Fax (800) 527-4464



©2021 Johnson Outdoors Marine Electronics, Inc.
All rights reserved.

Rev D

08/21