

WINDTRAK™ 15

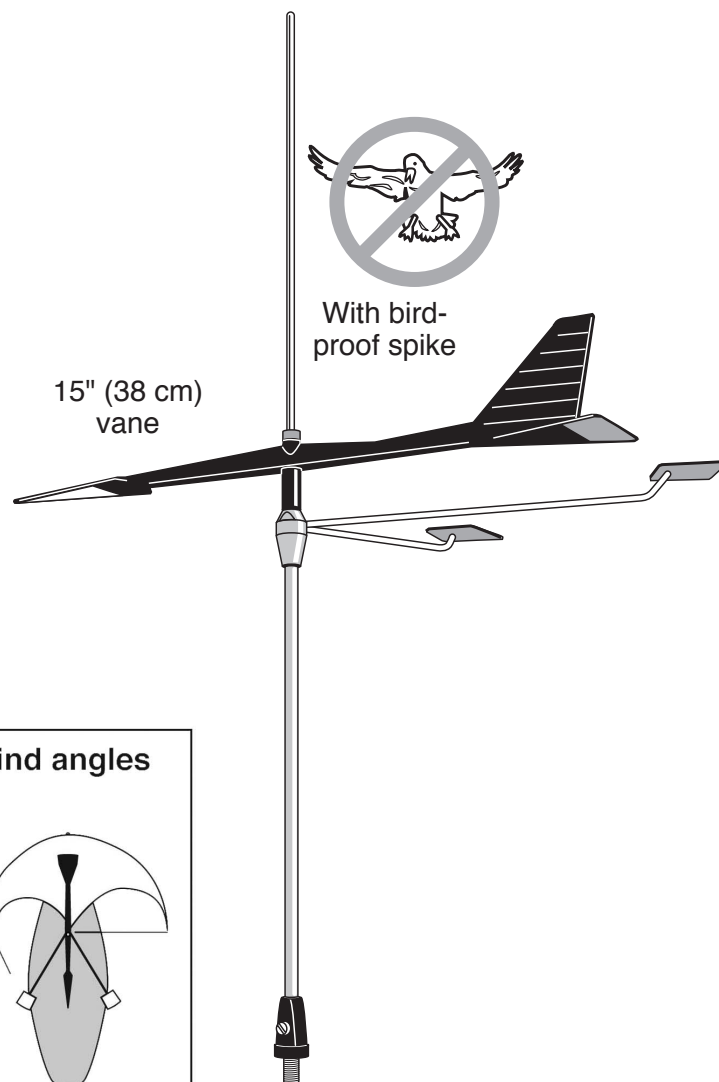
USE INSTRUCTIONS

See separate document for assembly and mounting.

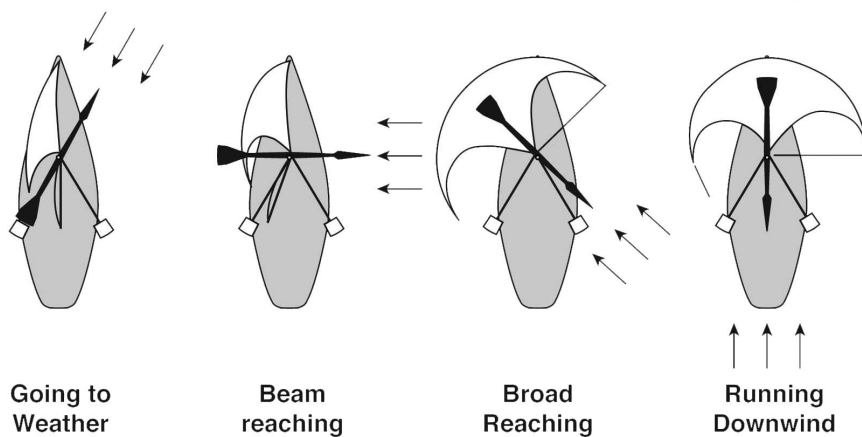
**15" wind direction indicator for sailboats—
the choice for most sailors**

WindTrak 15 features:

- Low friction sapphire jewel bearing suspension
- Sensitive and accurate to wind speeds less than one knot
- Vane of tough, UV rated engineering plastic... light and strong
- Wind tunnel tested to 80 knots
- Visible night or day
- Bird-proof spike discourages birds from landing
- Easily equipped with WindTrak Light (#3200)



WindTrak vane positions at different apparent wind angles



To adjust the tacking arm angle to match upwind performance, refer to the template on next page.

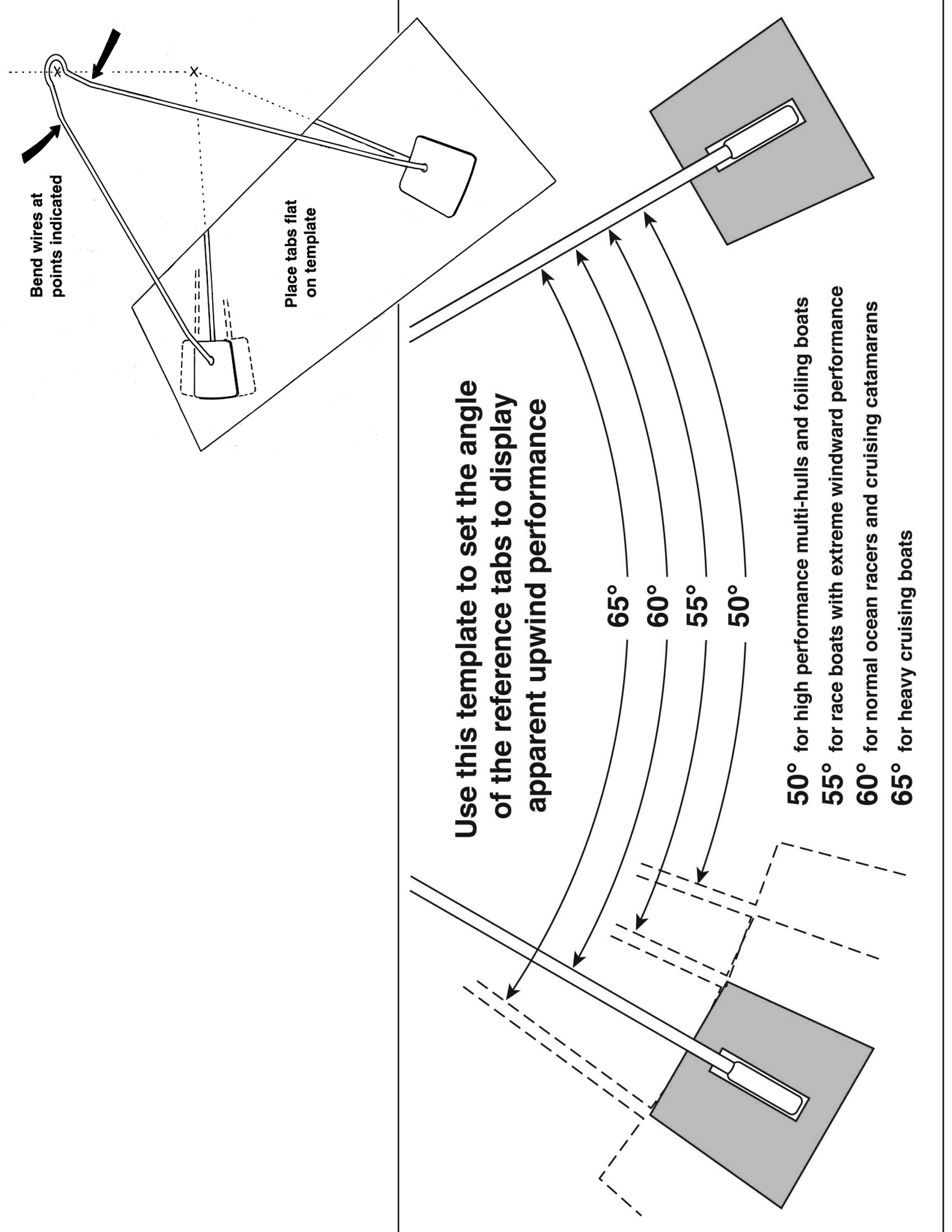
Bend wires at points indicated

Place tabs flat on template

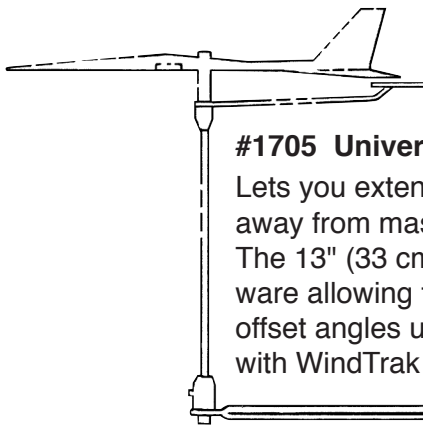
Use this template to set the angle of the reference tabs to display apparent upwind performance

65°
60°
55°
50°

- 50° for high performance multi-hulls and foiling boats
- 55° for race boats with extreme windward performance
- 60° for normal ocean racers and cruising catamarans
- 65° for heavy cruising boats

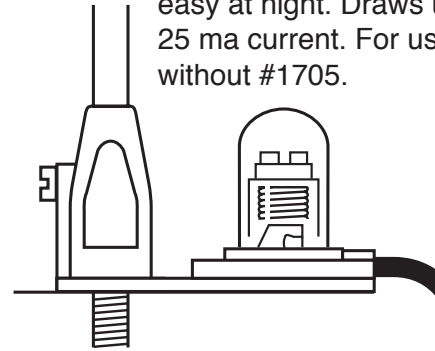


WindTrak 15 Accessories



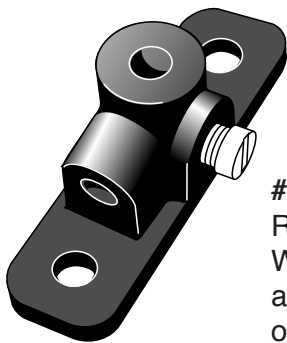
#1705 Universal Masthead Mount

Lets you extend your WindTrak 15 away from masthead obstructions. The 13" (33 cm) arm comes with hardware allowing top or side mounting and offset angles up to 20°. Can be used with WindTrak Light #3200.



#3200 WindTrak Light

Makes viewing your WindTrak easy at night. Draws under 25 ma current. For use with or without #1705.

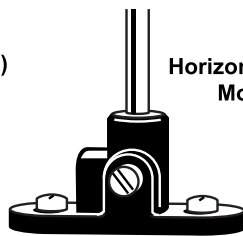


#3155 J-Base

Replaces the standard WindTrak 15 mounting base to allow side, top or front mounting on most masts.



Vertical (side)
Mount



Horizontal (top)
Mount

The Complete WindTrak Line...

WindTrak models are available for every sailor's needs.

- | | |
|-------------|---|
| 3120 | WindTrak 10
10" (25 cm) vane,
for small boats and dinghies |
| 3150 | WindTrak 15
15" (38 cm) vane,
the choice for most sailors |
| 3160 | WindTrak AV
15" (38 cm) vane, for mounting
on whip antennas, combining two
installations in one |

Tips for using your WindTrak:

- Always assemble your WindTrak with Loctite® or use silicone seal on the threads to eliminate the possibility of the unit unscrewing in use from vibration.
- Prior to unstepping your mast, take your WindTrak down first.
Periodically check the assembly screws holding your WindTrak together.
- Lubrication is never needed, but years of salt or dirt build-up should be rinsed off with fresh water occasionally.

Replacement Parts for WindTrak 15

Spare parts can be ordered from your local dealer or from Davis; identify which model you have before calling.

- | | |
|--------|---------------------------------------|
| 3151 | Spare Vane for WindTrak 15 |
| R3150E | WindTrak 15 Spike w. sapphire bearing |
| R3152 | Extra Reference Tab Assembly |

Davis Instruments

3465 Diablo Avenue, Hayward, CA 94545 U.S.A.

www.davisinstruments.com