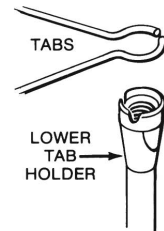
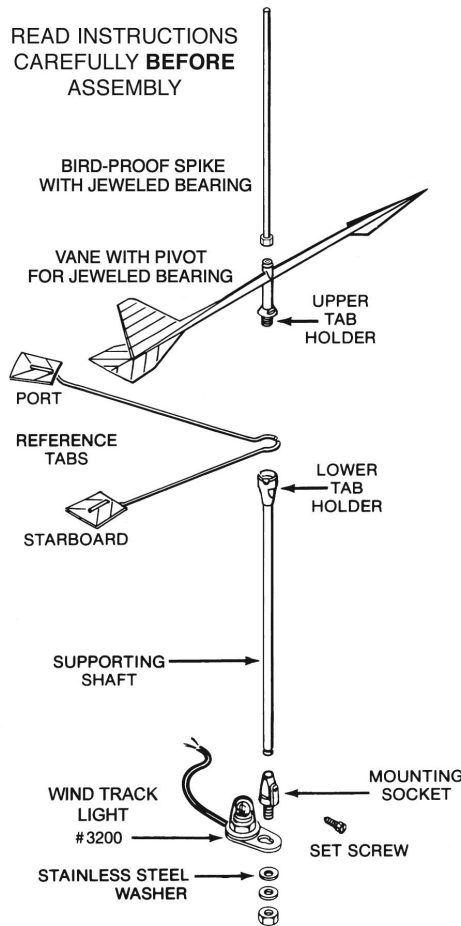


WINDTRAK™ 15

ASSEMBLY and MOUNTING

See separate document for use instructions.

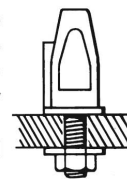


Be careful to align tab arms so that each projects out through its cutout in the lower tab holder. Tabs should be approximately horizontal (red reflecting side downwards). Screw in upper tab holder a little at a time using wrench while insuring that tab arms remain in proper position. Tighten securely.

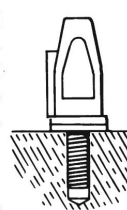
4. SET TAB ANGLE. Using template printed on bottom of box, check reference tabs for the proper angle for your boat and, if required, adjust by bending tab arms very slightly. See recommendations on box.

5. INSTALL MOUNTING SOCKET. If your mast-head is not already prepared for mounting of a Wind Track wind direction indicator, one of the following procedures should be used:

a. Where mounting socket can be secured with a nut (i.e. to mast-head fitting), drill hole 5/16" (8 mm) and lock mounting socket by securely tightening nut provided. Be sure to use the stainless steel washers as indicated.



b. On wooden masts, drill vertical hole 1/4" (6.5 mm) approx. 1" (24.4 mm) deep into wood and thread socket into hole using strong glue (epoxy works best) on threads to achieve permanent mounting.



c. On metal or fiberglass masts, drill hole 1/4" (6.5 mm) and tap 5/16" (8 mm) x 18. Fit securely using washers as shown above, and use glue (epoxy or thread lock) on threads for permanent mounting.



Note: If the WindTrak Light (#3200) is being used, no washers are necessary under the mounting socket.

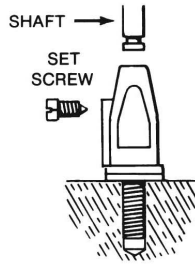
1. UNPACK CAREFULLY. Remove vane and supporting shaft from box. Then, by carefully lifting tab arms near tabs, raise cardboard insert and slide tabs out. Do not discard box.

2. REMOVE SUPPORT SHAFT. Remove the shaft from the mounting socket by loosening set screw for easier assembly and mounting.

3. ASSEMBLY. To ensure parts do not vibrate loose and to keep moisture out of the lower tab holder, it is best to use silicone adhesive during this assembly. Epoxy may also be used, although parts cannot be disassembled once compound has cured. Apply adhesive directly to threads and area inside of lower tab holder. Adhesive that contacts the shaft or clip at the bottom of the upper tab holder will not affect the vane's performance. Avoid applying an excessive amount of adhesive, as this may not allow the upper tab holder to seat properly. Screw upper tab holder approximately 1-1/2 turns into lower tab holder, leaving enough space to insert ends of port and starboard tab arms into circular groove of lower tab holder.

6. FINAL ADJUSTMENTS AND ASSEMBLY. With socket mounted securely, insert supporting shaft into mounting socket and rotate until reference tabs point symmetrically aft. It is extremely important that starboard and port reference tab arms form the same angle to boat's centerline. The mast spreaders are often a good reference when centering tabs.

With tabs centered accurately, fill set screw hole on side of mounting socket with silicone adhesive. Position locking set screw in hole and securely tighten with wrench or screwdriver. The pointed tip of the locking screw fits into the groove at lower end of supporting shaft.



A mark or scratch scribed on the outside of the supporting shaft and mounting socket will help in repositioning them, guaranteeing the proper reference tab positions every time.

Finally, thread the bird-proof spike onto the top of the vane.

WARNING: Do not overtighten, which could crack the vane. If the spike is not desired, use a hacksaw to cut it off flush with its mounting nut. The nut itself, however, must be installed since it contains the jeweled bearing.

MAINTENANCE. WindTrak 15 requires no lubrication, but years of salt or dirt build-up should be rinsed off with fresh water occasionally. Check the assembly screws holding your WindTrak together periodically. Prior to unstepping your mast, take your WindTrak down first. Spare parts can be ordered from your local dealer or from Davis.

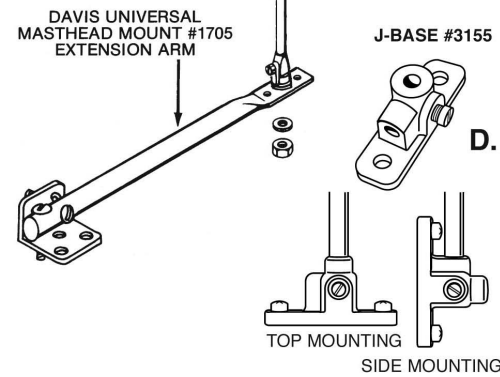
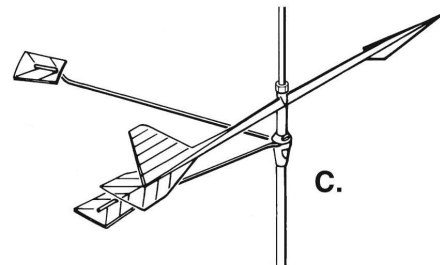
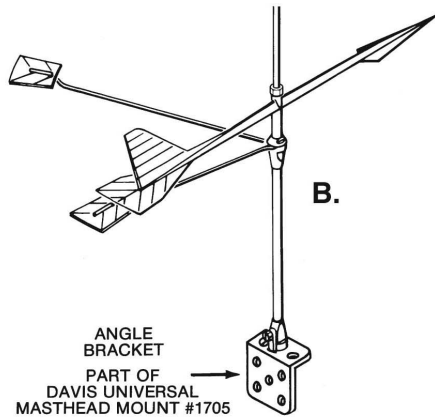
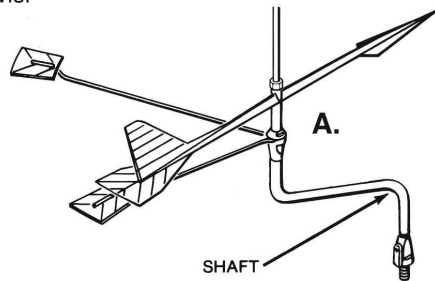
ADDITIONAL MOUNTING POSSIBILITIES:

A. OFFSET FROM MAST Carefully bend the supporting shaft in a bench vise to offset as indicated in sketch. Make sure that vertical portions of the shaft remain parallel.

B. ADJACENT TO MAST Use Davis' Universal Masthead Mount (#1705), available at most dealers. If the WindTrak 15 can be mounted adjacent to mast, locate the aluminum angle bracket and drill a new mounting hole as instructed on the back of the Universal Masthead package. Secure the bracket using the #10 sheet metal screws provided. Place the WindTrak 15 mounting support shaft socket into the hole in the bracket and secure with nut and lock washers as provided.

C. EXTENDED FROM MAST Use Davis' Universal Masthead Mount (#1705). If the WindTrak 15 cannot be mounted adjacent to the mast, use the extension arm provided. Simply attach the extension arm to the angle bracket as shown on the Universal Masthead Mount package and attach the WindTrak 15 supporting shaft to the other end of the arm. Locate in proper position and tighten hardware.

D. J-BASE Use Davis' WindTrak J-Base (#3155) in place of the standard WindTrak 15 mounting socket to allow top or side mounting. See instructions included with product.



Manufactured and distributed by
Davis Instruments

Davis Instruments
3465 Diablo Avenue, Hayward, CA 94545 U.S.A.
www.davisinstruments.com