

CRD-1050 Drawer Refrigerators

47-Liter Capacity and Removable Freezer Compartment



Dometic CRD-1050S drawer refrigerator with stainless-steel finish

Dometic CRD-1050 drawer refrigerators provide a convenient and highly efficient way to keep snacks and beverages cold on your boat.

Modeled after Dometic's CR series, winner of the DAME design award at the 2006 METS, CRD refrigerators have a durable metal frame construction able to withstand harsh marine conditions, yet feature an attractive, stylish appearance that will complement any galley, cockpit or flybridge. The door's face panel is interchangeable in the field to suit the decor or setting (black and brushed metal finish only), and the recessed door handle promotes sleek, modern styling. A flush-mount or space-saver flange is available in black, silver or stainless steel.

The CRD-1050 interior offers a generous 47-liter (1.65 cu. ft.) capacity. The freezer compartment with door has a 6-liter (0.22 cu. ft.) capacity and is removable to fit more or larger items needing refrigeration only. The continuously variable thermostat provides control over the amount of cooling.

In heavy seas, the locking mechanism keeps the door securely closed. Using the lock's venting feature allows easy defrosting and mildew prevention.

The CRD units are powered by a fully hermetic compressor with integrated control electronics. It is connection ready for 12/24V DC or 110/220V AC operation, and has low-voltage protection.

Key Benefits

- 12/24V DC or 110/220V AC operation
- 47-liter (1.65 cu. ft.) gross capacity
- 6-liter (0.22 cu. ft.) freezer capacity
- Freezer compartment is removable to allow more space for items needing refrigeration only
- Attractive, modern styling
- Durable metal frame construction
- Fully hermetic compressor
- Continuously variable thermostat
- Low-voltage protection
- Recessed door handle
- Door lock's venting mechanism holds door open slightly for easy defrosting and mildew prevention
- Bright cool-blue, energy-efficient interior light
- New stainless-steel model with one-piece wrapped door



Wire brackets set in the drawer frame keep beverage bottles upright and secure.



CRD-1050 freezer can be removed to fit tall or bulky refrigerated items.



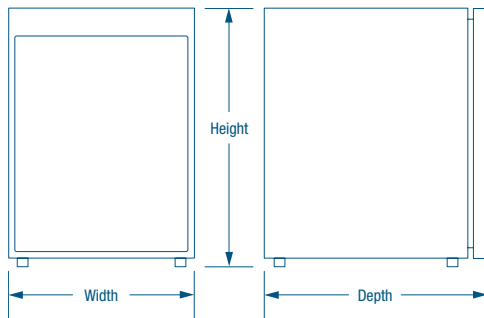
Full-width freezer compartment with door.

Specifications for CRD-1050 Drawer Refrigerators

Model ⁽¹⁾	CRD-0050
Gross Capacity (l/cf)	46.7/1.65
Refrigerator Capacity (l/cf)	32.5/1.15
Freezer Capacity (l/cf)	6/0.22
Amps @ 12V DC (A)	5.9
Amps @ 24V DC (A)	2.5
Amps @ 120V AC	Not Applicable
Amps @ 240V AC	Not Applicable
Refrigerator Temp Range-Low (°C/°F)	2/36
Refrigerator Temp Range-High (°C/°F)	12/54
Freezer Temp Range-Low (°C/°F)	-15/5
Freezer Temp Range-High (°C/°F)	-7/20
Insulation	PU foam all around
Thermostat type	Mechanical
Height (mm/in)	534/21.3
Width (mm/in)	380/14.97
Depth (mm/in)	500/19.69
Net Weight (kg/lbs)	20.5/44.1
Gross Weight (kg/lbs)	24.5/54.1

¹ After the base model number 'CRD-1050', add the suffix 'U' for black finish, 'E' for brushed metal finish, or 'S' for stainless steel (e.g. CRD-1050U).

Dimensions



About Flush-Mount & Space-Saver Flanges



Flush-mount or space-saver flange is available for the CRD refrigerators. The flush-mount flange provides a pleasing cosmetic appearance and eliminates protruding handles or locks. The space-saver flange is available as an option when cabinet depth is limited.

Flush-Mount Flange Part Numbers

- Black: EFM-0050U
- Silver: EFM-0050E
- Stainless-Steel: EFM-0050S

Space-Saver Flange Part Numbers

- Black: EST-0050U
- Silver: EST-0050E
- Stainless-Steel: EST-0050S

DOMETIC MARINE DIVISION

2000 N. Andrews Ave. Ext. | Pompano Beach, FL 33069 USA | Tel. 954-973-2477 | Fax: 954-979-4414
www.Dometic.com/Marine | MarineSales@DometicUSA.com

24/7 TECH SUPPORT FOR UNITED STATES & CANADA:

8:00 AM to 5:00 PM Eastern Time: 800-542-2477
After hours and weekends: 888-440-4494

INTERNATIONAL SALES & SERVICES

Europe & the Middle East: Call +44(0)870-330-6101
For all other areas visit our website to find your nearest distributor.

Dealer

