

Sealand®

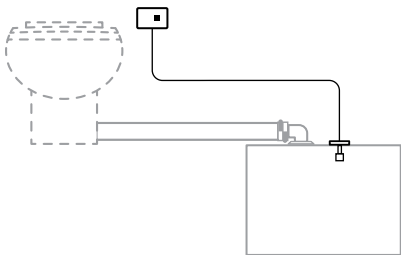
by Dometic GROUP

EN

Tank Monitor
Instruction manual



DTM01 Tank Monitor



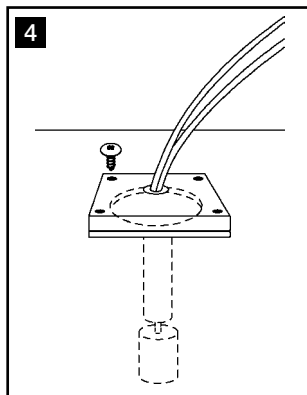
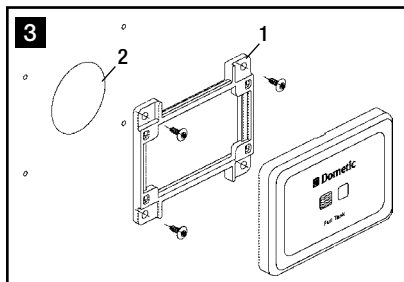
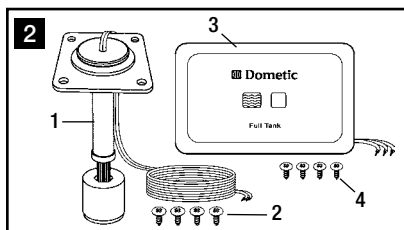
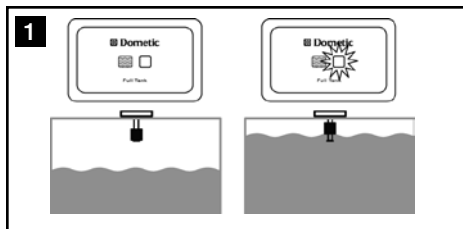


Table of contents

1	Notes on using the manual	3
2	General safety instructions	3
3	Intended use	4
4	Components and functions	4
5	Specifications	5
6	Installation	6 - 9
7	Warranty and product liability	11 - 12
8	Customer service	12

1 Notes on using the manual



Caution!

Safety Instruction: Failure to observe this instruction can cause material damage and impair the function of the device.



Note

Supplementary information for operating the device.

fig. 2 1, page 2 : This refers to an element in an illustration. In this example, item 1 in figure 2 on page 2.

2 General safety instructions

The manufacturer will not be held liable for claims for damage resulting from the following:

- Faulty assembly or connection
- Damage to the unit from mechanical influences, misuse or abuse
- Alterations to the unit without express written permission from the manufacturer
- Use for purposes other than those described in the operating manual

3 Intended use (fig. 1, page 2)

DTM01 Tank Monitor panel indicates when a wastewater holding tank is almost full. This monitor helps prevent damage to the boat that can happen because of accidental overfilling of the holding tank.

**Caution!**

Do not use in fuel tank.

4 Components and functions (fig. 2, page 2)

Item	Description
1	Probe assembly with float switch
2	#8 fasteners for probe assembly
3	Indicator panel
4	#6 fasteners for indicator panel

Probe Assembly with Float Switch

The probe assembly installs into a 1.25-inch (32 mm) dia. opening on the top of a Dometic® holding tank or other holding tank. As the level of holding tank contents rises, the float switch inside the tank is pushed upward and activates the “Full Tank” light on the indicator panel.

Indicator Panel

The indicator panel has a single light which is activated by the float switch inside the holding tank. When the “Full Tank” light is activated, the operation of any plumbing fixture connected to the holding tank should stop until the tank is emptied.

**Caution!**

Operator must know local regulations for emptying a holding tank.

5 Specifications

5.1 Materials

Panel frame: ABS

Float switch: Nitrile rubber ebonite

Panel: Polyester

5.2 Electrical Current Draw

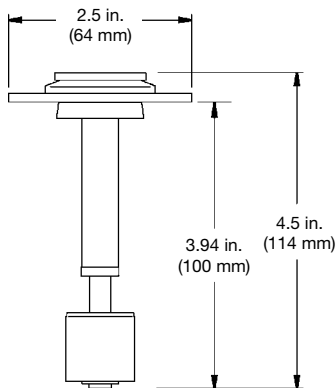
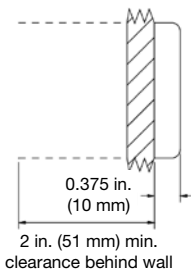
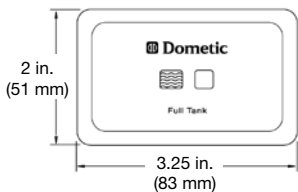
Average current consumption: 0.016 amps at 12 V DC.

Requires 0.5-amp fuse.

5.3 Approvals

ISO8846; EMC Directive 2004/108/EC

5.4 Dimensions



6 Installation

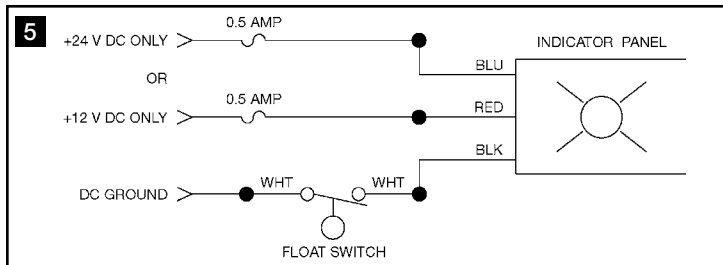
6.1 Indicator Panel (fig. 3, page 2)



Caution!

Do not install indicator panel in an atmosphere with potentially flammable or explosive vapors.

1. Select panel location away from direct contact with water and oil.
2. Confirm clearance for wire connections behind wall, hull liner or bulkhead.
3. Using indicator panel template (fig. 6, p. 9), cut out panel access hole and drill fastener holes.
4. With electrical power off, route 18-gauge stranded copper wire from power source, through 0.5 amp fuse (not provided), to panel location. Route 18-gauge stranded copper wire from holding tank probe assembly to panel location. Make sure wires extend out through access hole (fig. 3 2, p. 2).
5. Install mounting frame (fig. 3 1, p. 2) with four #6 fasteners (provided).
6. Make proper 12 or 24 V DC wiring connections to indicator panel. Refer to wiring diagram (fig. 5, below).
7. Push indicator panel onto mounting frame until it locks into place.



6.2 Probe Assembly (fig. 4, page 2)



Caution!

Do not use probe assembly in fuel tank. Never install the probe assembly with float switch in tank that contains anything other than wastewater, gray water or fresh water.

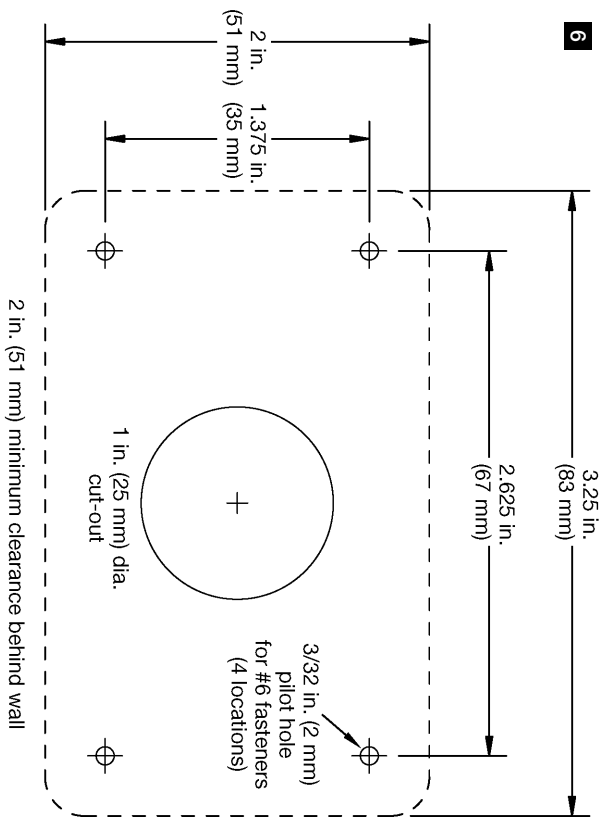


Note

For installation in sailboats: Locate probe assembly on athwartships centerline of tank to assure accuracy when heeled.

1. Route 18-gauge stranded copper wire from DC Ground source to probe assembly.
2. Using quick-disconnect terminals, make proper wiring connections from DC Ground source and indicator panel to probe assembly wires. Refer to wiring diagram (fig. 5, page 6).
3. Select probe assembly location away from other tank fittings. Drill 1.25-in. (32 mm) dia. hole in top of tank.
4. Place probe assembly into center of hole. Mark four fastener locations at corners. Remove probe assembly from hole.
5. Drill fastener holes with 1/8-in. (3 mm) drill bit.
6. With probe assembly removed from tank, turn on electrical power to system. Move black float up and down to assure proper operation of float and indicator light. Red indicator light should illuminate when float is pushed up. After successful test, turn off electrical power and disconnect wires at quick-connect terminals.
7. Place probe assembly into hole in top of holding tank. Use four #8 fasteners (provided) to secure probe assembly into holding tank (fig. 4, page 2). Re-connect wires and turn on electrical power.

THIS PAGE IS INTENTIONALLY BLANK.



THIS PAGE IS INTENTIONALLY BLANK.

7 Warranty and product liability

North America

Manufacturer's One-Year Limited Warranty

Dometic Corporation, Sanitation Systems (Dometic) warrants to the original purchaser only that this product, if used for personal, family or household purposes, is free from defects in material and workmanship for a period of one year from the date of purchase.

If this Dometic product is placed in commercial or business use, it will be warranted to the original purchaser only to be free of defects in material and workmanship for a period of ninety (90) days from the date of purchase.

Dometic reserves the right to replace or repair any part of this product that proves, upon inspection by Dometic, to be defective in material or workmanship. All labor and transportation costs or charges incidental to warranty service are to be borne by the purchaser-user.

EXCLUSIONS

IN NO EVENT SHALL DOMETIC BE LIABLE FOR INCIDENTAL OR CONSEQUENTIAL DAMAGES, FOR DAMAGES RESULTING FROM IMPROPER INSTALLATION, OR FOR DAMAGES CAUSED BY NEGLIGENCE, ABUSE, ALTERATION OR USE OF UNAUTHORIZED COMPONENTS. ALL IMPLIED WARRANTIES, INCLUDING ANY IMPLIED WARRANTY OF MERCHANTABILITY OR FITNESS FOR ANY PARTICULAR PURPOSE, ARE LIMITED TO A PERIOD OF ONE YEAR FROM DATE OF PURCHASE.

IMPLIED WARRANTIES

No person is authorized to change, add to, or create any warranty or obligation other than that set forth herein. Implied warranties, including those of merchantability and fitness for a particular purpose, are limited to one (1) year from the date of purchase for products used for personal, family or household purposes, and ninety (90) days from the date of purchase for products placed in commercial or business use.

OTHER RIGHTS

Some states do not allow limitations on the duration of an implied warranty and some states do not allow exclusions or limitations regarding incidental or consequential damages; so, the above limitations may not apply to you. This warranty gives you specific legal rights, and you may have other rights which vary from state to state.

To obtain warranty service, first contact your local dealer from whom you purchased this product or go to <http://www.dometic.com/enus/Americas/USA/Customer-Support/> for a dealer near you.

Europe: Warranty

Warranty arrangements are in accordance with EC Directive 44/1999/CE and the normal conditions applicable for the country concerned. For warranty or other service, please contact our Dometic Service department listed elsewhere in this manual. Any damage due to improper use is not covered by the warranty.

The warranty does not cover any modifications to the product or the use of non-original Dometic parts; the warranty does not apply if the installation and operating instructions are not adhered to and no liability shall be entertained.

Product Liability

Product liability of Dometic Group and its subsidiary companies does not include damages which may arise from: faulty operation; improper alterations or intervention in the equipment; adverse effects from the environment which may impact the equipment itself or the direct vicinity of the equipment or persons in the area.

To obtain warranty service, first contact your local dealer from whom you purchased this product or go to <http://www.dometic.com/enuk/Europe/United-Kingdom/Customer-Center/> for a dealer near you.

8 Customer service

There is a strong, worldwide network to assist in servicing and maintaining your toilet system. For the Authorized Service Center near you, please call from 8:00 a.m. to 5:00 p.m. (ET) Monday through Friday.

You may also contact or have your local dealer contact the Parts Distributor nearest you for quick response to your replacement parts needs. They carry a complete inventory for the SeaLand product line.

Telephone:	1 800-321-9886 330-439-5550	U.S.A. and Canada International
Fax:	330-496-3097 330-439-5567	U.S.A. and Canada International
Web sites:	http://www.Dometic.com	