

# SeaLand® Waste Discharge Pump

Reliable offshore waste tank discharge



T series discharge pump

## T Series Waste Discharge Pump

For premium tank discharge performance, SeaLand T series pumps provide unsurpassed quality and reliability. Unlike impeller-type macerator pumps, the bellow-style T pump can run dry without threat of damage. Drawing only 6 amps at 12V DC.

In waters where overboard discharge of a waste holding tank is permitted, the T pump integrates with Dometic Tank Discharge (DTD) control systems\* for completely automated holding tank discharge.

\* Purchased separately

## T Series Pump Requirements

ELECTRICAL	Power draw (avg.)	6 amps @ 12 V DC; 3 amps @ 24 V DC
	Circuit breaker/fuse*	10 amps @ 12 V DC; 5 amps @ 24 V DC
PLUMBING	ID	1.5 in./38 mm sanitation hose or PVC pipe

\* Requires separate circuit breaker or fuse from other electrical equipment. Specifications subject to change without notice.

## Discharge and Suction Lifts (ft./m)

Discharge	0 / 0	2 / 0.6	4 / 1.2	6 / 1.8	8 / 2.4	10 / 3
Suction	10 / 3	8 / 2.4	6 / 1.8	4 / 1.2	2 / 0.6	0 / 0

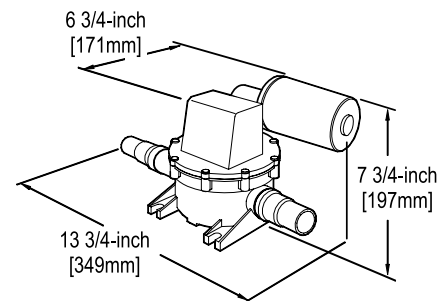
## Discharge Pump Model Specifications

MODEL	DESCRIPTION	WEIGHT*
317301200	12V DC T series discharge pump	7 lbs. / 3.2 kg
317302400	24V DC T series discharge pump	7 lbs. / 3.2 kg
314115012	12V DC SaniSump sump pump	10 lbs. / 4.5 kg
314115024	24V DC SaniSump sump pump	10 lbs. / 4.5 kg

\* Weight may vary ± 2-3 percent. Specifications subject to change without notice.

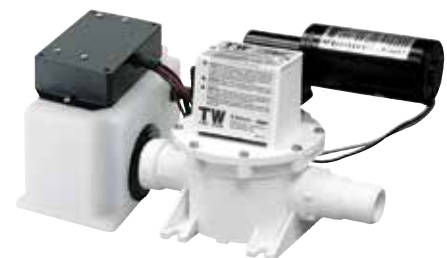
## Key Benefits

- Produces 300 gph (1136 lph) flow rate
- Runs dry without harm (prevents motor burn-up)
- Self-priming to 10 feet (3.3 m) of water
- Draws only 6 amps at 12V DC



## SaniSump™ Sump Pump

Great for fish box or other small, closed graywater systems. Includes 0.6-gallon (2.3-liter) collection tank.



- Passes solids up to 0.5 in. (13 mm) in diameter
- Delivers 5 gpm (18.9 lpm) flow rate
- No messy screen to clean

# SeaLand® Holding Tank Accessories

## Upgrade tank quality and performance

### Diptube Kit

Removes waste through top of tank – eliminates stagnant waste from sitting in discharge line connected at bottom of tank.

- Prevents clogging; reduces tank residual
- Fits tanks up to 30 in. (762 mm) high
- Easy to install



ITEM	DESCRIPTION
385310660	Holding tank diptube kit

### NozAll™ Pump-out Adapter

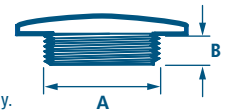
Provides airtight seal between rubber nozzle or cam-operated type pump-out station nozzle and most boats' waste deck pump-out fittings.

- Cleaner pump-outs – eliminates need for messy water source to assure sufficient vacuum
- Three sizes accommodate most pump-out fitting threads



Determining which NozAll adapter will fit a deck pump-out fitting requires two simple measurements from the cap of the deck fitting.

1. Measure the outside diameter (O.D.) of the cap threads (A).
2. Count the number of threads per 1/4-in. of thread length (B). Multiply that number by 4 to determine threads per inch (TPI).
3. Use chart below to determine to which NozAll item number the measurements apply.



ITEM	DESCRIPTION - MPT SIZE and TPI	DECK FITTING CAP O.D.	THREAD COUNT PER 1/4-IN.
310343502	1-1/2 in. MPT (38 mm), 11.5 TPI (4.5 tpcm)	1-7/8 in. (48 mm) OD	2-3/4
310343503	1-1/4 in. MPT (32 mm), 11.5 TPI (4.5 tpcm)	1-5/8 in. (41 mm) OD	2-3/4
310343504	1-1/4 in. MPT (32 mm), 16 TPI (6.3 tpcm)	1-5/8 in. (41 mm) OD	4

### Universal Level Indicator Kit

Permits easy upgrade from single to multiple level holding tank monitor system.

- Replaces individual TankWatch® probes
- Two probes lengths adjust to any tank size or desired indication level
- Integrates with any Dometic Tank Monitor system



ITEM	DESCRIPTION
385311253	Universal level indicator kit with 12-in. (305 mm) probe
385311254	Universal level indicator kit with 24-in. (610 mm) probe

### TankSaver® Relief Valve

Protects holding tanks from excessive suction of dockside pumps during holding tank pump-out.

- Installs easily – no sealant or spinweld required
- Excellent odor seal

ITEM	DESCRIPTION
313255247	TankSaver relief valve



### Universal Clean-out Kit

Provides convenient access to tank interior for inspection and cleaning.

- Installs easily on any rigid tank material
- Includes 3-in. (76 mm) inspection port and cap, O-ring, gasket and stainless steel hardware



ITEM	DESCRIPTION
307238685	Universal holding tank clean-out kit

### Universal Flange Kit

Allows Dometic Tank Monitor probe cap installation into existing holding tank.

- Creates 3-in. (76 mm) inspection port
- Includes threaded fitting, gasket and hardware



ITEM	DESCRIPTION
307230272	Universal flange kit