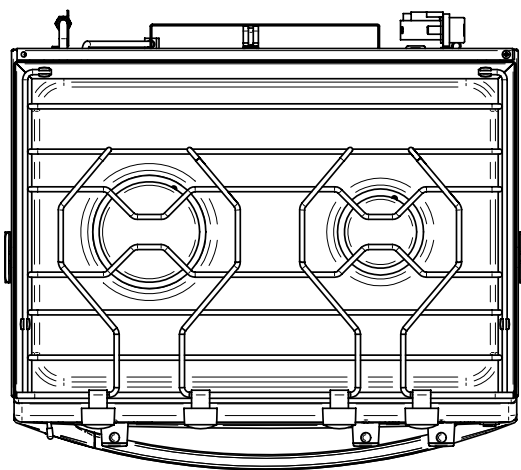


* = mini.



RECHAUD FOUR 2 ET 3 FEUX

MODELE GRAND LARGE / GASCOGNE / OCEAN