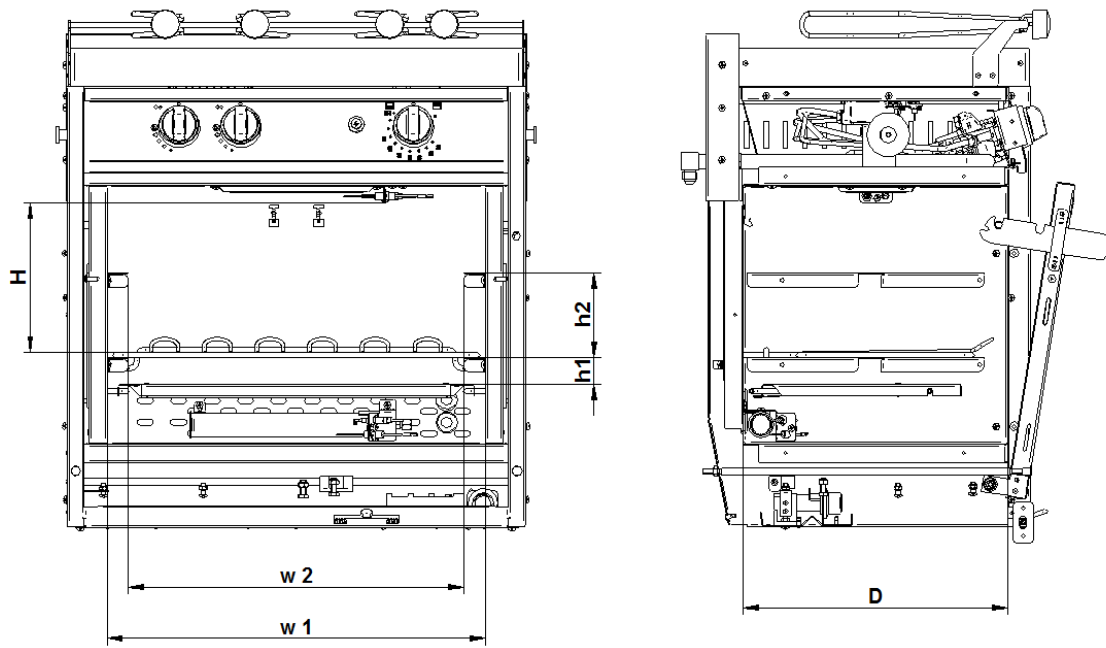


EFFECTIVE INTERNAL DIMENSIONS (FORCE 10)



Model	Description	w 1	w 2	h 1	h2	H	D
F63251	2 - Burner NA Standard	17'' 431,5mm	15'' 382,5mm	1,25'' 31,5mm	3,8'' 96mm	6,7'' 170mm	11,9'' 302mm
F63253	2 - Burner NA Compact	17'' 431,5mm	15'' 382,5mm	1,25'' 31,5mm	2,65'' 67,5mm	4,45'' 113mm	11,9'' 302mm
F63254	2 - Burner European Sub Compact	13,4'' 341mm	11,5'' 292mm	1,25'' 31,5mm	2,65'' 67,5mm	4,45'' 113mm	11,9'' 302mm
F63256	2 - Burner European Standard	15,4'' 390,5mm	13,45'' 341,5mm	1,25'' 31,5mm	3,8'' 96mm	6,7'' 170mm	11,9'' 302mm
F63258	2 - Burner European Compact	15,4'' 390,5mm	13,45'' 341,5mm	1,25'' 31,5mm	2,65'' 67,5mm	4,45'' 113mm	11,9'' 302mm
F63269	2 - Burner XM	14,45'' 367mm	12,5'' 317,5mm	1,2'' 30,5mm	3,15'' 80mm	5,45'' 138mm	13,5'' 343mm

F63351	3 - Burner NA Standard	17'' 431,5mm	15'' 382,5mm	1,25'' 31,5mm	3,8'' 96mm	6,4'' 163mm	13,6'' 345,5mm
F63353	3 - Burner NA Compact	17'' 431,5mm	15'' 382,5mm	1,25'' 31,5mm	2,65'' 67,5mm	4,45'' 113mm	13,6'' 345,5mm
F63354	3 - Burner European Sub Compact	15,4'' 390,5mm	13,45'' 341,5mm	1,25'' 31,5mm	0'' 0mm	2,9'' 74mm	11,9'' 302mm
F63356	3 - Burner European Standard	15,4'' 390,5mm	13,45'' 341,5mm	1,25'' 31,5mm	3,8'' 96mm	6,4'' 163mm	13,6'' 345,5mm
F63358	3 - Burner European Compact	15,4'' 390,5mm	13,45'' 341,5mm	1,25'' 31,5mm	2,65'' 67,5mm	4,45'' 113mm	13,6'' 345,5mm

F63451	4 - Burner NA Standard	17'' 431,5mm	15'' 382,5mm	1,25'' 31,5mm	3,8'' 96mm	6,4'' 163mm	13,6'' 345,5mm
--------	------------------------	-----------------	-----------------	------------------	---------------	----------------	-------------------

F62551	5 - Burner NA Professional	20,45'' 519,5mm	18,5'' 470mm	1,25'' 31,5mm	3,5'' 90mm	6,95'' 176mm	14,7'' 373mm
--------	----------------------------	--------------------	-----------------	------------------	---------------	-----------------	-----------------

F73051	Built-in Wall Oven	17'' 431,5mm	15'' 382,5mm	1,25'' 31,5mm	3,8'' 96mm	6,2'' 158mm	13,6'' 345,5mm
--------	--------------------	-----------------	-----------------	------------------	---------------	----------------	-------------------