

MARELON[®]

#1 Trusted Marine Plumbing System

Used By Over
350 Boat Builders



Glass Reinforced Composite Polymer Marine Plumbing Components

- For Use Above or Below Waterline
- Will Never Corrode
- Exclusive Polymer Composite Formulation

FORESPAR[®]
PERFORMANCE PRODUCTS
www.forespar.com

The Marelon® Advantage

Over 35 Years Of Polymer Marine Plumbing Development

Marelon® is the modern material for marine plumbing systems. Its non-corrosive proprietary formulation of polymer composite compounds uses resins and additives to produce an extremely strong marine-grade product that will not deteriorate like traditional bronze marine plumbing parts.

Our fully integrated Marelon "93 Series" Seacocks & Thru-hulls are designed to provide easy installation with a wide variety of valve port configurations. This allows an OEM to spec systems to fit their specific needs. They also exceed ABYC compliance standards and meet all UL and ISO standards.

Marine Grade Glass Reinforced Composite Polymer Plumbing

- For Use Above or Below Waterline
- Extremely OEM Configurable
- Exclusive Polymer Formulation That Will Never Corrode
- Some Components Compatible With Brass/Bronze Fittings



A Full Range Of Marine Components

Seacocks | Valves | Thru-Hulls | Strainers
 Vents | Connectors | Sink Wastes
 Deck Fills | Drains & Drain Plugs

Fully Integrated "93" Series Valves are U.L. & ISO Certified & A.B.Y.C. Compliant



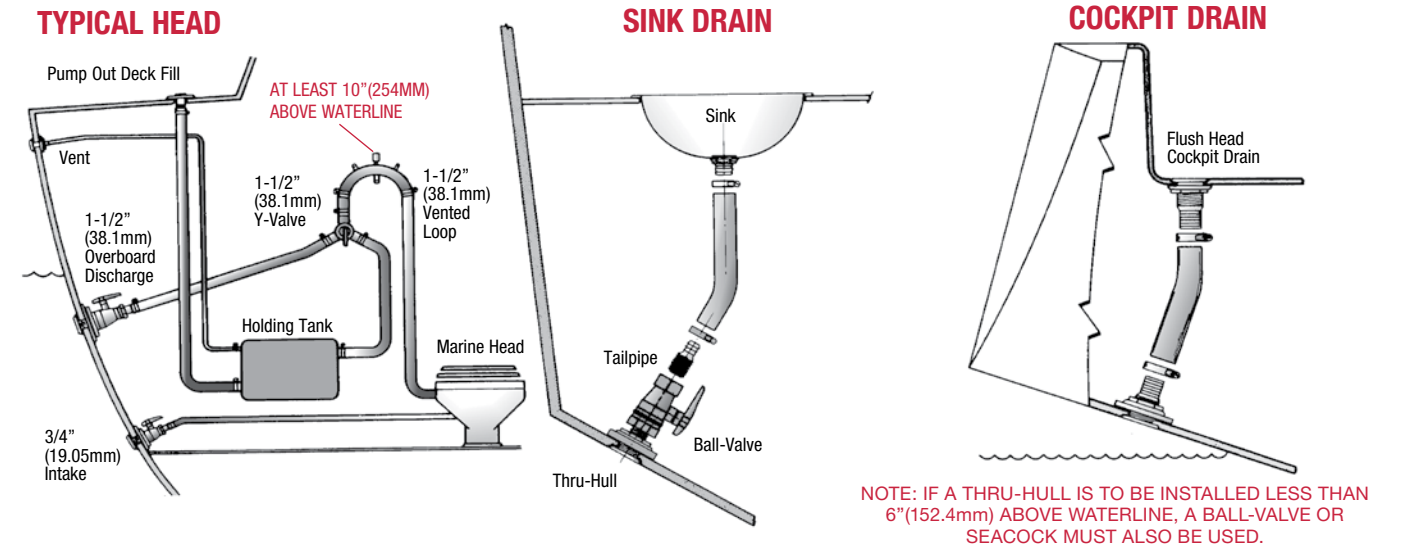
Learn More
forespar.com/marelon

Temperature Range:
 -40° F/-40° C to 176° F/80° C



Compatible With Bronze

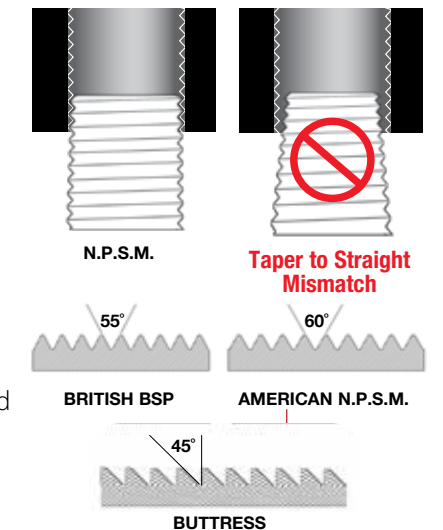
Typical Installations



A Word On Thread Forms

Industrial vs Marine

Industrial or household fittings typically use the NPT (National Pipe Tapered) tapered thread. The marine valves, thru-hulls, tailpipes and seacocks used in boats employ the NPSM (National Pipe Straight Mechanical) parallel thread form. Tapered industrial fittings are not intended to be joined with parallel marine fittings.



Marelon® Valves and Fittings

Almost all Marelon® valves, thru-hulls and fittings use NPSM parallel thread forms that require thread compound or Teflon® tape to seal. There are two exceptions to using parallel threads in Marelon®. Our Marelon® "93 Series" plumbing system comes standard with buttress threaded thru-hulls that mate to buttress threaded valves. And our Marelon® "HC Series" line of reducing tailpipes all employ true NPT tapered threads.

British vs United States Parallel Thread Standards

The American NPSM parallel thread standard has a thread flank angle of 60°. The British Standard Pipe, or BSP standard for parallel threads has a thread flank angle of 55°. Identification can also be made by inspecting the root and crest of the threads. The truncation of the root and crest of American standard threads are flat. The truncation of the root and crest of British standard threads are round.

THE FORESPAR MARELON BALL VALVES AND THRU-HULL FITTINGS MEET AND EXCEED THE ABYC H-27 AND ISO 9093-2 STANDARDS AS PRESENTLY WRITTEN IN ALL RESPECTS.

As to Physical Property Requirements:

	ABYC Standard	ISO Standard	Marelon Properties
Tensile Strength:	75mPa 10,900 psi	60mPa 9,715psi	121mPa 17,500psi
Flexural Mod.:	3480mPa 505,000psi	2700mPa 391,500psi	4826mPa 700,000psi
Impact Strength:	None	9Kj/m	117j/m

As to Strength Test: 2224N 500lbs.

1500N 337lbs.

2224N 500lbs

A.B.Y.C H-27, Seacocks, Thru-Hull Connections and Drain Plugs and ISO/DIS 9093-2 STANDARD, Small Craft - Seacocks & Thru-Hull Fittings - Non-Metallic

LIMITED WARRANTY

Forespar® accepts no responsibility for valve or thru-hull components which are improperly installed, tampered with or have inadequate access for service and maintenance.

Marelon® 93 Series Integrated Plumbing Systems



The Modern Boat Builders System of Choice for Glass Reinforced Composite Polymer Marine Plumbing Components

Marelon® 93 Series valves come in a wide array of configurations to offer that perfect installation solution. The perfect material for marine plumbing systems, its non-corrosive proprietary formulation of polymer composite compounds uses a resins and additives to produce a superior marine-grade product that will not deteriorate like traditional bronze marine plumbing parts.

- For Use Above And Below Waterline
- Compatible With Traditional Bronze Fittings
- Precision Molded Plumbing Systems
- Complete Freedom From Corrosion
- ISO Certified 9093-2 by IMCI
- U.L. Approved
- A.B.Y.C. Compliant

Used By Over 350 Boat Builders



93 Series Valves Can Be Custom Ordered With NPT or BSP Threads

Learn More forespar.com/marelon

Benefits to Builders

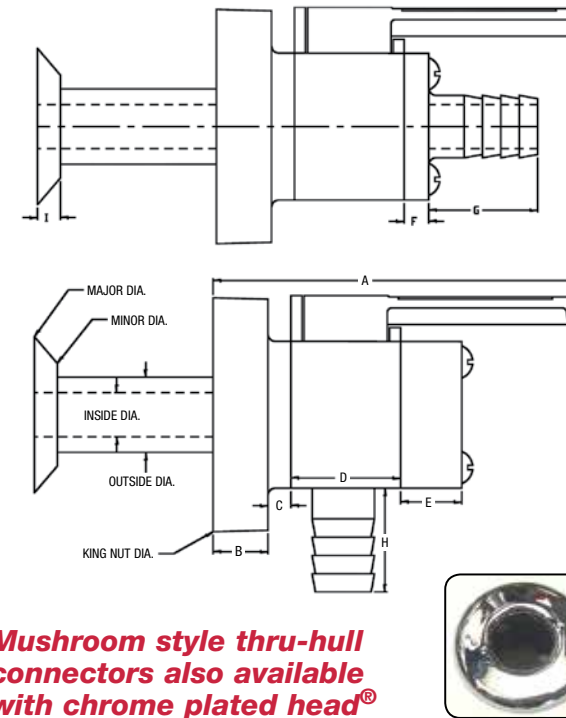
- Lightweight, yet extremely strong injection-molded parts
- Complete freedom from any corrosion
- Complete freedom from electrolysis or reaction to any metals
- Outstanding operating temperature range (-22° to +176° F.)
- Uses in deck hardware (cleats, chocks) and marine plumbing
- Outstanding U.V. resistance and color fix
- Marelon® valves offer an unprecedented variety of designs
- Long term reliability

Benefits to the Boat Owner

- No bonding (electrical) required
- Configurations to fit tight machinery spaces
- Minimal maintenance requirements
- Ease of installation with standard tools
- Accepts adhesives and coatings (bottom paints) easily
- Can be used on aluminum, steel, wood or FRP hull forms
- Excellent chemical resistance to harsh bilge cleaners
- Can be used with or on any metal fittings
- Long term reliability

Marelon® 93 Series Hose Barb Valves

Standard Marelon® 93 Series Hose Barb Valves allow for quick and secure hose installation through a wide array of sizes. Valves can also be configured with a combination of horizontal or vertical ports to adapt for tight hull spaces.



Mushroom style thru-hull connectors also available with chrome plated head®

DIMENSION	1/2" & 3/4" (12.7mm)&(19.05mm)	1"25 & 1-1/4" (25.4mm)&(31.75mm)	1-1/2" & 2" (38.1mm)&(50.8mm)
MAJOR DIA.	1.73(43.94mm)	2.20(55.88mm)	2.79(70.86mm)
MINOR DIA.	1.28(32.51mm)	1.70(43.18mm)	2.18(55.37mm)
OUTSIDE DIA.	1.1(27.94mm)	1.6(40.64mm)	2.1(53.34mm)
INSIDE DIA.	.62(15.74mm)	1.05(26.67mm)	1.64(41.65mm)
KING NUT DIA.	3.13(79.50mm)	3.75(95.25mm)	4.21(106.93mm)
A	4.48(113.79mm)	6.19(157.22mm)	7.63(193.80mm)
B	.91(23.11mm)	.98(24.89mm)	1.10(27.94mm)
C	.48(12.19mm)	.31(7.84mm)	.23(5.84mm)
D	1.20(30.48mm)	1.87(47.49mm)	1.57(39.87mm)
E	.52(13.20mm)	.75(19.05mm)	1.35(34.29mm)
F	.53(13.46mm)	.75(19.05mm)	.78(34.29mm)
G	1.31(33.27mm)	1"=1.25 (25.4mm)=(31.75mm) 1-1/4"=1.50 (31.75mm)=(38.1mm)	1.50(38.1mm)
H	1.44(36.57mm)	1.50(38.1mm)	1.75(44.45mm)
I	.24(6.09mm)	.23(5.84mm)	.24(6.09mm)

ALL DIMENSIONS IN INCHES

Marelon® 93 Series Threaded Valves

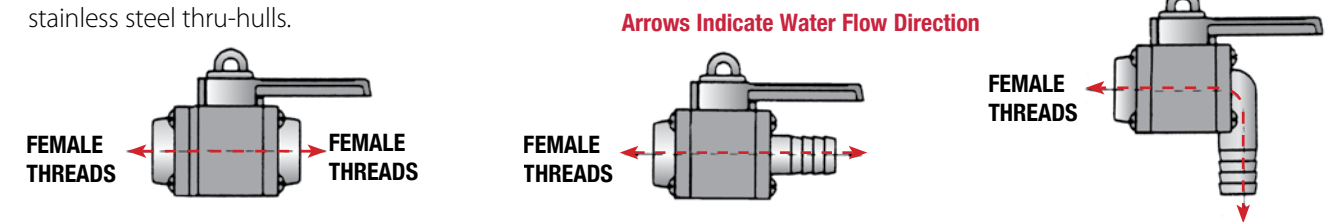
These valves are designed to meet the needs of builders and owners who require the benefits of the Marelon® integrated plumbing system, with female threads. These valve works great with A.N.P. Thru-Hulls. Forespar® offers this threaded valve in three of our most widely used configurations with N.P.S.M. or B.S.P threads.

All Marelon® Integrated Plumbing System valves come with a matched thru-hull, both of which use a buttress thread form that is very strong for synthetics. When these complete systems are ordered with either flush or mushroom non-screened thru-hulls the valves come with a cap in the handle that has a loop. This cap is an emergency thru-hull plug in case the valve must be disassembled to clear debris or be replaced completely WITHOUT HAVING TO HAUL THE BOAT.

If you want to use a Marelon® valve with an existing bronze or stainless steel thru-hull, we can (with prior notice) supply the valves with either the NPSM (National Pipe Straight Mechanical) or BSP (British Standard Pipe) threads that typically are used with bronze or stainless steel thru-hulls.

HOSE BARB INNER (I.D.) ("93" SERIES ONLY)

- 1/2"(12.7mm) - .462"(11.73mm)
- 3/4"(19.05mm) - .52"(13.20mm)
- 1"(25.4mm) - .790"(20.06mm)
- 1-1/4"(31.75mm) - 1.05"(26.67mm)
- 1-1/2"(38.1mm) - 1.25"(31.75mm)
- 2"(50.8mm) - 1.54"(39.11mm)



Valve P/N	Size
933332	1/2"(12.7mm)
933333	3/4"(19.05mm)
933334	1"(25.4mm)
933335	1-1/4"(31.75mm)
933336	1-1/2"(38.1mm)
933338	2"(50.8mm)

Valve P/N	Size
933342	1/2"(12.7mm)
933343	3/4"(19.05mm)
933344	1"(25.4mm)
933345	1-1/4"(31.75mm)
933346	1-1/2"(38.1mm)
933348	2"(50.8mm)

Valve P/N	Size
933352	1/2"(12.7mm)
933353	3/4"(19.05mm)
933354	1"(25.4mm)
933355	1-1/4"(31.75mm)
933356	1-1/2"(38.1mm)
933358	2"(50.8mm)

Marelon® "93" Series Valves Options

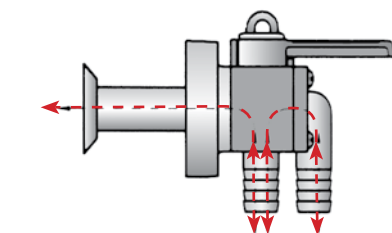
Optimized Valve Intake/Output Port Configurations Options For Unmatched Builder Versatility

The modern solution for new or refit seacock valves, Marelon "93" series valves are sold with matching thru-hull fittings for a perfectly integrated valve solution. These valves also offer a wide array of threaded or barbed port configuration options to allow for specific fit into tight spaces. They also meet all design criteria and exceed all mechanical property requirements specified by ISO 150/188 "non-metallic small craft seacocks and thru-hull fittings-part 2"

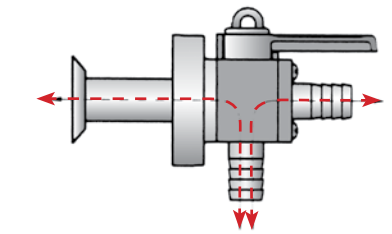
- Threaded Port & Hose Barb Combinations
- Custom Flow Port Configurations Allow You To Fit Valves Into Tight Spaces
- Standard with Buttress Thread Thru-hulls
- NPSM or BSP Threaded Bases are available 3/4" to 2" for use with existing thru-hulls
- U.L. Approved & ISO 9093-2 Certified
- A.B.Y.C. Compliant



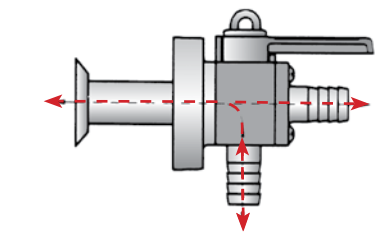
Arrows Indicate Water Flow Direction



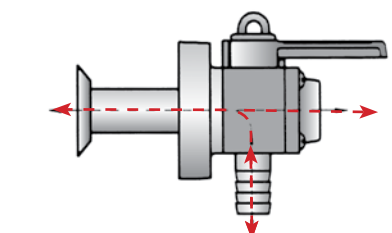
Mushroom Thru-Hull Size	Flush Thru-Hull Size	Mushroom Screened Thru-Hull Size	Flush Screened Thru-Hull Size
931252 1/2"(12.7mm)	932252 1/2"(12.7mm)	937452 1/2"(12.7mm)	936452 1/2"(12.7mm)
931253 3/4"(19.05mm)	932253 3/4"(19.05mm)	937453 3/4"(19.05mm)	936453 3/4"(19.05mm)
931254 1"(25.4mm)	932254 1"(25.4mm)	937454 1"(25.4mm)	936454 1"(25.4mm)
931255 1-1/4"(31.75mm)	932255 1-1/4"(31.75mm)	937455 1-1/4"(31.75mm)	936455 1-1/4"(31.75mm)
931256 1-1/2"(38.1mm)	932256 1-1/2"(38.1mm)	937456 1-1/2"(38.1mm)	936456 1-1/2"(38.1mm)
931258 2"(50.8mm)	932258 2"(50.8mm)	937458 2"(50.8mm)	936458 2"(50.8mm)



Mushroom Thru-Hull Size	Flush Thru-Hull Size	Mushroom Screened Thru-Hull Size	Flush Screened Thru-Hull Size
931242 1/2"(12.7mm)	932242 1/2"(12.7mm)	937442 1/2"(12.7mm)	936442 1/2"(12.7mm)
931243 3/4"(19.05mm)	932243 3/4"(19.05mm)	937443 3/4"(19.05mm)	936443 3/4"(19.05mm)
931244 1"(25.4mm)	932244 1"(25.4mm)	937444 1"(25.4mm)	936444 1"(25.4mm)
931245 1-1/4"(31.75mm)	932245 1-1/4"(31.75mm)	937445 1-1/4"(31.75mm)	936445 1-1/4"(31.75mm)
931246 1-1/2"(38.1mm)	932246 1-1/2"(38.1mm)	937446 1-1/2"(38.1mm)	936446 1-1/2"(38.1mm)
931248 2"(50.8mm)	932248 2"(50.8mm)	937448 2"(50.8mm)	936448 2"(50.8mm)

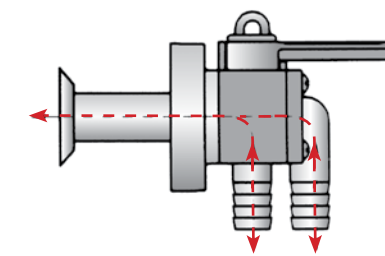


Mushroom Thru-Hull Size	Flush Thru-Hull Size	Mushroom Screened Thru-Hull Size	Flush Screened Thru-Hull Size
931542 1/2"(12.7mm)	932542 1/2"(12.7mm)	937642 1/2"(12.7mm)	936642 1/2"(12.7mm)
931543 3/4"(19.05mm)	932543 3/4"(19.05mm)	937643 3/4"(19.05mm)	936643 3/4"(19.05mm)
931544 1"(25.4mm)	932544 1"(25.4mm)	937644 1"(25.4mm)	936644 1"(25.4mm)
931545 1-1/4"(31.75mm)	932545 1-1/4"(31.75mm)	937645 1-1/4"(31.75mm)	936645 1-1/4"(31.75mm)
931546 1-1/2"(38.1mm)	932546 1-1/2"(38.1mm)	937646 1-1/2"(38.1mm)	936646 1-1/2"(38.1mm)
931548 2"(50.8mm)	932548 2"(50.8mm)	937648 2"(50.8mm)	936648 2"(50.8mm)

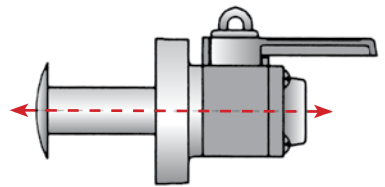


Mushroom Thru-Hull Size	Flush Thru-Hull Size	Mushroom Screened Thru-Hull Size	Flush Screened Thru-Hull Size
931532 1/2"(12.7mm)	932532 1/2"(12.7mm)	937632 1/2"(12.7mm)	936632 1/2"(12.7mm)
931533 3/4"(19.05mm)	932533 3/4"(19.05mm)	937633 3/4"(19.05mm)	936633 3/4"(19.05mm)
931534 1"(25.4mm)	932534 1"(25.4mm)	937634 1"(25.4mm)	936634 1"(25.4mm)
931535 1-1/4"(31.75mm)	932535 1-1/4"(31.75mm)	937635 1-1/4"(31.75mm)	936635 1-1/4"(31.75mm)
931536 1-1/2"(38.1mm)	932536 1-1/2"(38.1mm)	937636 1-1/2"(38.1mm)	936636 1-1/2"(38.1mm)
931538 2"(50.8mm)	932538 2"(50.8mm)	937638 2"(50.8mm)	936638 2"(50.8mm)

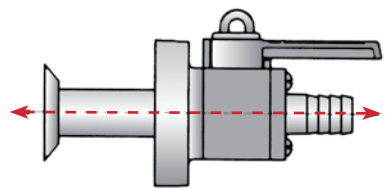
Arrows Indicate Water Flow Direction



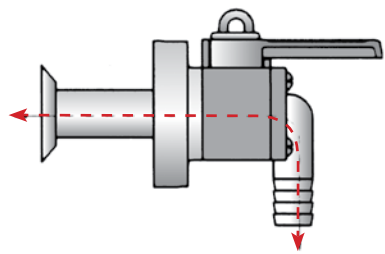
Mushroom Thru-Hull Size	Flush Thru-Hull Size	Mushroom Screened Thru-Hull Size	Flush Screened Thru-Hull Size
931552 1/2"(12.7mm)	932552 1/2"(12.7mm)	937652 1/2"(12.7mm)	936652 1/2"(12.7mm)
931553 3/4"(19.05mm)	932553 3/4"(19.05mm)	937653 3/4"(19.05mm)	936653 3/4"(19.05mm)
931554 1"(25.4mm)	932554 1"(25.4mm)	937654 1"(25.4mm)	936654 1"(25.4mm)
931555 1-1/4"(31.75mm)	932555 1-1/4"(31.75mm)	937655 1-1/4"(31.75mm)	936655 1-1/4"(31.75mm)
931556 1-1/2"(38.1mm)	932556 1-1/2"(38.1mm)	937656 1-1/2"(38.1mm)	936656 1-1/2"(38.1mm)
931558 2"(50.8mm)	932558 2"(50.8mm)	937658 2"(50.8mm)	936658 2"(50.8mm)



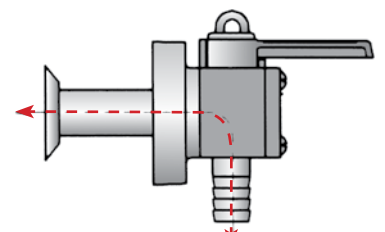
Mushroom Thru-Hull Size	Flush Thru-Hull Size	Mushroom Screened Thru-Hull Size	Flush Screened Thru-Hull Size
931132 1/2"(12.7mm)	932132 1/2"(12.7mm)	937332 1/2"(12.7mm)	936332 1/2"(12.7mm)
931133 3/4"(19.05mm)	932133 3/4"(19.05mm)	937333 3/4"(19.05mm)	936333 3/4"(19.05mm)
931134 1"(25.4mm)	932134 1"(25.4mm)	937334 1"(25.4mm)	936334 1"(25.4mm)
931135 1-1/4"(31.75mm)	932135 1-1/4"(31.75mm)	937335 1-1/4"(31.75mm)	936335 1-1/4"(31.75mm)
931136 1-1/2"(38.1mm)	932136 1-1/2"(38.1mm)	937336 1-1/2"(38.1mm)	936336 1-1/2"(38.1mm)
931138 2"(50.8mm)	932138 2"(50.8mm)	937338 2"(50.8mm)	936338 2"(50.8mm)



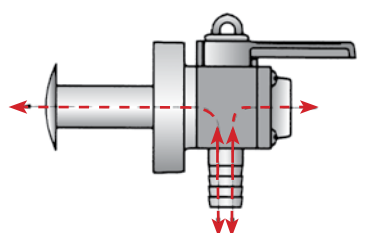
Mushroom Thru-Hull Size	Flush Thru-Hull Size	Mushroom Screened Thru-Hull Size	Flush Screened Thru-Hull Size
931142 1/2"(12.7mm)	932142 1/2"(12.7mm)	937342 1/2"(12.7mm)	936342 1/2"(12.7mm)
931143 3/4"(19.05mm)	932143 3/4"(19.05mm)	937343 3/4"(19.05mm)	936343 3/4"(19.05mm)
931144 1"(25.4mm)	932144 1"(25.4mm)	937344 1"(25.4mm)	936344 1"(25.4mm)
931145 1-1/4"(31.75mm)	932145 1-1/4"(31.75mm)	937345 1-1/4"(31.75mm)	936345 1-1/4"(31.75mm)
931146 1-1/2"(38.1mm)	932146 1-1/2"(38.1mm)	937346 1-1/2"(38.1mm)	936346 1-1/2"(38.1mm)
931148 2"(50.8mm)	932148 2"(50.8mm)	937348 2"(50.8mm)	936348 2"(50.8mm)



Mushroom Thru-Hull Size	Flush Thru-Hull Size	Mushroom Screened Thru-Hull Size	Flush Screened Thru-Hull Size
931152 1/2"(12.7mm)	932152 1/2"(12.7mm)	937352 1/2"(12.7mm)	936352 1/2"(12.7mm)
931153 3/4"(19.05mm)	932153 3/4"(19.05mm)	937353 3/4"(19.05mm)	936353 3/4"(19.05mm)
931154 1"(25.4mm)	932154 1"(25.4mm)	937354 1"(25.4mm)	936354 1"(25.4mm)
931155 1-1/4"(31.75mm)	932155 1-1/4"(31.75mm)	937355 1-1/4"(31.75mm)	936355 1-1/4"(31.75mm)
931156 1-1/2"(38.1mm)	932156 1-1/2"(38.1mm)	937356 1-1/2"(38.1mm)	936356 1-1/2"(38.1mm)
931158 2"(50.8mm)	932158 2"(50.8mm)	937358 2"(50.8mm)	936358 2"(50.8mm)



Mushroom Thru-Hull Size	Flush Thru-Hull Size	Mushroom Screened Thru-Hull Size	Flush Screened Thru-Hull Size
931262 1/2"(12.7mm)	932262 1/2"(12.7mm)	937462 1/2"(12.7mm)	936462 1/2"(12.7mm)
931263 3/4"(19.05mm)	932263 3/4"(19.05mm)	937463 3/4"(19.05mm)	936463 3/4"(19.05mm)
931264 1"(25.4mm)	932264 1"(25.4mm)	937464 1"(25.4mm)	936464 1"(25.4mm)
931265 1-1/4"(31.75mm)	932265 1-1/4"(31.75mm)	937465 1-1/4"(31.75mm)	936465 1-1/4"(31.75mm)
931266 1-1/2"(38.1mm)	932266 1-1/2"(38.1mm)	937466 1-1/2"(38.1mm)	936466 1-1/2"(38.1mm)
931268 2"(50.8mm)	932268 2"(50.8mm)	937468 2"(50.8mm)	936468 2"(50.8mm)



Mushroom Thru-Hull Size	Flush Thru-Hull Size	Mushroom Screened Thru-Hull Size	Flush Screened Thru-Hull Size
931232 1/2"(12.7mm)	932232 1/2"(12.7mm)	937432 1/2"(12.7mm)	936432 1/2"(12.7mm)
931233 3/4"(19.05mm)	932233 3/4"(19.05mm)	937433 3/4"(19.05mm)	936433 3/4"(19.05mm)
931234 1"(25.4mm)	932234 1"(25.4mm)	937434 1"(25.4mm)	936434 1"(25.4mm)
931235 1-1/4"(31.75mm)	932235 1-1/4"(31.75mm)	937435 1-1/4"(31.75mm)	936435 1-1/4"(31.75mm)
931236 1-1/2"(38.1mm)	932236 1-1/2"(38.1mm)	937436 1-1/2"(38.1mm)	936436 1-1/2"(38.1mm)
931238 2"(50.8mm)	932238 2"(50.8mm)	937438 2"(50.8mm)	936438 2"(50.8mm)

Marelon® Valve Components

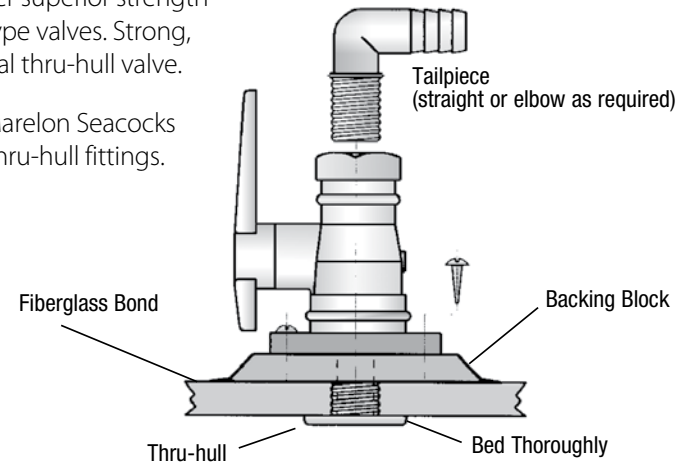
Flange Mounting Seacocks

Forespar's Flange Mounted Seacocks made with Marelon® offer superior strength and corrosion resistance compared to conventional bronze type valves. Strong, lightweight, corrosion and electrolysis free, they make the ideal thru-hull valve.

Available in most common sizes and thread configurations, Marelon Seacocks can be used as replacement valves for most existing marine thru-hull fittings.



MF 849



Part No.	Model No.	Thread Size	Height	Height w/Handle	Base
904009	MF 849 1/2	1/2" (12.7mm)	3" (76.2mm)	4" (101.6mm)	3" (76.2mm)
904010	MF 849 3/4	3/4" (19.05mm)	3" (76.2mm)	4" (101.6mm)	3" (76.2mm)
904011	MF 849 1-1/2	1-1/2" (38.1mm)	5" (127mm)	8" (203.2mm)	6" (152.4mm)

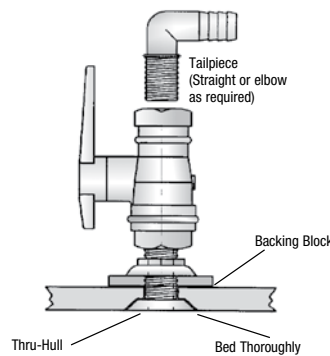
MF 850 Ball Valves

Forespar's MF 850 series of Ball Valves are precision molded in high strength Marelon®. Their great strength, light weight, and complete freedom from corrosion and electrolysis make them the ideal valve for controlling inlet and outlet water requirements above and below the waterline.

Our engineers opened and closed one of our 3/4" (19.05mm) valves 11,000 times, then submerged it in water with an air line pressurized to 40 p.s.i. connected to it. The result was an absolutely leak free condition with no evidence of internal seal wear. Valves sold throughout the U.S.A. have parallel marine type threads. If specified, B.S.P. are available outside of America.



MF 850



Part No.	Model No.	Thread Size	Body Dia.	Body Length	Length w/Handle
905100	MF 850 1/2"	1/2" (12.7mm)	1-7/8" (47.62mm)	3" (76.2mm)	4" (101.6mm)
905101	MF 850 3/4"	3/4" (19.05mm)	1-7/8" (47.62mm)	3" (76.2mm)	4" (101.6mm)
905102	MF 850 1"	1" (25.4mm)	2-3/4" (69.85mm)	4-3/4" (120.65mm)	5-1/2" (139.7mm)
905103	MF 850 1"-1/4"	1-1/4" (31.75mm)	2-3/4" (69.85mm)	4-7/8" (123.82mm)	5-3/4" (146.05mm)
905104	MF 850 1"-1/2"	1-1/2" (38.1mm)	3-1/2" (88.9mm)	5" (127mm)	7-1/2" (190.5mm)
905105	MF 850 2"	2" (50.8mm)	4-1/4" (107.95mm)	5-7/8" (149.22mm)	8" (203.2mm)

Valves Are A Maintenance Item

All our valves are non-corrosive, but like any moving part in a marine environment, they require regular inspection and lubrication. Encourage your customers to regularly actuate the handle and lubricate the seals. For proper and easy valve lubrication, we recommend our MareLube Reach valve lubrication kit. It allows your customers to inject the correct lubrication directly onto the valve's moving parts using a pre-loaded syringe and extension tube. Water pump grease or mineral oil can also be used if necessary.

MareLube REACH Kit - 770049 - forespar.com



Thru-Hull Connectors

Forespar® series of Thru-Hull Connectors are precision molded in high strength Marelon®. Their great strength, light weight and complete freedom from corrosion and electrolysis make them the ideal Thru-Hull Connectors for use above or below the waterline. All Thru-Hull Connectors must be installed with proper bedding compound. We recommend a maximum torque setting of 20 lb/ft. for Series 250, Series 251 and Series 253 Thru-Hull Connectors.

THE 'S' NOTATION IN MODEL NUMBERS (EG. CF 250S 1/2), INDICATES A THRU-HULL THAT HAS BEEN FITTED WITH A SCREEN.

250 SERIES

FULL THREADED/FLUSH HEAD

Part No.	Model No.	Thread Size	Length
906000	CF 250 1/2	1/2" (12.7mm)	2" (50.8mm)
906001	CF 250S 1/2	1/2" (12.7mm)	2" (50.8mm)
906002	CF 250 3/4	3/4" (19.05mm)	2.25" (57.15mm)
906003	CF 250S 3/4	3/4" (19.05mm)	2.25" (57.15mm)
906004	CF 250 1	1" (25.4mm)	2.375" (60.32mm)
906005	CF 250S 1	1" (25.4mm)	2.375" (60.32mm)
906006	CF 250 1-1/4	1-1/4" (31.75mm)	3" (76.2mm)
906007	CF 250S 1-1/4	1-1/4" (31.75mm)	3" (76.2mm)
906008	CF 250 1-1/2	1-1/2" (38.1mm)	3" (76.2mm)
906009	CF 250S 1-1/2	1-1/2" (38.1mm)	3" (76.2mm)

'S' DENOTES SCREENED

251 SERIES

FULL THREADED MUSHROOM HEAD

Part No.	Model No.	Thread Size	Length
906010	CF 251 1/2	1/2" (12.7mm)	2" (50.8mm)
906011	CF 251S 1/2	1/2" (12.7mm)	2" (50.8mm)
906012	CF 251 3/4	3/4" (19.05mm)	2.25" (57.15mm)
906013	CF 251S 3/4	3/4" (19.05mm)	2.25" (57.15mm)
906014	CF 251 1	1" (25.4mm)	2.375" (60.32mm)
906015	CF 251S 1	1" (25.4mm)	2.375" (60.32mm)
906016	CF 251 1-1/4	1-1/4" (31.75mm)	3" (76.2mm)
906017	CF 251S 1-1/4	1-1/4" (31.75mm)	3" (76.2mm)
906018	CF 251 1-1/2	1-1/2" (38.1mm)	3" (76.2mm)
906019	CF 251S 1-1/2	1-1/2" (38.1mm)	3" (76.2mm)
906020	CF 251 2	2" (50.8mm)	3" (76.2mm)
906021	CF 251S 2	2" (50.8mm)	3" (76.2mm)

'S' DENOTES SCREENED

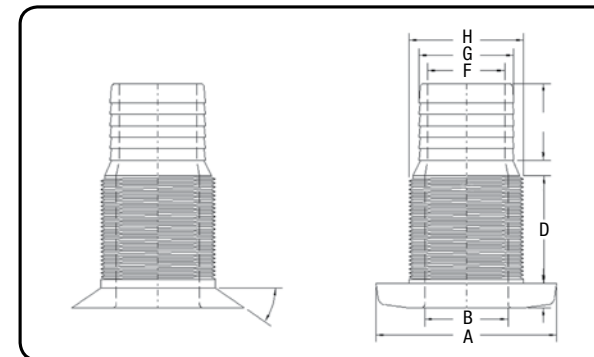
253 SERIES

HOSE TAILPIPE/MUSHROOM HEAD

Part No.	Model No.	Hose I.D.
906022	CF 253 1/2	1/2" - 5/8" (12.7 - 15.87mm)
906023	CF 253S 1/2	1/2" - 5/8" (12.7 - 15.87mm)
906024	CF 253 3/4	3/4" (19.05mm)
906025	CF 253S 3/4	3/4" (19.05mm)
906026	CF 253 1	1" (25.4mm)
906027	CF 253S 1	1" (25.4mm)
906070	CF253 1-1/8	1-1/8" (28.57mm)
906071	CF253S 1-1/8	1-1/8" (28.57mm)
906028	CF 253 1-1/4	1-1/4" (31.75mm)
906029	CF 253S 1-1/4	1-1/4" (31.75mm)
906030	CF 253 1-1/2	1-1/2" (38.1mm)
906031	CF 253S 1-1/2	1-1/2" (38.1mm)
906032	CF 253 2	2" (50.8mm)
906033	CF 253S 2	2" (50.8mm)

'S' DENOTES SCREENED

THRU-HULL MEASUREMENTS



FLUSH HEAD DRAIN

Part No.	Model No.	Thread Size & Hose I.D.	Thread Length
906038	CF254 1-1/4	1-1/4" (31.75mm)	1 3/4" (44.45mm)
906036	CF 254 1-1/2	1-1/2" (38.1mm)	1 3/4" (44.45mm)
906037	CF 254S 1-1/2	1-1/2" (38.1mm)	1 3/4" (44.45mm)
906034	CF 254 2	2" (50.8mm)	1 3/8" (34.92mm)
906035	CF 254S 2	2" (50.8mm)	1 3/8" (34.92mm)
906039	CF 254 1-5/8	1-5/8" (41.27mm)	1 3/8" (34.92mm)

'S' DENOTES SCREENED

CORRESPONDING DIMENSION FROM ABOVE DRAWING

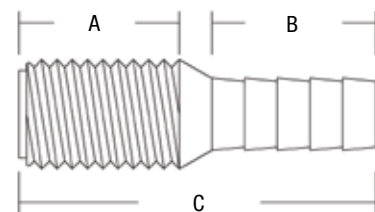
SERIES	A	B	C	D	E	F	G	H
250								
1/2" (12.7mm)	2.375(60.32mm)	.430(10.92mm)	.335(8.5mm)	2.000(50.8mm)	N/A	N/A	N/A	.810(20.57mm)
3/4" (19.05mm)	2.430(61.72mm)	.665(16.89mm)	.320(8.1mm)	2.250(57.15mm)	N/A	N/A	N/A	1.015(25.78mm)
1" (25.4mm)	2.835(72mm)	.875(22.22mm)	.320(8.1mm)	2.375(60.32mm)	N/A	N/A	N/A	1.285(32.63mm)
1-1/4" (31.75mm)	2.820(71.63mm)	1.115(28.32mm)	.325(8.25mm)	3.000(76.2mm)	N/A	N/A	N/A	1.635(41.52mm)
1-1/2" (38.1mm)	2.562(65.07mm)	1.380(35.05mm)	.320(8.1mm)	3.000(76.2mm)	N/A	N/A	N/A	1.850(46.99mm)
251								
1/2" (12.7mm)	1.500(38.1mm)	.448(11.37mm)	.256(6.5mm)	2.125(53.97mm)	N/A	N/A	N/A	.810(20.57mm)
3/4" (19.05mm)	2.084(52.93mm)	.690(17.52mm)	.335(8.5mm)	3.093(78.56mm)	N/A	N/A	N/A	1.028(26.11mm)
1" (25.4mm)	2.345(59.56mm)	.880(22.35mm)	.288(7.31mm)	2.400(60.96mm)	N/A	N/A	N/A	1.282(32.56mm)
1-1/4" (31.75mm)	2.650(67.31mm)	1.110(28.19mm)	.345(8.76mm)	2.950(74.93mm)	N/A	N/A	N/A	1.615(41.02mm)
1-1/2" (38.1mm)	2.940(74.67mm)	1.360(34.54mm)	.345(8.76mm)	2.950(74.93mm)	N/A	N/A	N/A	1.850(46.99mm)
253								
1/2" (12.7mm)	1.506(38.25mm)	.505(12.82mm)	.265(6.73mm)	1.490(37.84mm)	.975(24.76mm)	.439(11.15mm)	.657(16.68mm)	.812(20.62mm)
3/4" (19.05mm)	2.100(53.34mm)	.670(17.01mm)	.325(8.25mm)	1.677(42.59mm)	1.028(26.11mm)	.535(13.58mm)	.770(19.55mm)	1.015(25.78mm)
1" (25.4mm)	2.350(59.69mm)	.958(24.33mm)	.295(7.49mm)	1.695(43.05mm)	1.085(27.55mm)	.797(20.24mm)	1.015(25.78mm)	1.280(32.51mm)
1-1/4" (31.75mm)	2.675(67.94mm)	1.194(30.32mm)	.327(8.3mm)	1.818(46.17mm)	1.280(32.51mm)	1.021(25.93mm)	1.273(32.33mm)	1.615(41.02mm)
1-1/2" (38.1mm)	2.933(74.49mm)	1.350(34.29mm)	.345(8.76mm)	1.875(47.62mm)	1.280(32.51mm)	1.258(31.95mm)	1.530(38.86mm)	1.850(46.99mm)
2" (50.8mm)	3.511(89.17mm)	1.842(46.78mm)	.375(9.5mm)	1.875(47.62mm)	1.350(34.29mm)	1.610(40.89mm)	2.018(51.25mm)	2.320(58.92mm)
254								
1-1/4" (31.75mm)	2.805(71.24mm)	1.164(29.56mm)	.316(8.02mm)	1.500(38.1mm)	1.280(32.51mm)	.945(24mm)	1.260(32mm)	1.615(41.02mm)
1-1/2" (38.1mm)	2.805(71.24mm)	1.406(35.71mm)	.316(8.02mm)	1.500(38.1mm)	1.280(32.51mm)	1.115(28.32mm)	1.475(37.46mm)	1.850(46.99mm)
2" (50.8mm)	3.525(89.53mm)	1.672(42.46mm)	.325(8.25mm)	1.500(38.1mm)	1.300(33.02mm)	1.480(37.59mm)	2.018(51.25mm)	2.320(58.92mm)

Tailpipes / Hose Connectors

Our Tailpipes are also made from high-strength glass-reinforced Marelon®. Perfect choice for joining hose lines to Forespar® Ball Valves and Seacocks.



Clear View Connectors
Not For Use With
Petroleum Products



TAPERED PIPE THREADS

Available in Black or Clear View

Part No.	Model No.	Thread Size	Tailpipe Dia.	A	B	C
905006	CF 252 1/2	1/2"(12.7mm)	5/8"(15.87mm)	1"(24.4mm)	1"(24.4mm)	2-1/4"(57.15mm)
905007	CF 252 3/4	3/4"(19.05mm)	3/4"(19.05mm)	1"(24.4mm)	1"(24.4mm)	2-3/8"(60.32mm)
905008	CF 252 1	1"(24.4mm)	1"(24.4mm)	1-1/2"(38.1mm)	1-1/16"(26.98mm)	2-7/8"(73.02mm)
905009	CF 252 1-1/4	1-1/4"(31.75mm)	1-1/4"(31.75mm)	1-5/8"(41.27mm)	1-1/4"(31.75mm)	3-1/4"(82.55mm)
905010	CF 252 1-1/2	1-1/2"(38.1mm)	1-7/16"(36.51mm)	1-7/16"(36.51mm)	1-1/8"(28.57mm)	2-5/8"(66.67mm)
905011	CF 252 2	2"(50.8mm)	2"(50.8mm)	1-11/16"(42.88mm)	1-1/4"(31.75mm)	3-1/4"(82.55mm)
905016	CF 252 1-1/8	1"(24.4mm)	1-1/8"(28.57mm)	1"(24.4mm)	1-1/16"(26.98mm)	2-7/8"(73.02mm)
905017	CF 252 1-1/2	1-1/2"(38.1mm)	1-1/4"(31.75mm)	1-7/16"(36.51mm)	1-1/4"(31.75mm)	2-5/8"(66.67mm)

Add a "C" after the above part numbers for CLEAR VIEW fittings

Part No.	Model No.	Thread For Size	Tube I.D.
910146	HC 4x4	1/4"(6.35mm)	1/4"(6.35mm)
910147	HC 4x5	1/4"(6.35mm)	5/16"(7.93mm)
910148	HC 4x6	1/4"(6.35mm)	3/8"(9.52mm)
910149	HC 4x8	1/4"(6.35mm)	1/2"(12.7mm)
910150	HC 6x6	3/8"(9.52mm)	3/8"(9.52mm)
910154	HC 6x8	3/8"(9.52mm)	1/2"(12.7mm)
910156	HC 8x8	1/2"(12.7mm)	1/2"(9.52mm)
910157	HC 8x12	1/2"(12.7mm)	3/4"(12.7mm)
910158	HC 12x8	3/4"(19.05mm)	1/2"(12.7mm)
910159	HC 12x12	3/4"(19.05mm)	3/4"(19.05mm)
910160	HC 12x16	3/4"(19.05mm)	1"(24.4mm)
910168	HC 20x24	1-1/4"(31.75mm)	1-1/2"(38.1mm)

Elbows

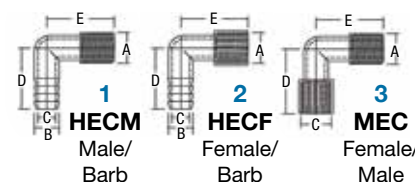
Molded from high-strength Marelon®. Dimension 'A' indicates pipe thread size.



1 Male Threads

Available in Black or Clear View

2 Female Threads



Part No.	Model No.	A	B	C	D	E
1 901000	HECM 8	1/2"(12.7mm)	5/8"(15.87mm)	7/16"(11.11mm)	2"(50.8mm)	1-1/2"(38.1mm)
901001	HECM 12	3/4"(19.05mm)	3/4"(19.05mm)	1/2"(12.7mm)	2-1/8"(53.97mm)	1-5/8"(41.27mm)
901002	HECM 16	1"(24.4mm)	1"(24.4mm)	5/8"(15.87mm)	2-1/2"(63.5mm)	1-7/8"(47.62mm)
901003	HECM 20	1-1/4"(31.75mm)	1-1/4"(31.75mm)	7/8"(22.22mm)	2-3/4"(69.85mm)	2-5/16"(58.72mm)
901004	HECM 24	1-1/2"(38.1mm)	1-1/2"(38.1mm)	1-1/16"(26.98mm)	3-1/4"(82.55mm)	2-3/4"(69.85mm)
901005	HECM 32	2"(50.8mm)	2"(50.8mm)	1-1/2"(38.1mm)	3-5/8"(92.07mm)	3-1/4"(82.55mm)
901052	HECM 24/20	1-1/2"(38.1mm)	1-1/4"(31.75mm)	7/8"(22.22mm)	2-3/4"(69.85mm)	2-3/4"(69.85mm)
901053	HECM 16/16.125	1"(24.4mm)	1-1/8"(28.57mm)	29/32"(22.86mm)	2-1/2"(63.5mm)	1-7/8"(47.62mm)

Add A "C" After The Above Part Numbers For Clear View Fittings
Clear View Connectors Not For Use With Petroleum Products

2 901006	HECF 8	1/2"(12.7mm)	5/8"(15.87mm)	7/16"(11.11mm)	2"(50.8mm)	1-5/8"(41.27mm)
901007	HECF 12	3/4"(19.05mm)	3/4"(19.05mm)	9/16"(14.28mm)	2-3/16"(55.56mm)	1-3/4"(44.45mm)
901008	HECF 16	1"(24.4mm)	1"(24.4mm)	5/8"(15.87mm)	2-1/2"(63.5mm)	1-7/8"(47.62mm)
901009	HECF 20	1-1/4"(31.75mm)	1-1/4"(31.75mm)	7/8"(22.22mm)	2-3/4"(69.85mm)	2-1/2"(63.5mm)
901010	HECF 24	1-1/2"(38.1mm)	1-1/2"(38.1mm)	1-1/8"(28.57mm)	3-1/8"(79.37mm)	2-3/4"(69.85mm)
901011	HECF 32	2"(50.8mm)	2"(50.8mm)	1-9/16"(39.68mm)	3-5/8"(92.07mm)	3-1/4"(82.55mm)

CLEAR VIEW not available on above

3 920207	MEC 8	1/2"(12.7mm)		1/2"(12.7mm)	1-5/16"(33.33mm)	1-7/16"(36.57mm)
920336	MEC 12	3/4"(19.05mm)		3/4"(19.05mm)	1-5/8"(41.27mm)	1-5/8"(41.27mm)

CLEAR VIEW not available on above

Female Threaded Barbed Hose Fitting

This fitting is also made of high strength glass-reinforced Marelon®.

Part No.	Model No.
901014	1/2"(12.7mm) FPT to 1/2"(12.7mm) HOSE BARB
901015	3/4"(19.05mm) FPT to 3/4"(19.05mm) HOSE BARB
905012	1-1/2"(38.1mm) FPT to 3/4"(19.85mm) HOSE BARB
905013	1-1/2"(38.1mm) FPT to 1"(24.4mm) HOSE BARB
905015	1-1/2"(38.1mm) FPT to 1-1/8"(28.57mm) HOSE BARB
905014	1-1/2"(38.1mm) FPT to 1-1/2"(38.1mm) HOSE BARB

CLEAR VIEW not available on above



'Y' Valves & Connectors

Forespar® 'Y'-Valves and Connectors are molded from Marelon®. Offering an improved, stronger handle design, our valves are available in 1"(25.4mm) and 1-1/2"(38.1mm) barb size. 'Y'-Valves are an essential piece of equipment when the flow of water or other fluids are required to be conveniently diverted, as in a marine head application where a holding tank is utilized. They are easily mounted to a bulkhead. The valves are operated by a simple 120° movement. Positive stops are provided between positions. Replacement parts are available.

Our 'Y' Connectors can be used for connecting fluid lines. End plate may be removed for blockage relief etc. O-ring seal ensures leak free performance and is safe under pressure working conditions up to 40 P.S.I. Available with or without mounting flange.



'Y' CONNECTORS

Part No.	Model No.	Flange	Barb Size
902002	HYCF 16	Yes	1"(25.4mm)
902003	HYC 16	No	1"(25.4mm)
902004	HYCF 24	Yes	1-1/2"(38.1mm)
902005	HYC 24	No	1-1/2"(38.1mm)

'Y' VALVES

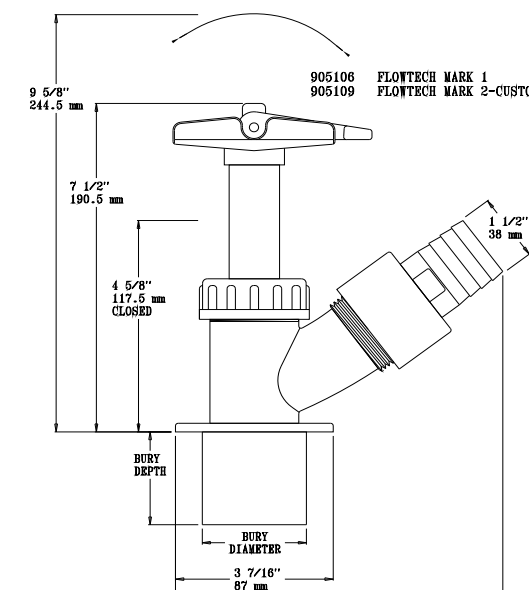
Part No.	Model No.	Barb Size
902000	MF 852	1-1/2"(38.1mm)
902001	MF 853	1"(25.4mm)
902006	'Y'-Valve Parts Kit (fits 1 & 1-1/2")	
902007	MF 854	3/4"(19.05mm)
902008	MF 855	1-1/8"(28.57mm)

It Is Not Recommended To Install Y-Valves Below The Waterline

Flowtech™ Performance Valve The Racer's Choice

Flowtech™ free flow sea valves incorporate the valve body, thru-hull and the choice of all three sizes of hose pipe connections all in one set. These high performance valves are available for 3/4"(19.05mm), 1"(25.14mm) & 1-1/2"(38.1mm) hose sizes. The Flowtech™ valve pipe can be faired smooth to the boat's outer skin so that when the valve is closed, the internal plunger and valve pipe creates a flush, fair & fast outer surface. Made of Marelon®

Valve Components Are Not Compatible With Any Other Manufacturers' Product



Bury Info	Depth	Dia.
Folwtech™ Valve Mark I	1 3/8" (35 mm)	1 7/8" (47.6 mm)
Folwtech™ Valve Mark II	2 1/16" (52 mm)	2 1/4" (57 mm)

Description	P/N	Wt
Folwtech™ Valve Mark I	905106	1.502 oz
Folwtech™ Valve Mark II	905109	1.702 oz
Folwtech™ Mark I Repair Kit	905107	
Folwtech™ Mark II Repair Kit	905112	

T-150 Water Strainer

Our new Marelon T-150 Strainer provides a compact installation alternative for raw water filtration without compromising filtration rates. It features a T-Head body design and unique mounting bracket that allows the T-150 to be installed in tight or hard-to-reach locations where traditional raw water strainers will not fit. Despite its smaller size, it offers all the benefits of traditional "top basket" strainers.

The clear molded polycarbonate filter bucket screws onto the Marelon housing and offers easy viewing of the stainless steel filter basket without removal. The T-150 also features a unique flexible C clamp mounting bracket that allows the strainer to be snapped into place and rotated as needed to face any direction to fit tight spaces.

The T-150 fits 1-1/2" Female NPSM (Parallel Threads) Ports to which you can attach a straight or 90° Hose Barb Tailpipe as needed. Adaptors are also available for 3/4", 1", 1-1/8" & 1-1/4" fittings.

(SEE REDUCERS AND ADAPTERS SHOWN BELOW)

Part No.	Model No./Description
906166	T-150 Water Strainer
920261	T-150 Clear Bowl
920262	T-150 Gasket
920265	T-150 Mesh Screen #20 (Extra Fine)
920264	T-150 Mesh Screen #8 (Standard) 906187 T-150 Mounting Bracket



Molded From Glycol
Anti-Freeze Resistant Resin

Water Strainer

This water strainer is made of Marelon® (same material as our valves). It features a new universal mounting bracket and clear polycarbonate lid for ready inspection. The stainless steel strainer basket can be easily removed for cleaning. Intake and exit ports are 1-1/2"(38.1mm) ANP parallel threads standard. Reducers for 3/4"(19.05mm) I.D. hose are available separately. Diameter: 6.3"(160.02mm) Height: 6.1"(154.94mm). The flow rate is 40 GPM(151.41l/m) with 1-1/2"(38.1mm) ports.

(SEE REDUCERS AND ADAPTERS SHOWN BELOW)

The new mounting bracket allows the strainer exit port to be positioned in the proper direction by simply loosening the bracket clamp and rotating the entire housing. This will allow the OEM or aftermarket customer greater flexibility in installation.



Part No.	Model No./Description	Part No.	Model No./Description
906066	MF 810 Water Strainer	906065	s/s Basket only
906067	MF 811 Gasket Set	920178	Clear Cover only

Water Strainer Reducers/Adapters



Part No.	Model No.	Thread
901045	FTC 8	1/2"(12.7mm) female
901046	FTC 12	3/4"(19.05mm) female
901042	FTC 16	1"(25.14mm) female
901044	FTC 20	1-1/4"(31.75mm) female
901043	FTC 24	1-1/2"(38.1mm) female
901040	MTC 12-8	3/4"(19.05mm)-1/2"(12.7mm) male
901050	MTC 12-12	3/4"(19.05mm)-3/4"(19.05mm) male
901051	MTC 16-12	1"(25.14mm)-3/4"(19.05mm) male
901047	MTC 24-16	1-1/2"(38.1mm)-1"(25.14mm) male
901048	MTC 24-20	1-1/2"(38.1mm)-1-1/4"(31.75mm) male
901049	MTC 24-24	1-1/2"(38.1mm)-1-1/2"(38.1mm) male
910062	RB 24-16	1-1/2"(38.1mm) male- 1"(25.14mm) female
910063	RB 24-12	1-1/2"(38.1mm) male -3/4"(19.05mm) female

Remote Operated ROV™ 93 Valves Switch Operated Valves Open And Close With Push of Button

Forespar® now offers remote operated ROV™ (Remote Operated Valves) to boat builders wishing to offer their customers the added convenience of remotely operating their seacocks without the need to go below, get on your knees and reach into the bilge to open or close the valves. Powerful sealed motors open or close the valve with a push of a button or flip of a switch. Contact Forespar for further information.

- Motor Activated, Push Button Control
- Switch Indicator Lights Confirm Valve Status
- UL Approved, ISO Certified, ABYC Compliant
- Motors Are CE Certified, RoHS Compliant & Exceed EMC Motor Directives
- Exceeds ISO Water Intrusion & Explosion Hazard Standards
- Available In 12v or 24v

Part No.	Model
930145	1/2"- 3/4" valves
930146	1" - 1-1/4" valves
930147	1-1/2" - 2" valves

Please specify 12v or 24v systems



Interlock™ Smart Valve Systems Programmed Valve Control Automatically Protects Critical Systems

Forespar's Interlock Valve Control system automatically opens and closes system valves to protect critical systems from improper valve operation commonly due to human error. A fully integrated system, it is factory set to match the boat's requirements as requested by the builder or qualified installer. Unique programming allows the valve to control equipment or the equipment can control the valve. Owners simply flip the panel switch and powerful sealed motors open or close each valve as needed based on pre-programmed specifications. All valves used in the system are composite Marelon components which are UL approved, ISO Certified and ABYC compliant.

- Pre-Programmed Automatic Valve Activation
- Panel Lights Confirm Valve Status At A Glance
- UL Approved, ISO Certified, ABYC Compliant
- Exceeds ISO Water Intrusion & Explosion Hazard Standards
- Motors Are CE Certified, RoHS Compliant & Exceed EMC Motor Directives
- 12v or 24v



It's What Today's Owners Expect!
Call our Forespar Representative For Details



Marelon® 93 Series Integrated Plumbing Systems

Marelon Retail Pack Valve & Mushroom Thru-hull

For retailers, we offer 6 common valve sizes of our standard 93 Series hose barb valves in a bag package for a hanging rack display. This helps protect the product from damage caused by rough handling in common "bin" type displays and get the product up in front of the customer to help promote in-store sales.



Thru-hull Size	Part No	Description
1/2"	904042ABYC	Marelon Retail Pack 1/2"
3/4"	904043ABYC	Marelon Retail Pack 3/4"
1"	904044ABYC	Marelon Retail Pack 1"
1 1/4"	904045ABYC	Marelon Retail Pack 1-1/4"
1 1/2"	904046ABYC	Marelon Retail Pack 1-1/2"
2"	904048ABYC	Marelon Retail Pack 2"

Engine Flush Out Valve

Engines running in salt or brackish water need to be flushed with fresh water after use to prevent costly corrosion during Winter or off-season storage. Forespar® has designed a single valve system that makes this maintenance procedure simple.

This Seacock/Y Valve configuration includes a brass garden hose connection to facilitate regular fresh water engine flushing valve includes thru-hull that must be used. A quick and easy way to flush inboard engine systems.



Hose Barb Diameter	Mushroom Part No	Mushroom Screened Part No
1"	931274	937474
1-1/4"	931275	937475
1-1/2"	931276	937476
2"	931278	937478

Locking Handle Option

Forespar offers an optional locking plate installed at the factory on any "93" series Integrated Seacocks. These new locking plates allow the handle to be set in the closed position and a padlock used to positively lock the valve closed. This new feature will satisfy the USCG requirements for locking overboard discharged head system seacocks in the closed, no discharge position.

Locking handle option for integrated Seacocks 1"(25.4mm) through 2"(50.8mm) sizes.

Part No	Description
930136	Optional handle lock for 1"(25.4mm) & 1 -1 1/4"(31.75mm)
930137	Optional handle lock for 1 1/2"(38.1mm) & 2"(50.8mm)

Note: - Forespar does not supply the padlock. Valve locks are not sold separately and are not a retrofit item.



Garboard Drains

For newer, thicker transoms, Forespar® designed a drain & plug assembly to fit up to 1-3/4"(44.45mm) thick transoms. Our Marelon® female 3/4"(19.05mm) elbows or female threaded barbed hose fitting (see page 40) can be screwed onto the end for hose attachment if needed. All Marelon® construction insures years of corrosion free use.

Part No.	Description
906081	GARBOARD DRAIN
906075	GARBOARD DRAIN (Short)
906076	GARBOARD DRAIN (Long)
906091	NEW GARBOARD DRAIN Black 2" dia.
906092	NEW GARBOARD DRAIN White 2" dia.



- GD-S #906075 (short) Usable length with 5 threads engaged is 2-1/2" (63.5mm) maximum, 1-7/16" (36.51mm) minimum.
- GD-L #906076 (long) Usable length with 5 threads engaged is 3-1/4" (82.55mm) maximum, 2-1/2" (63.5mm) minimum.
- Diameter of the flange (both ends) is 2" (50.8mm). Diameter of the body (female threaded unit) is 1-3/16" (30.16mm). This is the diameter of the hole needed to install the unit through the transom.
- The screw style plug with gasket comes with it standard. Color of the Marelon material is white (like all our T-hulls).

Outboard Well Drain

The Forespar® outboard well drain offers a corrosion proof, easy-to-install replacement for the old fashioned brass fitting. Can also be used as a chafe guard to lead hose, wiring, steering cables, etc. through bulkheads, floor timbers and fiberglass panels. Barbs on O.D. ensure positive locking action. Designed to fit 1"(25.14mm) diameter hole.

Part No	Model No
907006	MF 795



Flange is 1-1/4"(31.75mm) dia.

Deck Fills

Molded in Marelon® for lifetime durability, Forespar® Deck fills are available in three color-coded models. Each clearly marked for use with either water, fuel or waste. Easy-open cap is fitted with nylon retainer cord and rubber 'O'-ring to ensure a safe and efficient seal. Suitable for 1-1/2"(38.1mm) I.D. hose.



Deck Flange is 4"(101.6mm) dia. Cutout: 2-1/8"(53.97mm) Hose Barb Length: 3"(76.2mm)

Part No.	Model No	For use with:
907002	MF 830 F	Fuel
907003	MF 830 W	Water
907004	MF 830 WST	Waste
153000	Waste Adapter for 1.5"(38.1mm) threads	

Utility Drain D-1

Fully threaded acetal utility drain. Thread length: 1-3/8"(34.92mm) Thread size: 1"(25.14mm)



Part No.	Model No
907028	D-1

Drain Plug

Molded from Forespar's Marelon® and fitted with a neoprene seal; the Forespar® Drain Plug is carefully designed to not deteriorate and crack with age.



Part No.	Model No
907001	MF 790

Scoop Strainers

These high-strength, high-speed strainers are also made of non-corrosive Marelon®. Two piece construction allows for greater ease in installation. Available in 3/4"(19.05mm) and 1-1/4"(31.75mm) thread sizes.

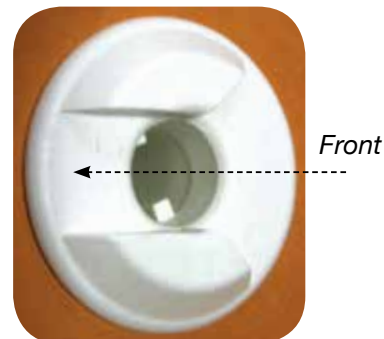


Part No.	Model No.	Thread Size	A	B	C	D
906059	MF 867	3/4"	3/4"(19.05mm)	1-1/32"(26.18mm)	2-1/4"(57.15mm)	1"(25.4mm)
906060	MF 868	1-1/4"	1-1/4"(31.75mm)	1-5/8"(41.27mm)	2-15/16"(74.42mm)	1"(25.4mm)
906061	MF 865	3/4"	screen only			1"(25.4mm)
906062	MF 866	1-1/4"	screen only			1"(25.4mm)

Screens only can be epoxied to the hull to eliminate additional holes in the gel-coat. Scoop screens can also be used over other thru-hulls (flush head styles are best) whenever a force feed is required.

Anti-Venturi T-Hull

Custom tooled by Forespar®, these new thru-hulls have been tested on boats at varying rpm's and turn rates up to 45 mph. On a 3/4" generator intake line with this thru hull fitted, 0" to ~5" of vacuum was noted. This did not present a pressure situation which could potentially push water past the vanes of an older impeller and flood the cylinders or starve it of cooling water. The unique notch and lowered ramp in the leading edge (photo-front) provides a force-feed effect. To keep this force from overwhelming equipment impellers, the exit slot allows water flow to exit at a controlled rate. Installed and tested by the Monterey Boats team of engineers.



Arrow Indicates Water Flow Direction

The new Forespar® "Anti-Venturi" head thru hull for use with the 1/2" & 3/4" Marelon® Integrated Plumbing Systems seacocks ("93" series flange style valves) is available now in 3/4". These have the Integrated Plumbing Systems buttress style thread-form to fit the Integrated System flanged seacocks only. To order this option on any flanged style Marelon® integrated valve add a "V" after the valves 6 digit part number.

Part No.	Description
930171	Anti-Venturi T-Hull

Vented Loops

Installing one of our vented loops will ensure that fluids will not siphon from tank to tank. Vented Loops are commonly used in the marine toilet system and engine cooling system. The simple valve system incorporated in the top of the loop allows air to enter the line when not in use, yet effectively seals as water or other fluid passes through. Molded in Marelon®, neither vent nor loop will corrode. The duckbill one way valve is designed to seal properly if particulate matter is present in fluids. The new MF-846 vent barb assembly can be used in lieu of the standard MF-841 cap/duckbill. This option allows venting to the outside of the hull via a 1/4"(6.35mm) hose.

Part No.	Model No.	Barb Size	Height	Width
903000	MF 840	1-1/2"(38.1mm)	5-1/4"(133.35mm)	7-3/4"(196.85mm)
903000W	MF 840	White 1-1/2"(38.1mm)	5-1/4"(133.35mm)	7-3/4"(196.85mm)
903001	MF 842	3/4"(19.05mm)	4-1/2"(114.3mm)	3-3/4"(95.25mm)
903001W	MF 842	White 3/4"(19.05mm)	4-1/2"(114.3mm)	3-3/4"(95.25mm)
903002	MF 841	Vent Cap Assembly		
903002W	MF 841	White Vent Cap Assembly		
903003	MF-843	5/8"(15.87mm)	4-1/2"(114.3mm)	4"(101.6mm)
903004	MF-846	Vent Barb Assembly		
903007	MF-844	1"(25.4mm)	7"(177.8mm)	9"(228.6mm)
903007W	MF-844	White 1"(25.4mm)	7"(177.8mm)	9"(228.6mm)
903008	MF-845	1/2"(12.7mm)	5-1/4"(133.35mm)	4-1/4"(107.95mm)
903008W	MF-845	White 1/2"(12.7mm)	5-1/4"(133.35mm)	4-1/4"(107.95mm)
903018	MF-847	1-1/8"(28.57mm)	7"(177.8mm)	9"(228.6mm)
903011	MF-839	1-1/4"(28.57mm)	7"(177.8mm)	9"(228.6mm)
903011W	MF-839	White 1-1/4"(28.57mm)	7"(177.8mm)	9"(228.6mm)



MF-846 VENT BARB
903004

AT LEAST 10"(254MM) ABOVE WATERLINE
Duckbill One-Way Valve

Sink Wastes

Available in straight and 90° configurations, these drains are designed for 1" and 3/4" tubing. Models SW-3, SW-4 and SW-6 are bright chrome plated, non-corrosive plastic.

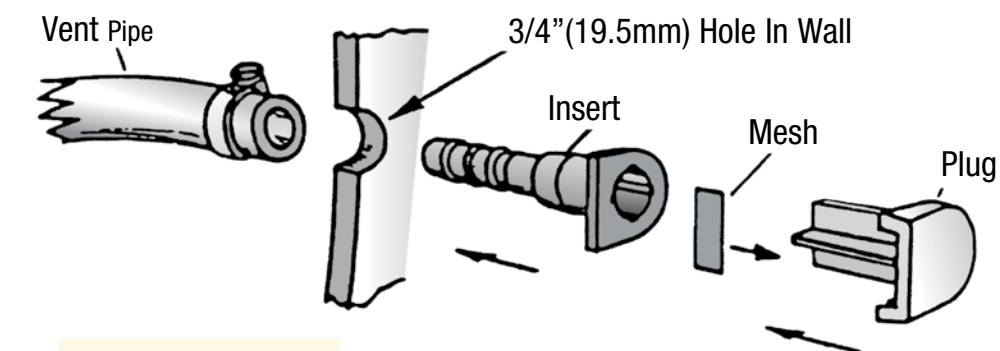


Part No.	Model No.	Tail	Flange	Cut-Out	OD
907000	SW-1	Straight—For 1"(25.14mm) I.D.	1-3/4"(44.45mm)	1-5/16"(33.33mm)	2 7/16" x 2 7/16" x 1 5/8"
907014	SW-2	90°—For 1"(25.14mm)I.D.	1-3/4"(44.45mm)	1-5/16"(33.33mm)	3 3/16" x 2" x 2 1/2"
907015	SW-3	Straight—1-1/2"(38.11mm) screw	2-7/8"(73.02mm)	2"(50.8mm)	3" x 3" x 1 3/4"
907016		Replacement Sink Stopper			
907017	SW-4	90° - For 1"(25.14mm) I.D.	2-7/8"(73.02mm)	2"(50.8mm)	3 3/4" x 3" x 4 1/8"
907013	SW-5	(same as SW-1, for 3/4"(19.05mm)I.D.)	1-3/4"(44.45mm)	1-5/16"(33.33mm)	2 7/16" x 2 7/16" x 1 51/64"
907022	SW-6	Straight—For 1"(25.14mm)I.D.	2-7/8"(73.02mm)	2"(50.8mm)	3" x 3" x 3 1/8"
907027	SW-7	(same as SW-6, for 3/4"(19.05mm) I.D.)	2-7/8"(73.02mm)	2"(50.8mm)	3" x 3" x 3 5/16"

Tank Vent

A new idea in fuel tank vents. For hulls with solid cores only. Unit press-fits into 3/4"(19.5mm) hole without the need of a nut. The stainless steel screen will not corrode and has no plating to chip.

Typical Tank Vent Installation



Part No.	Model No.
907029	MF 610



For 5/8"(15.87mm) hose.

More Exclusive Boat Builders Products

MareLube™ Marine Lubricants

General Purpose & Heavy Load Lubricants PTFE Lubricants

MareLube™ is Forespar's new family of three specifically formulated synthetic lubricants designed for various uses around your boat. Each contains PTFE and they work equally well in fresh or salt water. The family includes MareLube™ TEF 45™ for heavy wet use locations, MareLube™ EXTRA for general purpose lubrication needs, and MareLube™ Valve for marine valves and plumbing systems.

- Long Lasting PTFE Synthetic Lubrication
- Safe On Rubber, Plastic and Painted Surfaces
- Works Equally Well In Fresh Or Salt Water
- Formulated For Specific Uses For Maximum Effectiveness



MareLube™

Valve General Purpose Lubricant

MareLube Valve Lubricant is an advanced lubrication formula designed to keep valve seals and balls working smoothly in marine plumbing systems. It is a clear, non-staining and nontoxic lube that is perfect for traditional bronze fittings, as well as all composite plumbing fixtures like Forespar's Marelon® parts.

- General Purpose PTFE Synthetic Lubrication
- Clear, Non-Staining & Non-Toxic
- Compatible With Bronze or Marelon Components
- Keeps Seals & Balls Working Smoothly

Part No	Description
770050	4 oz MareLube Valve Lubricant
770055	Valve Lubricant Liquid - 16oz

MareLube™ TEF45™

Max PTFE Heavy Load Lubricant

MareLube™ TEF 45™ is a highly water-resistant synthetic lubricant grease containing 45% PTFE. This is the highest percentage PTFE available, which makes TEF 45™ perfect for heavy loads and bi-metal anti-corrosion applications like turnbuckles, spar fittings and motor lower units. TEF 45™ also works well at protecting against rust corrosion and anti-seize applications.

- Max PTFE Heavy Load Formulation
- Highly Water Resistant
- Bi-metal Corrosion Protection
- Available in Large Quantities For OEM Use

Part No	Description
770067	MareLube TEF45 - 4 oz
770068	MareLube TEF45 - 16 oz
770170	MareLube TEF 45 - 12 oz Caulk Tube
770171	MareLube TEF 45 - 8 lbs Pail
770172	MareLube TEF 45 - 40 lbs Bucket



Learn More
forespar.com/marelube

Lanocote®

The Rust & Corrosion Solution

LanoCote works on these five basic principals: displaces water, absorbs corrosion, forms moisture barrier, penetrates and has high lubricity. LanoCote prevents dissimilar metal galvanization. LanoCote is extremely effective in preventing and stopping corrosion on all types of metals under all environmental conditions. Formulated to withstand salt water marine conditions, LanoCote® is particularly useful in preventing thread seizure due to all types of corrosion on boats and machinery.

Applied during assembly, LanoCote will greatly assist in easy dismantling years later. An example would be anchor shackles which are regularly immersed in salt water. LanoCote® also combats galvanization where dissimilar metals are fastened together, such as stainless steel fittings on alloy masts etc.

- Prevents Thread Freeze-up
- Combats Galvanic Reaction of Dissimilar Metals
- Seals Porous Surfaces
- Neutralizes Acids, Alkalies & Salts
- Prevents Corrosion On Electronic Contacts



Original Formula - New Look!

Part No.	Model
770001	LanoCote® 4 oz. Jar
770002	LanoCote® 7 oz. Aerosol Spray Can
770003	LanoCote® 16 oz. Jar
770007	LanoCote® 8 oz. Pump Spray Bottle
770035	LanoCote® 16oz. Prop & Bottom

PureWater+®

All-In-One Water Filtration System

- Simple Filter Change by Twisting Off Faucet Head and Simply Dropping Filter Into Cartridge Without Crawling Under Sink
- On-Demand Ultra-Clean Tasting Water From Your Tank
- Elegantly Styled, Simple to Install Design
- Compact Filter Housing Maximizes Under Sink Storage
- 5 Micron or Ultra Fine .5 Micron Filters



Unique Top Load Twist & Drop Filter Installation



5 Micron .5 Micron



Complete System Includes Everything Needed For Installation

Two Filtration Options
1 - 5 Micron & 1 .5 Micron Ultra-Fine Filter

Part No	Description
770295	Complete PureWater+ System

MARELON[®]

#1 Trusted Marine Plumbing System

Marelon[®] Composite Plumbing
Downwind Sailing Poles
Sailing Accessories
Performance+[®] Boat Care
Leisure Furl[™] In-Boom Furling
Davit Systems
RailFast[®] Hardware
Safety Items

FORESPAR[®]

22322 Gilberto, Rancho Santa Margarita, CA 92688 - USA

Ph: 949.858.8820 • www.forespar.com

