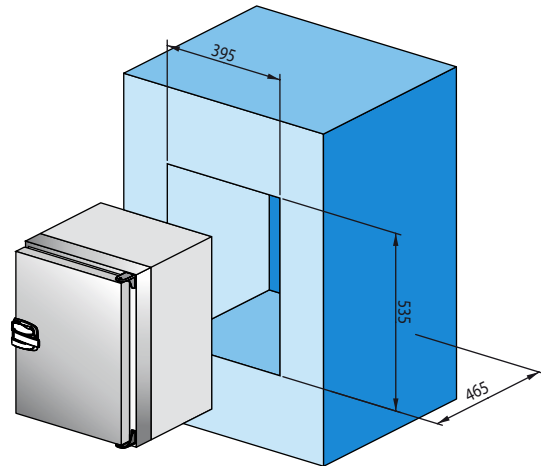
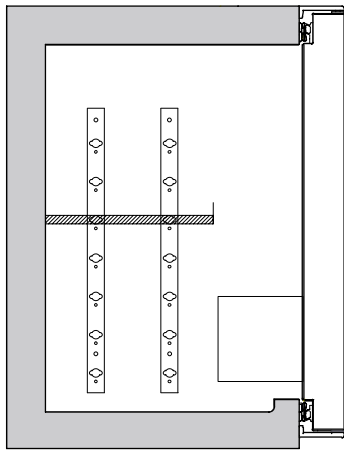
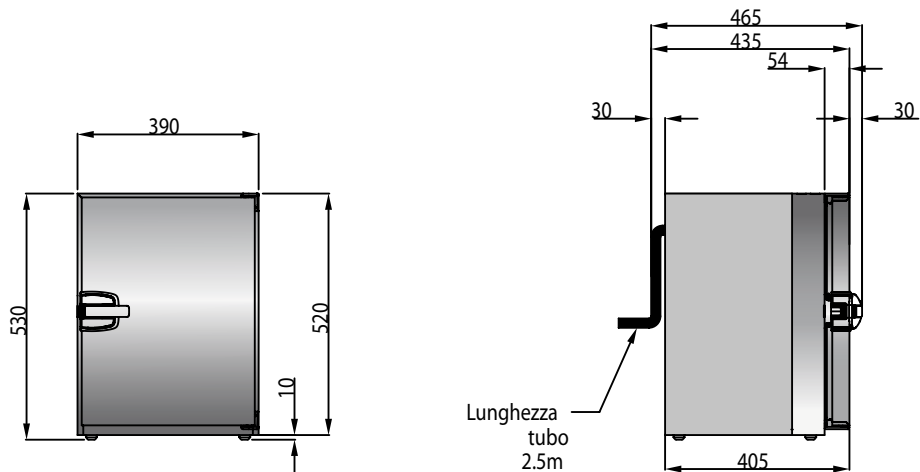


MODEL FR42RC



Characteristics standard fridge FR42RC W390xD465xH530[mm].

External walls in FeZn plastified steel

Internal walls in stainless steel AISI304BA.

Frontal part and door in brushed stainless steel AISI304SB

Insulation in polyurethane thickness 45mm

Capacity 42 Lt

Drainage in the bottom part collected to outside by $\frac{1}{4}$ connection

Stainless steel shelves adjustable in high

Integrated copper tube evaporator

Capillary gas expansion

Internal mechanical thermostat +6 -16 °C

External compressor (2.5 m pipe length)

Internal led light

Internal bottles rack