



Frigonautica

*Il freddo a misura di mare*

The Standard of Excellence for Nautical Refrigeration  
Refrigeration systems for yacht





 Frigonautica  
*Il freddo a misura di mare*



|   |              |
|---|--------------|
|  | FRIGONAUTICA |
| Experience  |              |
| Reliability   |              |
| Overall Quality   |              |
|   |              |

Frigonautica was founded in the late 1970's as a craftwork laboratory for manufacturing custom refrigerators designed for the marine industry.

From the beginning, yacht builders like Riva, Sarnico, and Baia were among the first customers to recognize the Frigonautica method of manufacturing which incorporates special skills and artistry to produce refrigeration with the highest levels of quality, performance, and reliability.

In recent years, Frigonautica has grown into one of the most important refrigeration brands in the global marine industry.

This traditional custom manufacturing process has been expanded to include a line of standard size refrigerators and freezers in line with the company's overall philosophy on quality consisting of:

- Design excellence, often carried out by working together with boat designers and manufacturers
- Research and testing of new products
- Selection of the highest grade materials
- Precision engineering
- Craftsmanship focusing on every single detail and function
- Accurate pre-sale and post-sale consulting and assistance


Frigonautica products are now distributed in the USA by Indel Webasto Marine USA which was selected because of their knowledge of marine refrigeration, distribution network, sales support, warranty support, technical support, and warehouse capacity. IWMUSA also distributes Isotherm and Isotemp brand products. Please see the back cover for contact information.





 Frigonautica  
*Il freddo a misura di mare*



|   |
|---|
|  <span style="margin-left: 20px;">STANDARD SERIES</span> |
| <span style="font-size: 1.2em;">Refrigerator</span>   |
| <span style="font-size: 1.2em;">Fridge with ice compartment</span>  |
| <span style="font-size: 1.2em;">Freezer</span>  |
|   |

The Frigonautica Standard Series of refrigerators and freezers are designed to provide the marine marketplace with a totally new line of popular sized cabinet fridges and freezers that set the highest standards for production refrigerators.

The use of stainless steel, a hallmark of Frigonautica products, represents the distinctive characteristic of the Standard Series, which includes seven different lines:

160 liters, 130 liters, 115 liters, 80 liters, 60 liters, 50 liters, and 42liters.

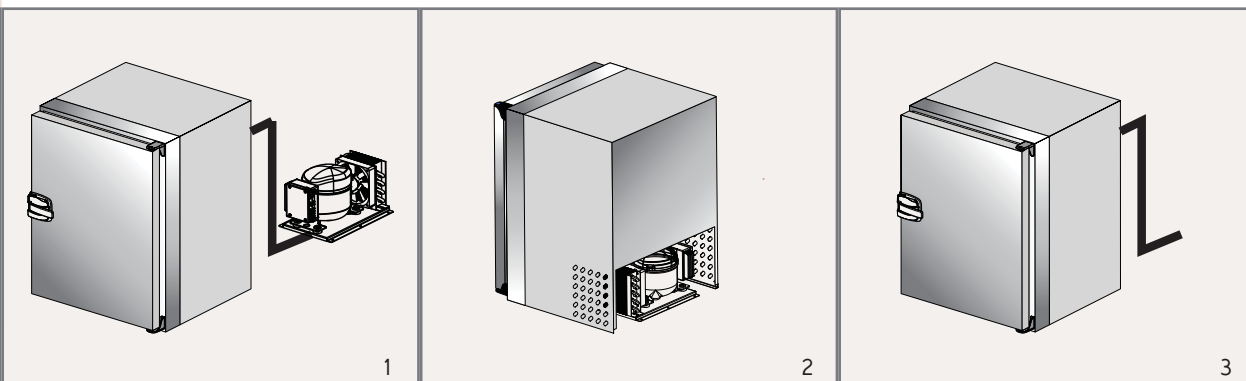
Every line is made-up by three models:

- Refrigerators with an integrated evaporator (no freezer compartment)
- Refrigerators with a freezer compartment
- Freezers with the same external dimensions which make a perfect pairing with the refrigerator models

All models are available in the following versions:

- Refrigerator or freezer equipped with a fixed compressor which is inside the cabinet's dimensions.
- Refrigerator or freezer equipped with remote-mount compressor connected to the cabinet with mechanical or quick couplings. (Special order)
- Just the refrigerator or freezer cabinet with no compressor, to be connected to existing refrigeration units. (Special order)

Because of their smaller capacity, the Series 42 and 60 models are only available with integrated evaporator (no freezer section) and remote-mount compressors with quick connects.





 Frigonautica  
*Il freddo a misura di mare*



|   |                 |
|---|-----------------|
| → | STANDARD SERIES |
|   |                 |
|   | Innovation      |
|   | Functionality   |
|   | Design          |
|   |                 |

Designed to the highest standards of overall quality, all Frigonautica models have unique features that anticipate the needs of the boat builder and the boat owner: The elegant stainless steel door is handsome yet durable and is reversible for easy right or left swing change. The door can also be equipped with a panel for matching custom woodwork and has a special three-pole magnetic seal that locks in the cold. The positive latching handle has an ergonomic handgrip for easy opening and the ability to hold the door in an open position for ventilation when not in use.

The new Standard Series designs have also focused on other practical aspects: the internal wall angles are rounded and the shelves and bottle holders can be entirely removed for easier cleaning. Additionally, all models have a condensation drain which eliminates moisture buildup in the fridge.

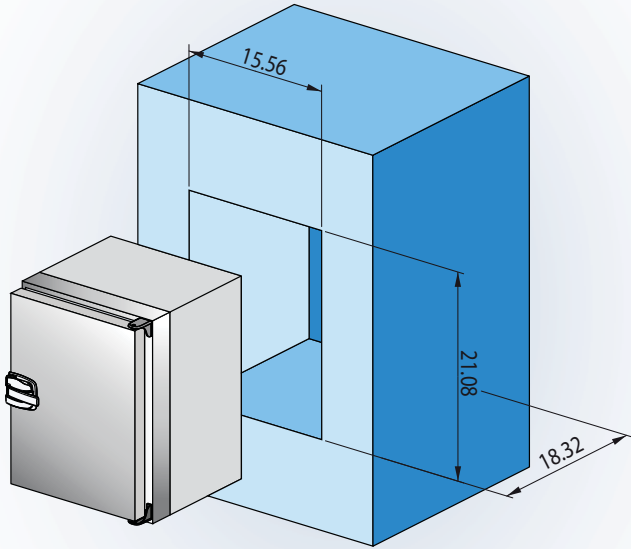
Attention to reduced power consumption is achieved by using high-density, closed-cell CFC-free polyurethane foam insulation with an increased thickness of 45 mm (1.8 inches) for the refrigerators and 60 mm (2.4 inches) for freezers. Specially designed evaporators achieve a higher efficiency and reduce battery power consumption.

The Standard Series refrigerators feature low power consumption LED lighting systems with 9 high-luminosity diodes which work automatically at 12 or 24 volts DC.

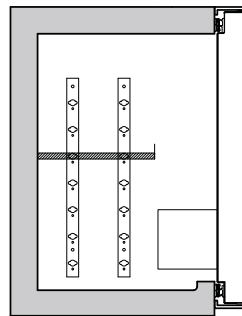
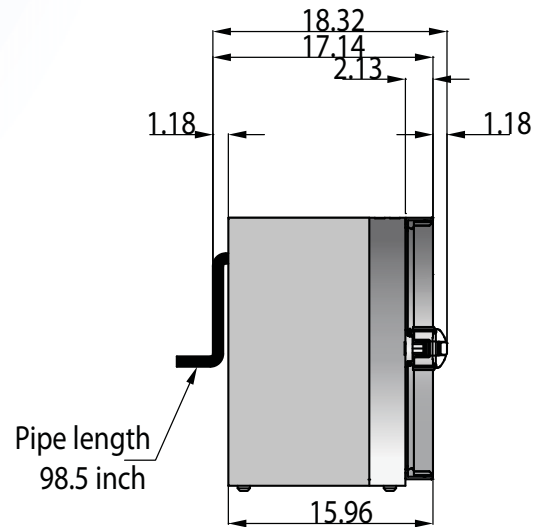
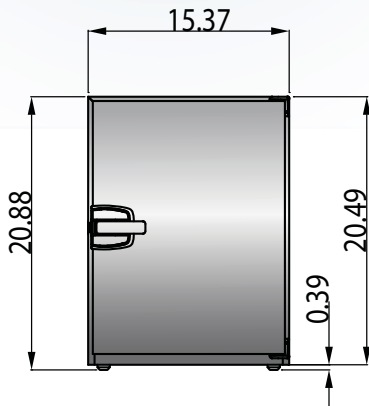
The temperature is regulated by an internal mechanical thermostat.



➔
STANDARD 42



Frigonautica's smallest Standard Series model has a capacity of 42 liters in a very small footprint. Storage capacity is maximized by a removing the internal shelf and bottle holder. With an external, remote-mount compressor, the Frigonautica Standard 42 gives boat owners maximum refrigeration storage in the smallest dimensions.



Mod. FR42RC

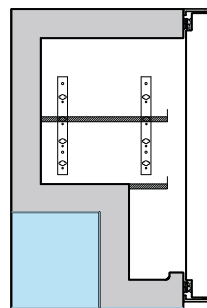
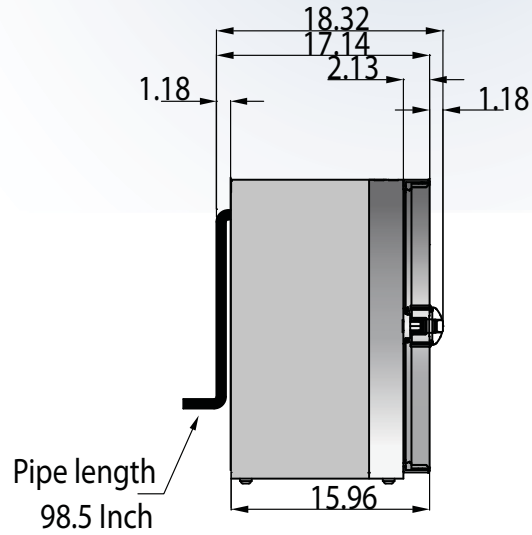
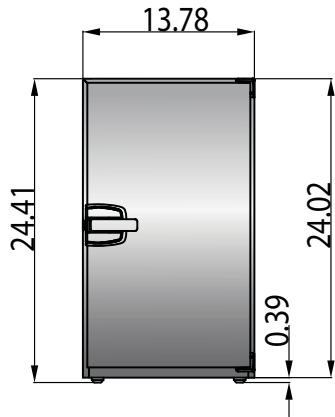
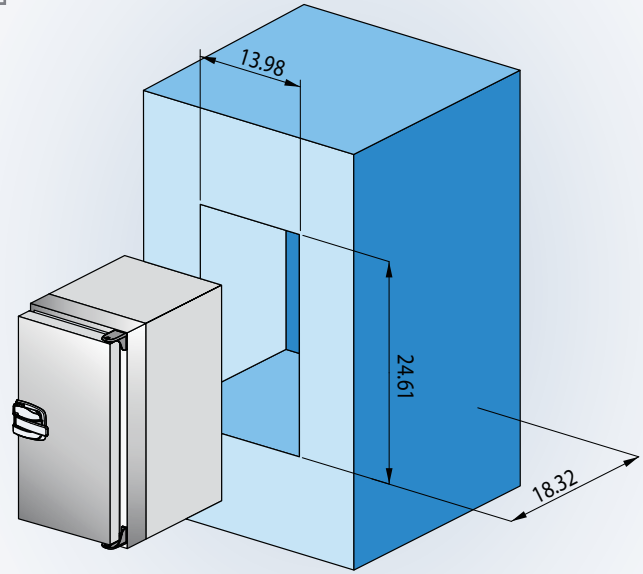
| Series | Dimension |       |       | model  | Type   | Capacity | Insulation | Evaporator | Compressor |
|--------|-----------|-------|-------|--------|--------|----------|------------|------------|------------|
|        | L         | P     | H     |        |        |          |            |            |            |
| 42     | 15.37     | 18.32 | 20.88 | FR42RC | fridge | 11.1     | 1.77       | integrated | External   |



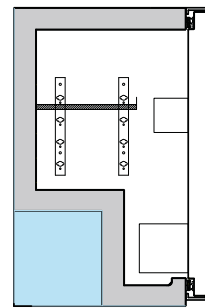


# STANDARD 50

With the same dimensions as the most common ice makers, the Series 50 is the perfect solution to replace an ice maker with a small fridge or freezer for daily use. The Series 50 is available with or without the internal freezer section.



Mod. CS50C



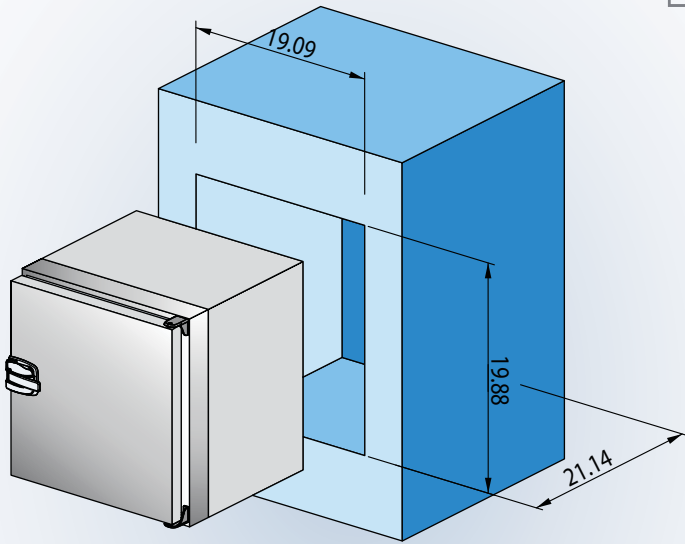
Mod. FRS50RC

| Series | Dimension |       |       | model   | Type    | Capacity | Insulation | Evaporator | Compressor |
|--------|-----------|-------|-------|---------|---------|----------|------------|------------|------------|
|        | L         | P     | H     |         |         |          |            |            |            |
| 50     | 13.78     | 18.32 | 24.41 | FRS50RC | fridge  | 8.45     | 1.77       | integrated | Internal   |
|        |           |       |       | CS50C   | freezer | 6.60     | 2.36       | integrated | Internal   |

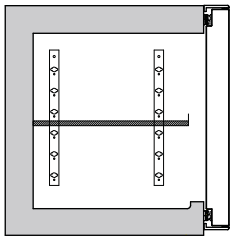
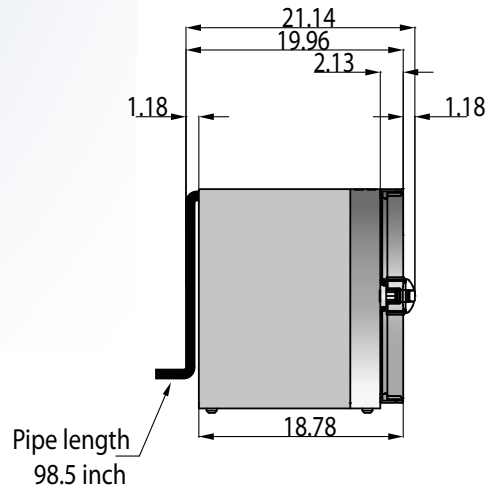
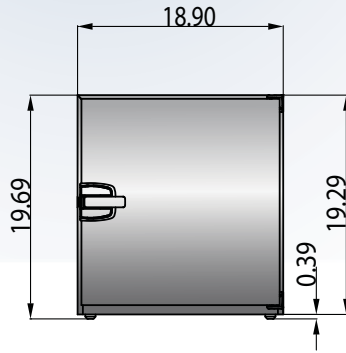


**STANDARD 60**

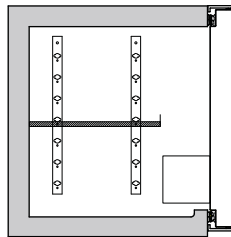
*Available with special order.*



The Standard 60 Series is one of the most popular sizes in the boating industry. This series gives the boat owner the capacity to carry maximum supplies in a small footprint. The Standard 60 is available only with the remote-mount compressor.



Mod. C60C



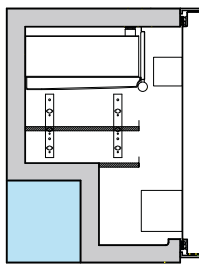
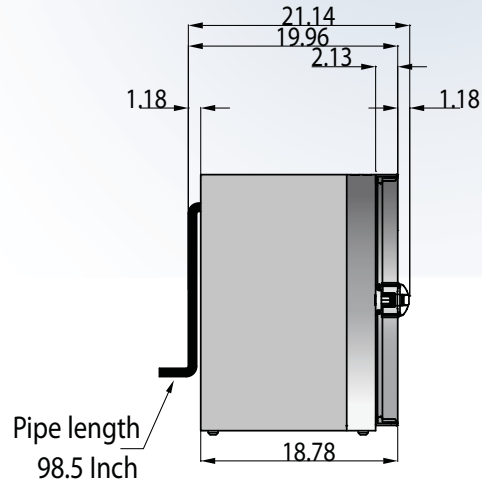
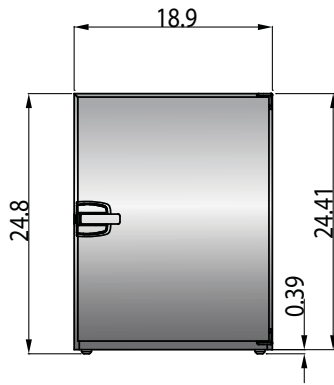
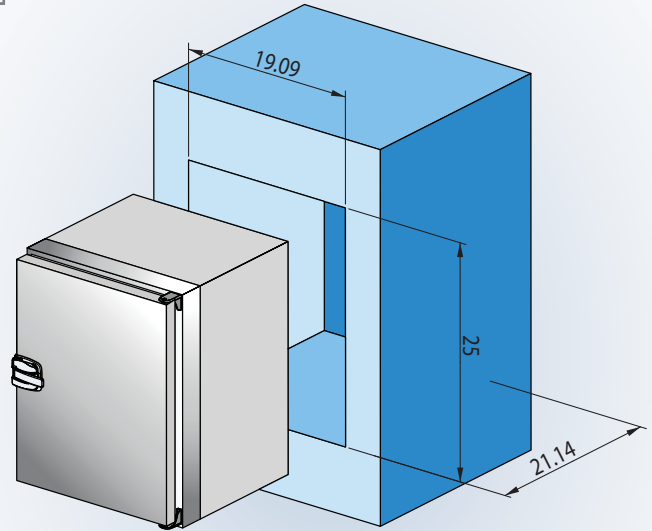
Mod. FR60RC

| Series | Dimension |       |       | model  | Type    | Capacity | Insulation | Evaporator | Compressor |
|--------|-----------|-------|-------|--------|---------|----------|------------|------------|------------|
|        | L         | P     | H     |        |         |          |            |            |            |
| 60     | 18.9      | 21.14 | 19.69 | FR60RC | fridge  | 15.85    | 1.77       | integrated | External   |
|        |           |       |       | C60C   | freezer | 11.89    | 2.36       | integrated | External   |

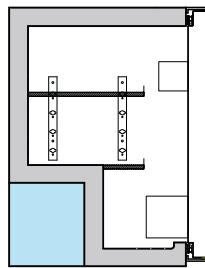


STANDARD 80

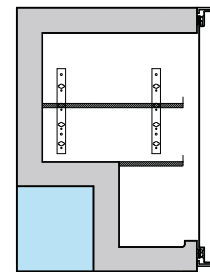
The Standard 80 has compact dimensions with ample storage which is well organized thanks to adjustable shelves or sliding drawers and is available as a refrigerator with or without a small freezer compartment and as a dedicated deep freezer.



Mod. FRS80AC



Mod. FRS80RC

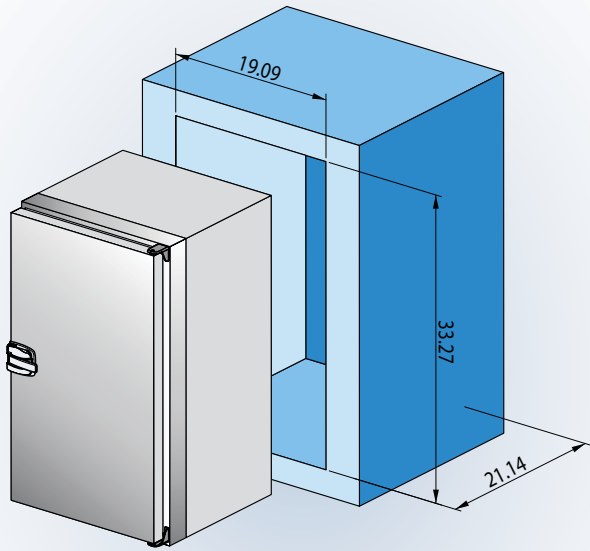


Mod. CS80C

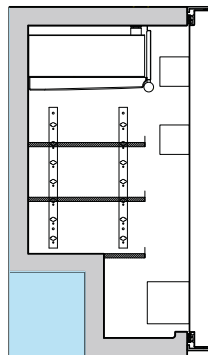
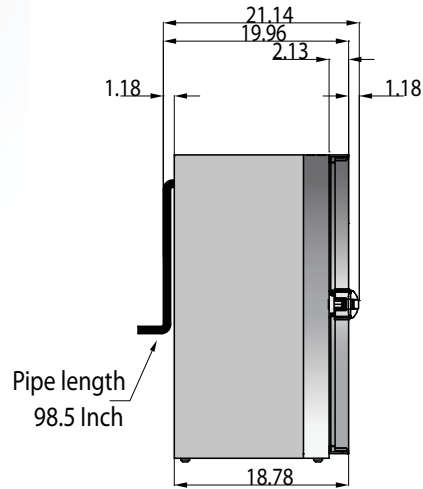
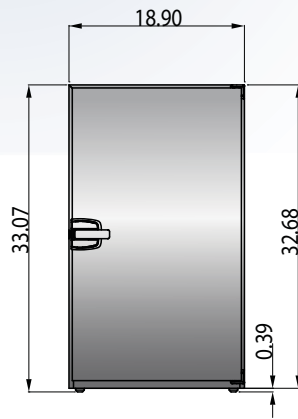
| Series | Dimension |       |      | model   | Type        | Capacity | Insulation | Evaporator | Compressor |
|--------|-----------|-------|------|---------|-------------|----------|------------|------------|------------|
|        | L         | P     | H    |         |             |          |            |            |            |
| 80     | 18.9      | 21.14 | 24.8 | FRS80AC | ice compart | 16.91    | 1.77       | "O" shaped | Internal   |
|        |           |       |      | FRS80RC | fridge      | 16.91    | 1.77       | integrated | Internal   |
|        |           |       |      | CS80C   | freezer     | 11.89    | 2.36       | integrated | Internal   |



STANDARD 115



The Standard 115 is the perfect under-counter refrigerator or freezer featuring adjustable shelves, sliding drawers, and is available as a refrigerator with a small freezer compartment.



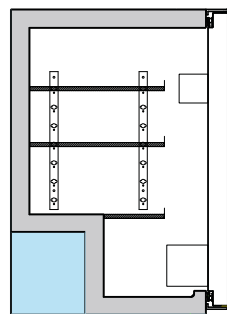
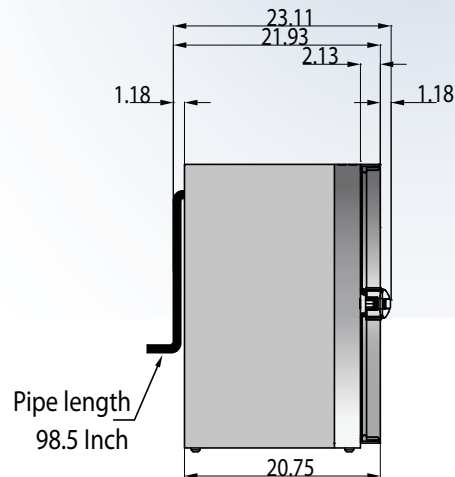
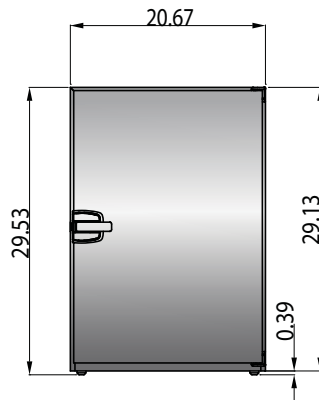
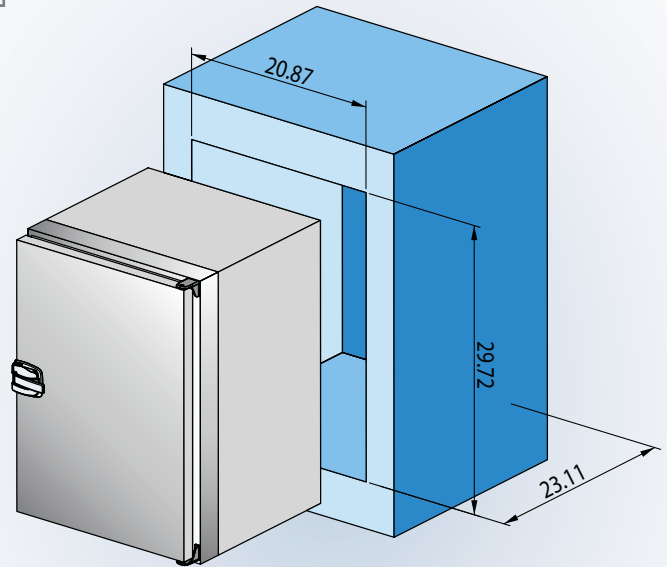
Mod. FRS115AC

| Series | Dimension |       |       | model    | Type        | Capacity | Insulation | Evaporator | Compressor |
|--------|-----------|-------|-------|----------|-------------|----------|------------|------------|------------|
|        | L         | P     | H     |          |             |          |            |            |            |
| 115    | 18.9      | 21.14 | 33.07 | FRS115AC | ice compart | 26.42    | 1.77       | "O" shaped | Internal   |

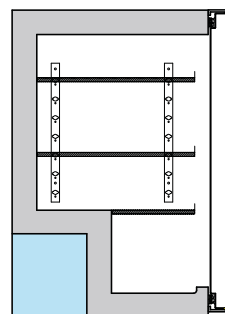


## STANDARD 130

The Standard 130 Series from Frigonautica gives the boat owner maximum storage for an under-counter model, available in both the refrigerator (with-out freezer compartment) and deep freezer. The Standard 130 Series make an excellent side-by-side refrigerator and freezer combination.



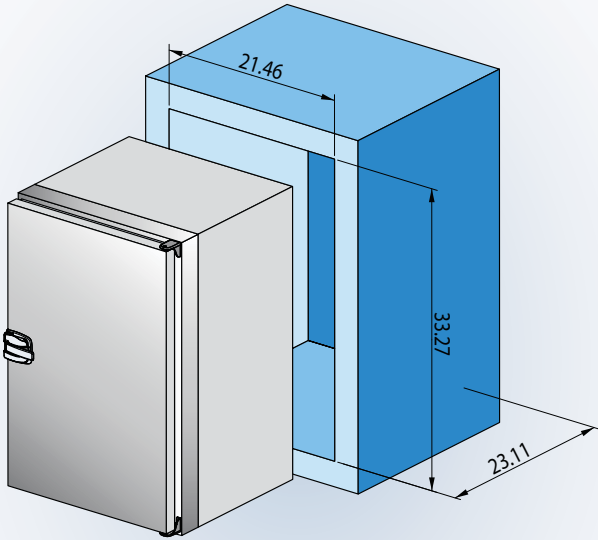
Mod. FRS130RC



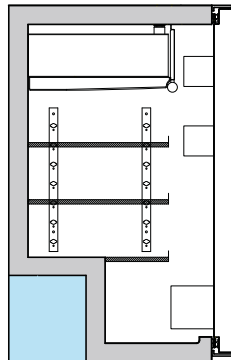
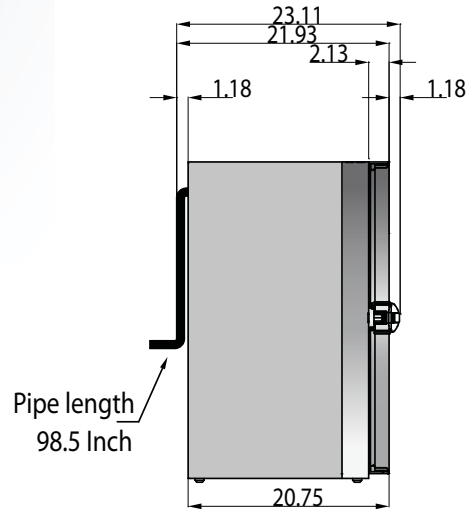
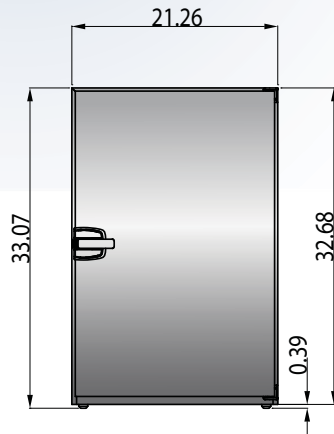
Mod. CS130C

| Series | Dimension |       |       | model    | Type    | Capacity | Insulation | Evaporator | Compressor |
|--------|-----------|-------|-------|----------|---------|----------|------------|------------|------------|
|        | L         | P     | H     |          |         |          |            |            |            |
| 130    | 20.67     | 23.11 | 29.53 | FRS130RC | fridge  | 29.59    | 1.77       | integrated | Internal   |
|        |           |       |       | CS130C   | freezer | 22.19    | 2.36       | integrated | Internal   |

➔
STANDARD 160




The Standard 160 has the greatest capacity of the Frigonautica Standard Series refrigerators and is offered with a cabinet mounted compressor and an integrated freezer compartment.



Mod. FRS160AC

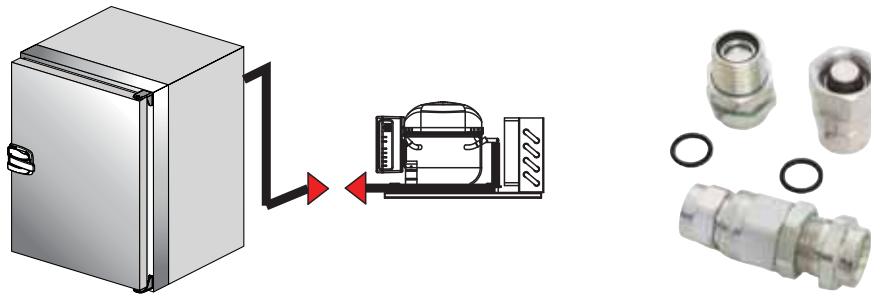
| Series | Dimension |       |       | model    | Type        | Capacity | Insulation | Evaporator | Compressor |
|--------|-----------|-------|-------|----------|-------------|----------|------------|------------|------------|
|        | L         | P     | H     |          |             |          |            |            |            |
| 160    | 21.26     | 23.11 | 33.07 | FRS160AC | ice compart | 37.25    | 1.77       | "O" shaped | Internal   |

|   |
|---|
|  <span style="margin-left: 20px;">STANDARD SERIES</span> |
| <span>Quickly couplings</span>  |
| <span>Thermostat</span>   |
|   |
|   |

Frigonautica has a reputation for delivering highly customized refrigeration systems of all sizes. This heritage of customization is also available with the Standard Series:

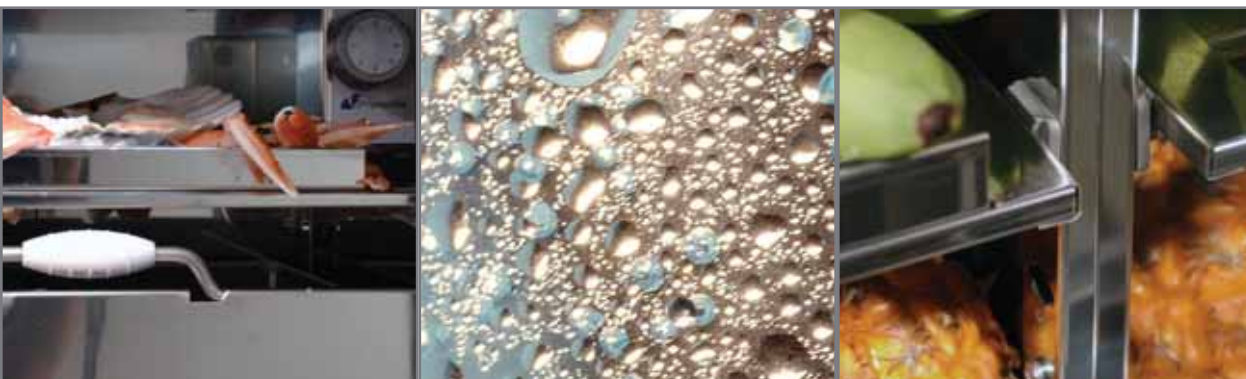
- Quick couplings:

Quick couplings allow the installer to separate cabinet from the compressor for easier installation while avoiding refrigerant gas loss. Quick couplings are very useful during installation as it frees the installer from requiring a skilled technician to install the unit.



- Digital remote thermostat

In order to keep the internal temperature under control and have real time indications of fridge functionality, Frigonautica offers this optional digital control.





All models are equipped with a stainless steel door which can be covered with a front panel by using the optional panel kit.

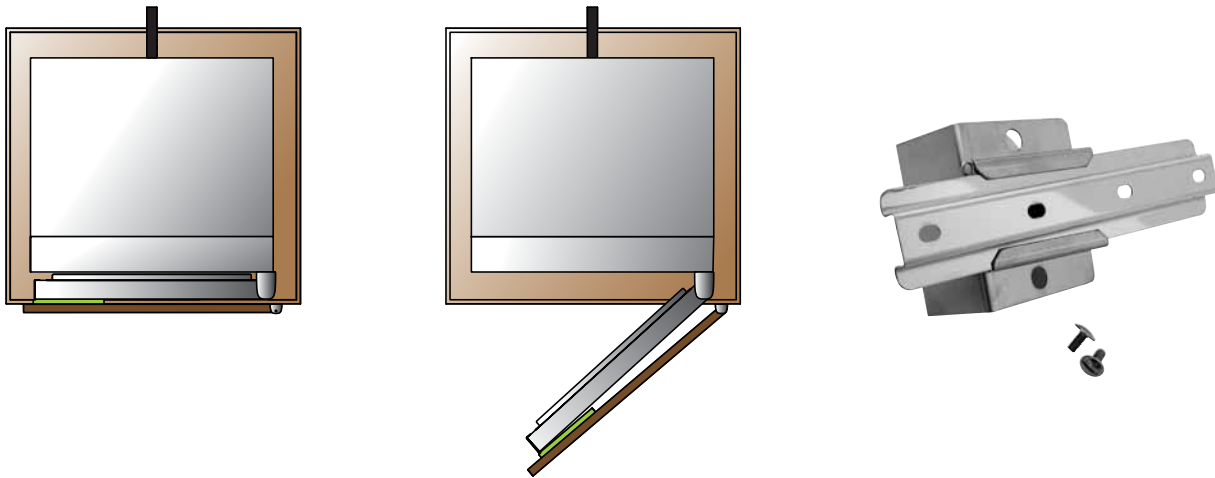




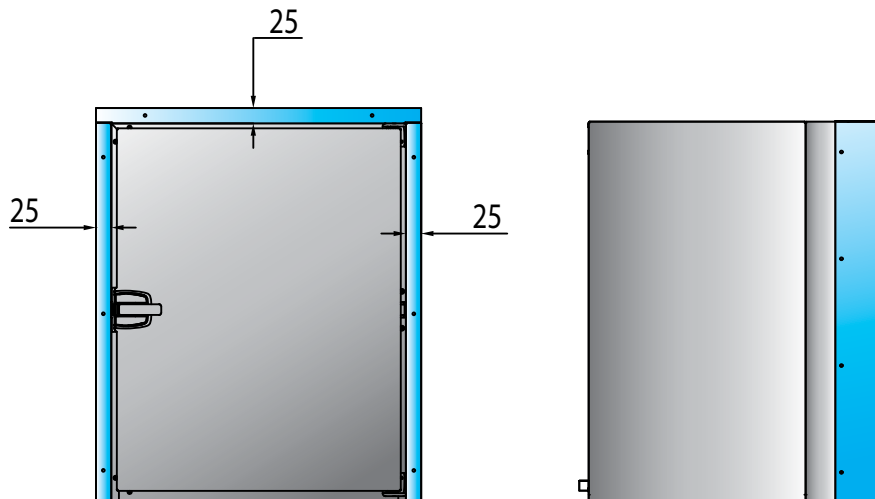
|                 |                 |
|-----------------|-----------------|
| →               | O P T I O N A L |
|                 |                 |
| D o o r         |                 |
| F i x i n g     |                 |
| B u i l d - i n |                 |
|                 |                 |

There are also several options for frontal finishing and fixing:

- Door panel kit comes with a plastic frame and a white or wood color panel. The panel that comes with the kit can be replaced with your custom veneer panel of 4 mm (1/8 inch) thickness or less.
- External door attachment kit comes with a sliding mechanism which replaces the handle on the fridge. This allows installation where the fridge is behind the furniture cabinet's door.



- Stainless steel flange to easily fix the refrigerator into the furniture enclosure.

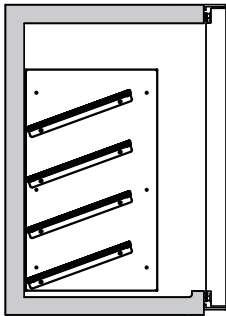




|                |          |
|----------------|----------|
| →              | OPTIONAL |
| Internal space |          |
| Drawers        |          |
| Shelves        |          |
|                |          |

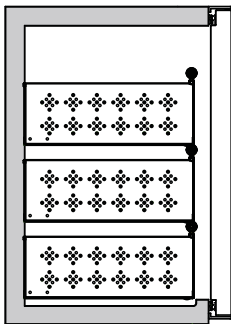
There are several options available for organizing the internal space:

- Fixed inclined shelves made especially for storing wine and champagne bottles (picture at left)

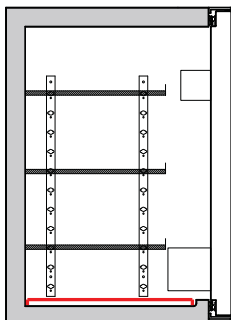


- Series 160: mod. FR160RC: 5 shelves 4 bottles each
- Series 130: mod. FR130RC: 4 shelves 4 bottles each
- Series 115: mod. FR115RC: 5 shelves 4 bottles each
- Series 80: mod. FR80RC: 3 shelves 4 bottles each
- Series 60: mod. FR60RC: 2 shelves 4 bottles each

Slide-in drawers with a locking mechanism



Stainless steel plate for the bottom





|   |                    |
|---|--------------------|
| → | CUSTOM SERIES      |
|   |                    |
|   | Exclusive design   |
|   | Craft work quality |
|   | Uniqueness         |
|   |                    |

The Custom series represents the highest level of Frigonautica's manufacturing which has always aimed at personalizing the elite yachting production segment.

Frigonautica builds each single Custom product by optimizing the dimension or shape requirements. By using different finishing typologies, these Custom products are ideal for designers who wish to create elegant settings replete with custom refrigeration.

Every refrigerator is designed and made according to the customer's specifications. The ship owner, designer, or shipyard can participate in finding unlimited technical solutions with the Frigonautica team of designers and engineers.

The building specifications described here represent possible solutions from the moment that an original and exclusive project is commissioned. Each refrigerator and every single component is carefully crafted through a sophisticated working process with designers and engineers to result in an attractive, pleasing project specific to the desires of the customer.

With Frigonautica, every custom project is unique!





|                |                        |
|----------------|------------------------|
| →              | COMMON CHARACTERISTICS |
|                |                        |
| Structure      |                        |
| Materials      |                        |
| Internal space |                        |
|                |                        |

With over 30 years of manufacturing experience driven by a rigorous quality improvement process, Frigonautica has identified the best technical and material content for building Custom projects.

The highest grade of marine plywood is used for the supporting cabinetry and furniture design. The furniture structure is designed to guarantee superior protection from UV rays and moisture in the marine environment. All internal surfaces for the refrigerators or freezers are done in polished 304ba stainless steel for elegant appearance, functionality, and durability.

To allow the refrigerated areas to remain well insulated and prevent condensation on the woodwork, PVC sections and other insulating designs are incorporated around the door perimeters.

The bottom of each compartment is designed to allow any condensation to drain from the fridge with easy connection to a drain line.

The insulation used is a high density, closed-cell, foamed polyurethane, which is CFC-free with superior thickness for refrigeration and freezer applications.

The inside space for each custom project offers various solutions for food and beverage storage with options such as adjustable shelves, sliding draws, and cylinders or inclined shelves for bottles, etc.





 Frigonautica

*Il freddo a misura di mare*





|   |                             |
|---|-----------------------------|
| → | S H A P E   A N D   S I Z E |
|   |                             |
|   | S p a c e                   |
|   | V o l u m e                 |
|   | T e m p e r a t u r e       |
|   |                             |

With over thirty years experience of working with the world's leading shipyards on thousands of projects encompassing multiple shapes and sizes, Frigonautica has created a portfolio of elegant and highly functional refrigerators and freezers for demanding designers and yacht owners.

The range of Frigonautica designs go from the smallest custom projects for adding refrigeration to unique spaces to the largest galley systems on super yachts. These projects encompass the most diverse shapes: straight, angled, and curved with front or top loading.

According to the customer's requirements, Frigonautica designs and manufactures refrigeration systems, low temperature freezers, specialty compartments for wine and vegetables, freezers with an ice maker inside; and refrigerators with directly removable drawers.

Temperatures are regulated by an internal mechanical or digital thermostat and systems can be designed with capillary tubes, automatic expansion valves, or thermostatic expansion valves for centralized compressor systems.



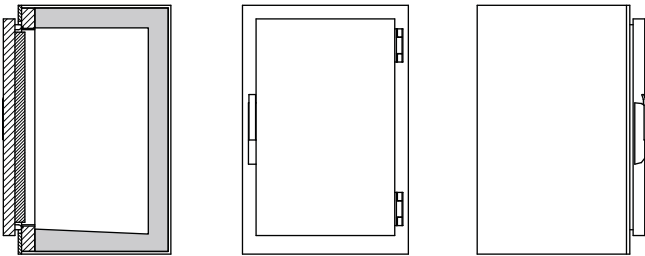


From left:  
door in relief; flush door

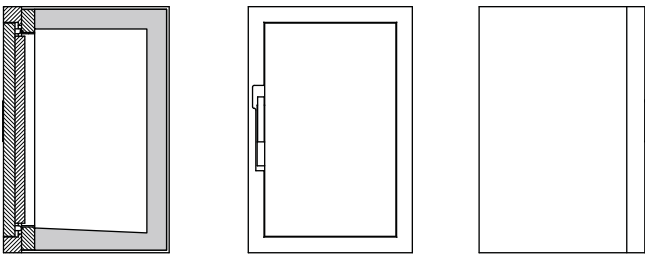


|                   |                  |
|-------------------|------------------|
| →                 | WOODEN FINISHING |
| Proud mount doors |                  |
| Flush door        |                  |
| Closing mechanism |                  |
|                   |                  |

Wood doors can be finished in two different styles: flush mount (door is flush with the cabinet surface) or proud mount (door stands out from the face of the cabinet). When creating a flush mount door, the door and its closing mechanism are placed inside the heartwood which hides the built-in hinges. The frame and door are usually provided unfinished and separate from the furniture, to facilitate the addition of veneers and other finishing such as varnishing done by the shipyard. Since the proud mount doors protrude from the furniture's frame, the hinges and closing mechanism are visible. Again, the door and furniture frame are usually provided unfinished in the highest quality, marine-grade plywood and able to be finished with any combination of veneers, paints or varnishes.



Technical design for the system with proud mount doors



Technical design for the system with flush doors





From left:  
proud mount door; linear door



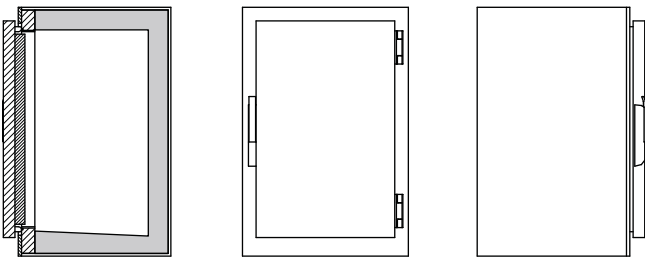
*Il freddo a misura di mare*



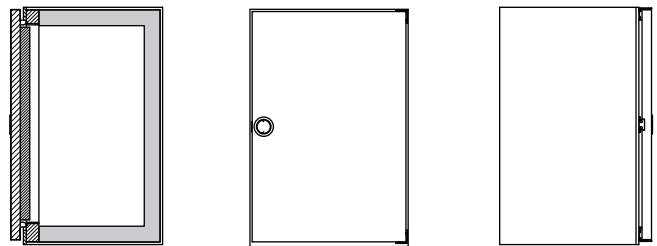
|                                   |                               |
|-----------------------------------|-------------------------------|
| →                                 | S T E E L   F I N I S H I N G |
| P r o u d   m o u n t   d o o r s |                               |
| L i n e a r   d o o r             |                               |
| C l o s i n g   m e c h a n i s m |                               |
|                                   |                               |

Just like the Standard models, the Custom door fronts done in Stainless Steel have an upscale look that needs no additional finishing. Customers often prefer the high quality and durable finish that Stainless Steel provides for the galley, salon, and deck entertainment areas.

The door can be built as a proud-mount door with a visible closing mechanism and hinges or as a flush-mount door with a built-in rounded closing mechanism and hinges on the doors corners. Proud-mount doors can be finished with a glass door or window and are especially suitable for wine cellars. This configuration is made-up by a central shock-resistant glass window and a double glazing filled with an inert gas which improves insulation and eliminates hazing.



Technical design for the system with proud mount doors



Technical design for the system with linear doors



Air-cooled refrigeration systems require optimal ventilation in order to ensure optimal performance.



EV80



EV100

Sea water cooled systems are available with an outboard condenser (Mod. EA80-EA100 with CF30 condenser) or with a sea water pump (Mod. EAF80-EAF100).



EA80 - EA100



EAF80 - EAF100





AIR TIGHT SYSTEMS 12 - 24 V

Compressor 3 cm<sup>3</sup>

Water cooling

Air cooling

SWITCHING POWER SUPPLY



OUTBOARD CONDENSER



CF30

| Model    | input   | output |       | power | dimension (Inch) |       |      | weight |
|----------|---------|--------|-------|-------|------------------|-------|------|--------|
|          |         | 12 Vcc | 24Vcc |       | L                | P     | H    |        |
| RA15-220 | 240 Vac | 14 A   | 7 A   | 168 W | 4.72             | 10.63 | 1.97 | 1      |
| RA15-110 | 110 Vac | 14A    | 7A    | 168 W | 4.72             | 10.63 | 1.97 | 1      |

| Model  | dimension (Inch) |      |      | displacement | speed | consumption | power input | cooling capacity | weight |
|--------|------------------|------|------|--------------|-------|-------------|-------------|------------------|--------|
|        | L                | P    | H    |              |       |             |             |                  |        |
| EV80   | 11.42            | 7.48 | 6.30 | 3.0          | 2500  | 3.85        | 46          | 58               | 250    |
| EV100  | 12.99            | 7.48 | 6.30 | 3.0          | 3500  | 4.53        | 61          | 74               | 250    |
| EA80   | 9.06             | 7.48 | 6.30 | 3.0          | 2500  | 3.85        | 46          | 58               | 198    |
| EA100  | 9.06             | 7.48 | 6.30 | 3.0          | 3500  | 4.53        | 61          | 74               | 198    |
| EAF80  | 11.42            | 8.66 | 6.69 | 3.0          | 2500  | 3.85        | 46          | 58               | 233    |
| EAF100 | 11.42            | 8.66 | 6.69 | 3.0          | 3500  | 4.53        | 61          | 74               | 233    |

Electrical data refers to 12 volt DC system. For a 24 volt DC system the power consumption values are divided by half. The EAF80 – EAF100 models' absorption values do not consider the pump's consumption.

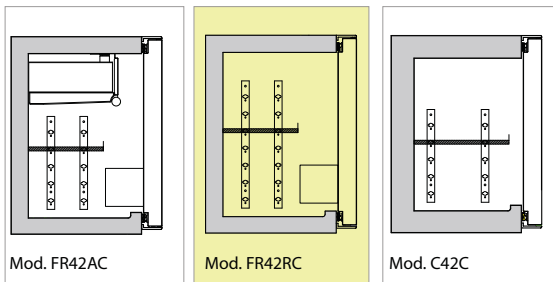


|   |                              |
|---|------------------------------|
|  | COMPLETE FRIGONAUTICA SERIES |
|  | Models available             |
|  | Special request              |

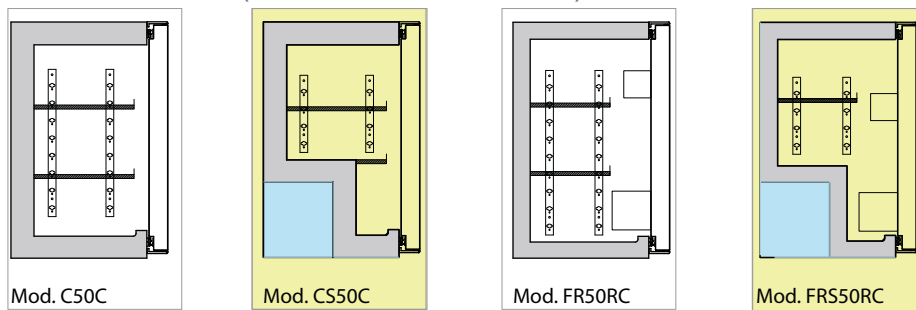
The following images show an easy-reference cross section of models available for each Series of refrigerators and freezers. Models highlighted in yellow are models carried in stock in the USA. Other models are available by special order. Dimensions and Series category are listed above each group.

These cross-section views show the different refrigerator models with remote-mount compressors beginning with the letters “FR” that have internal freezer compartments or no freezer compartment (all refrigerator). Refrigerator models with internal-mount compressors begin with the letters “FRS”. Models that begin with the letter “C” are all-freezer with remote-mount compressors. Freezer models with internal compressors start with the letters “CS”. Freezers are shown with thicker insulation.

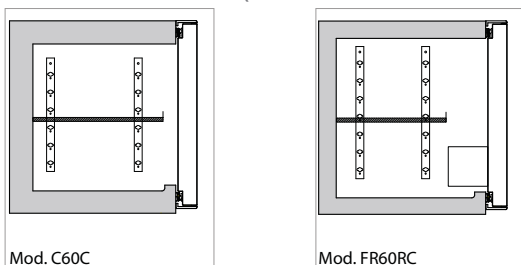
### STANDARD 42 (L15.37 D18.32 H20.88)



### STANDARD 50 (L13.78 D18.32 H24.41)

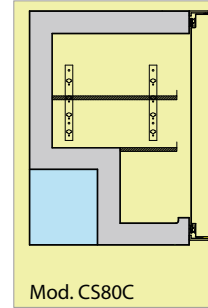
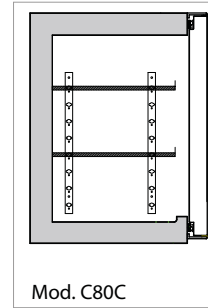
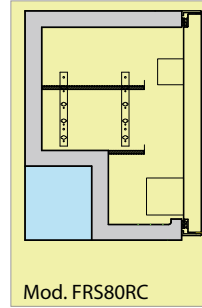
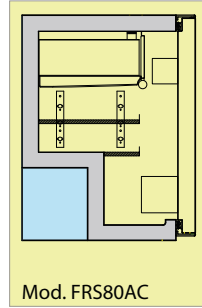
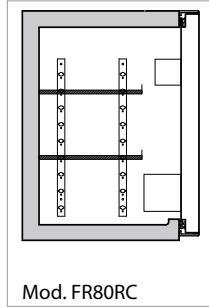
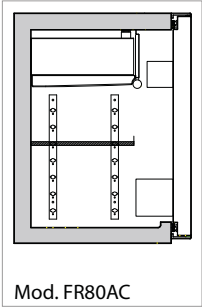


### STANDARD 60 (L18.90 D21.14 H19.69)

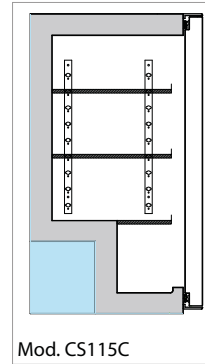
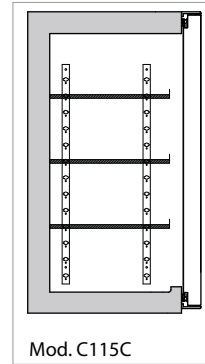
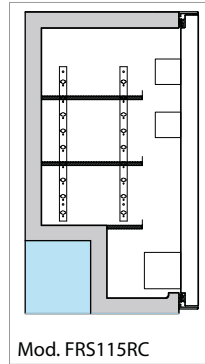
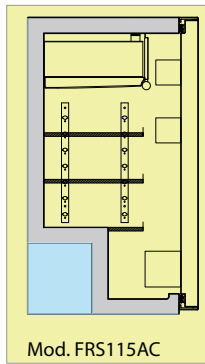
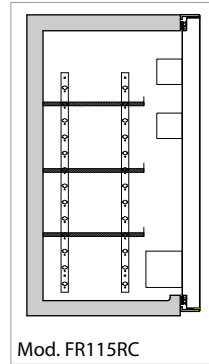
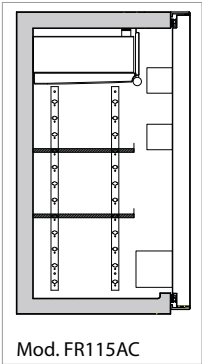




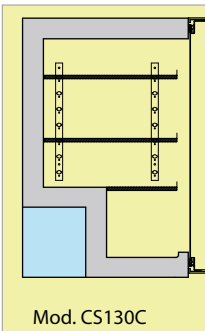
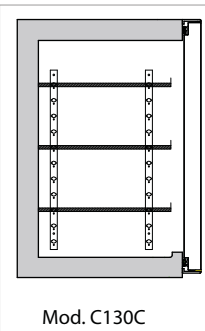
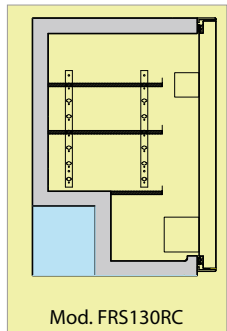
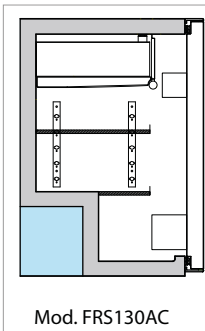
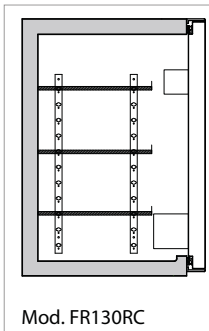
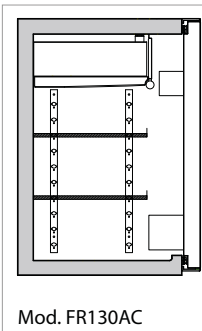
STANDARD 80 (L18.90 D21.14 H24.80)



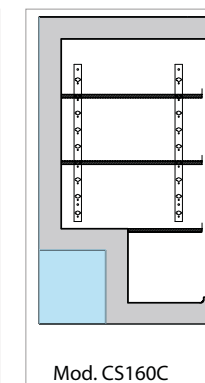
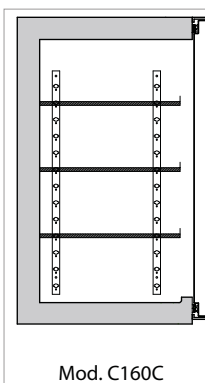
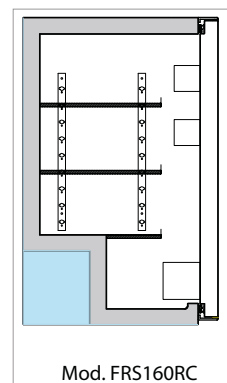
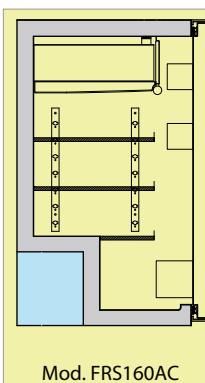
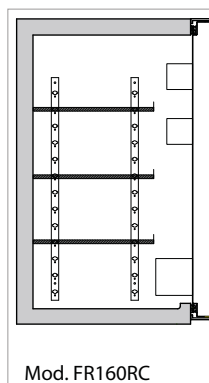
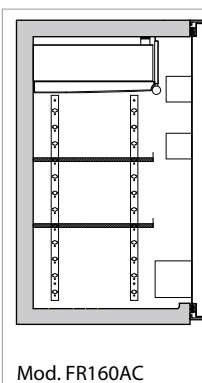
STANDARD 115 (L18.90 D21.14 H33.07)



STANDARD 130 (L20.67 D23.11 H29.53)



STANDARD 160 (L21.26 D23.11 H33.07)





## DRAWERS REFRIGERATORS



Special request

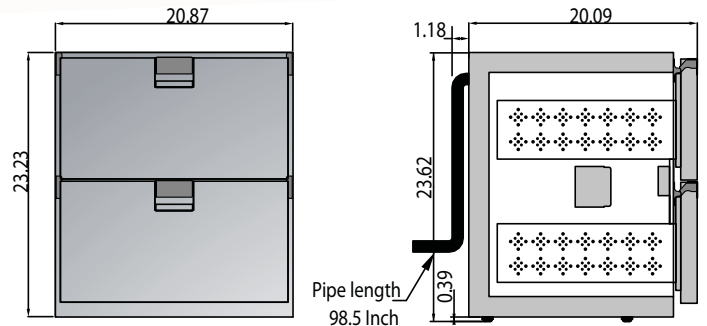
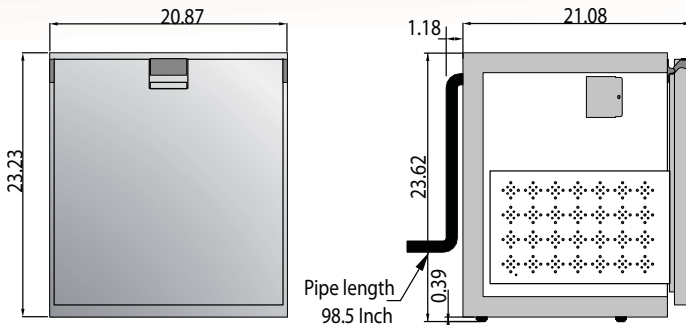


Frigonautica brings the highest levels of refrigeration quality to single and double drawer refrigerators and wine coolers. These new units are available with remote-mount, air-cooled or water-cooled compressor systems. These are new products for 2013 and are available by special order.

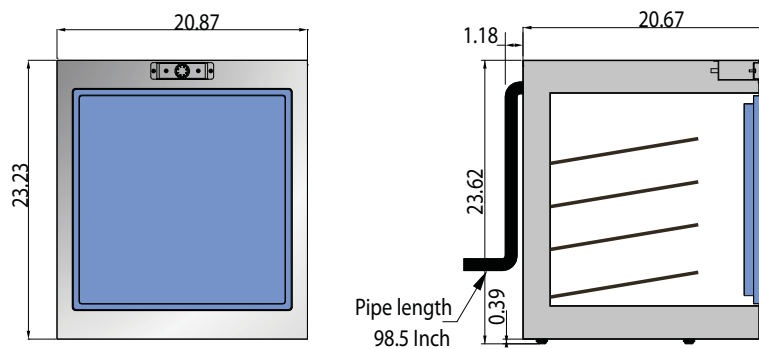


FC1

FC2



FC3





TOP OPENED REFRIGERATORS



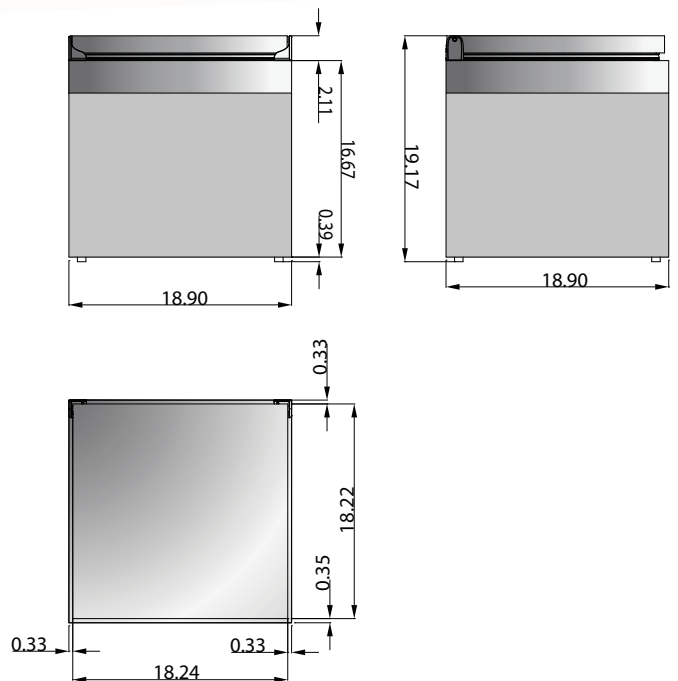
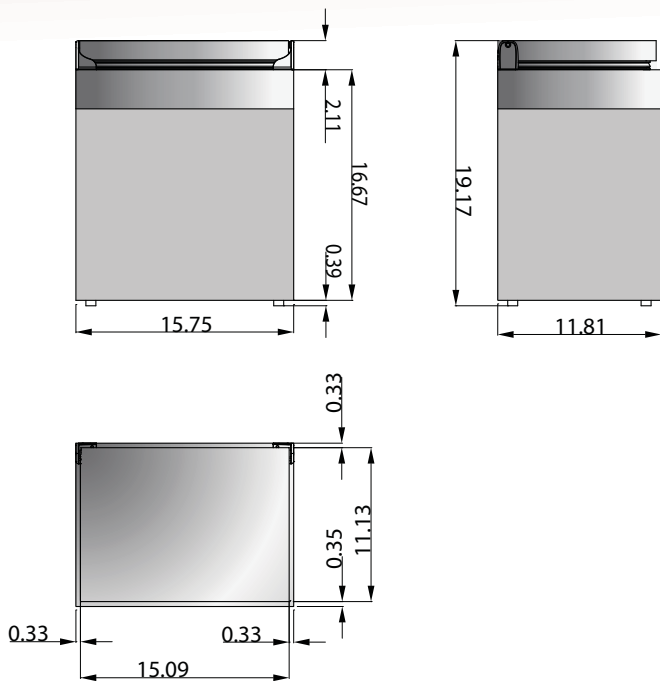
Special request



Top loading boxes are a dependable way of having drink coolers for high volume locations like deck and salon entertainment areas. These top-loading refrigerators are capable of holding tall bottles of wine, champagne, beer and other bar essentials. With the Frigonautica design featuring remote-mount compressors and quick-connect attachments, these refrigerators can be air-cooled or water-cooled for high-temperature environments. These products are available by special order.

STANDARD FRO25C

STANDARD FRO60C



Frigonautica is distributed in the USA by:

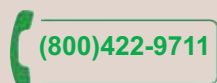
Indel Webasto Marine USA

3400 Gateway Drive, Unit 107

Pompano Beach, FL 33069

954-984-8448

[info@indelwebastomarineusa.com](mailto:info@indelwebastomarineusa.com)



*Il freddo a misura di mare*