

# FURRION

# 12V DUAL USB CHARGER

With Protective Cap

F12SB



**Powersmart™**  
Voltage indicator



The Furrion USB Socket comes complete with black plastic mounting plate for front installation and a screw-type locking ring for rear mount.

Max Amp: USB1: 1A/5V, USB2: 2.1A/5V

Water resistant sealing cap

Made from corrosion resistant materials to ensure solid contact and durability

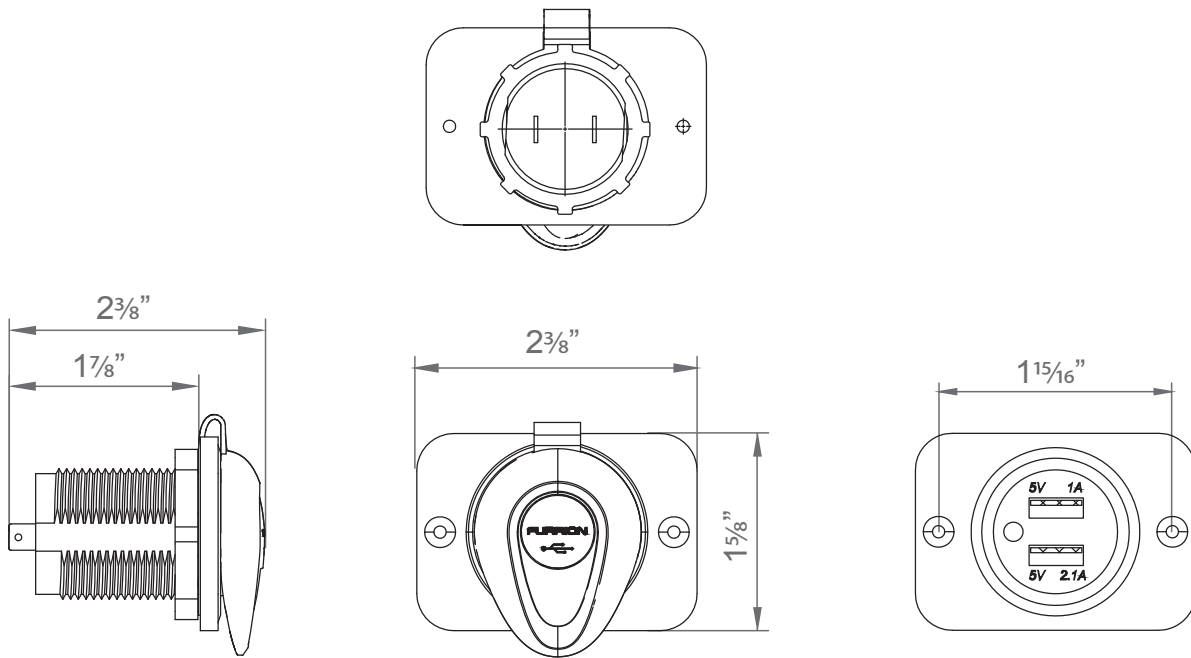
Blue indication light to show when is power present

USB Powersmart LED power indicato

# 12V DUAL USB CHARGER

With Protective Cap

**F12SB**



## Specifications

Body	Engineering Nylon
Cap & Ring	UV Resistant Silicone
Terminal material	Brass + Nickel plating
Water Resistant	IP55
Voltage rating	12V DC
Max Amp.	USB1: 1A/5V, USB2: 2.1A/5V

## Packaging Information

Packaging type	Blister
Quantity per level 1 (pcs)	1
Individual Packaging Dimensions	4 1/4" x 2 5/8" x 6 1/2"
Individual Packaging Gross Weight (lbs)	0.15
Individual Packaging Net Weight (lbs)	0.10

## Master Carton

Packaging type	Master Carton Box
Quantity per box	24
Master Carton Dimensions	16 9/16" x 9 7/8" x 15"
Master Carton Gross Weight (lbs)	6.61
Master Carton Net Weight (lbs)	4.41

