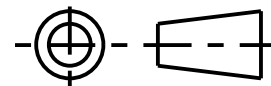


THIRD ANGLE PROJECTION

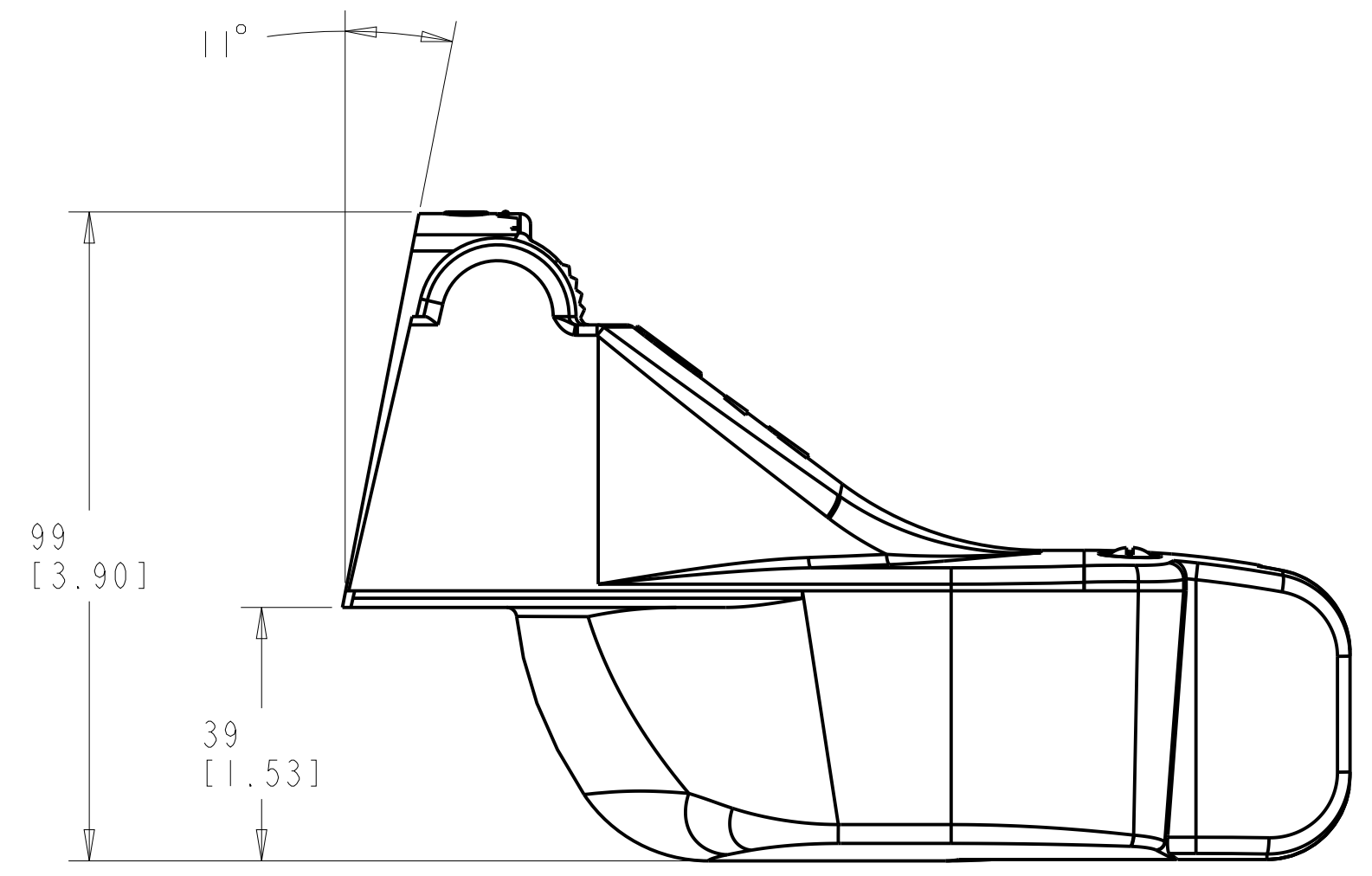
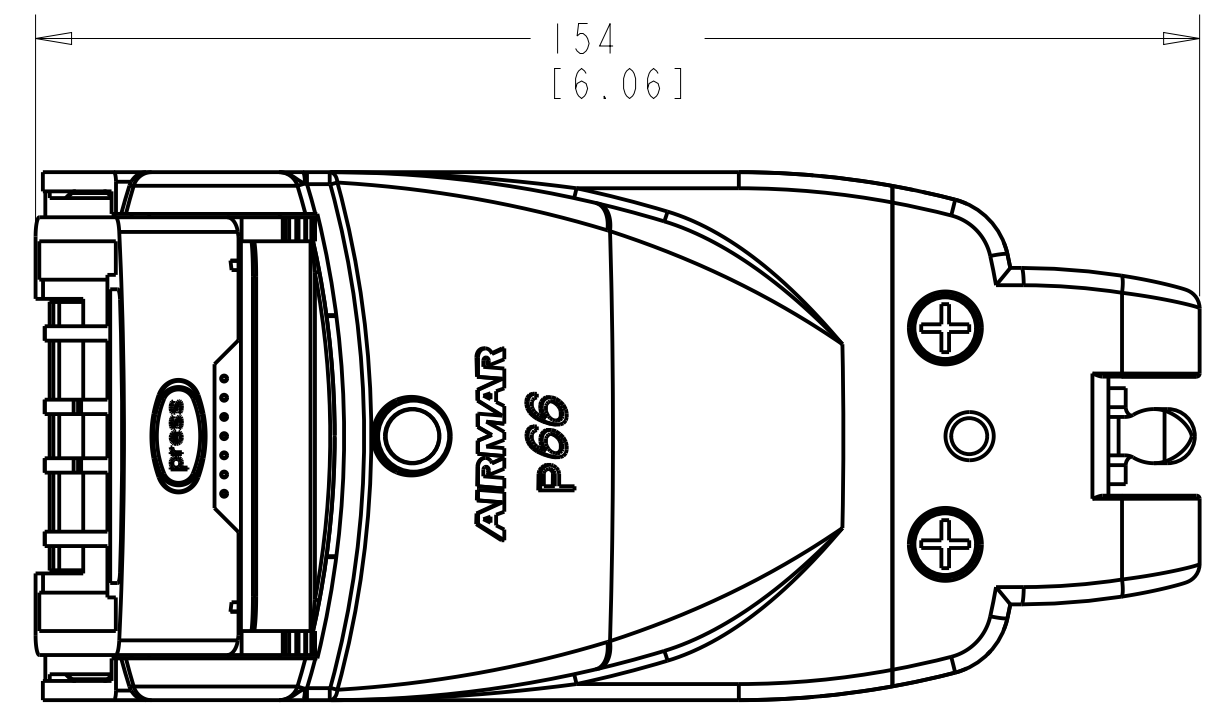
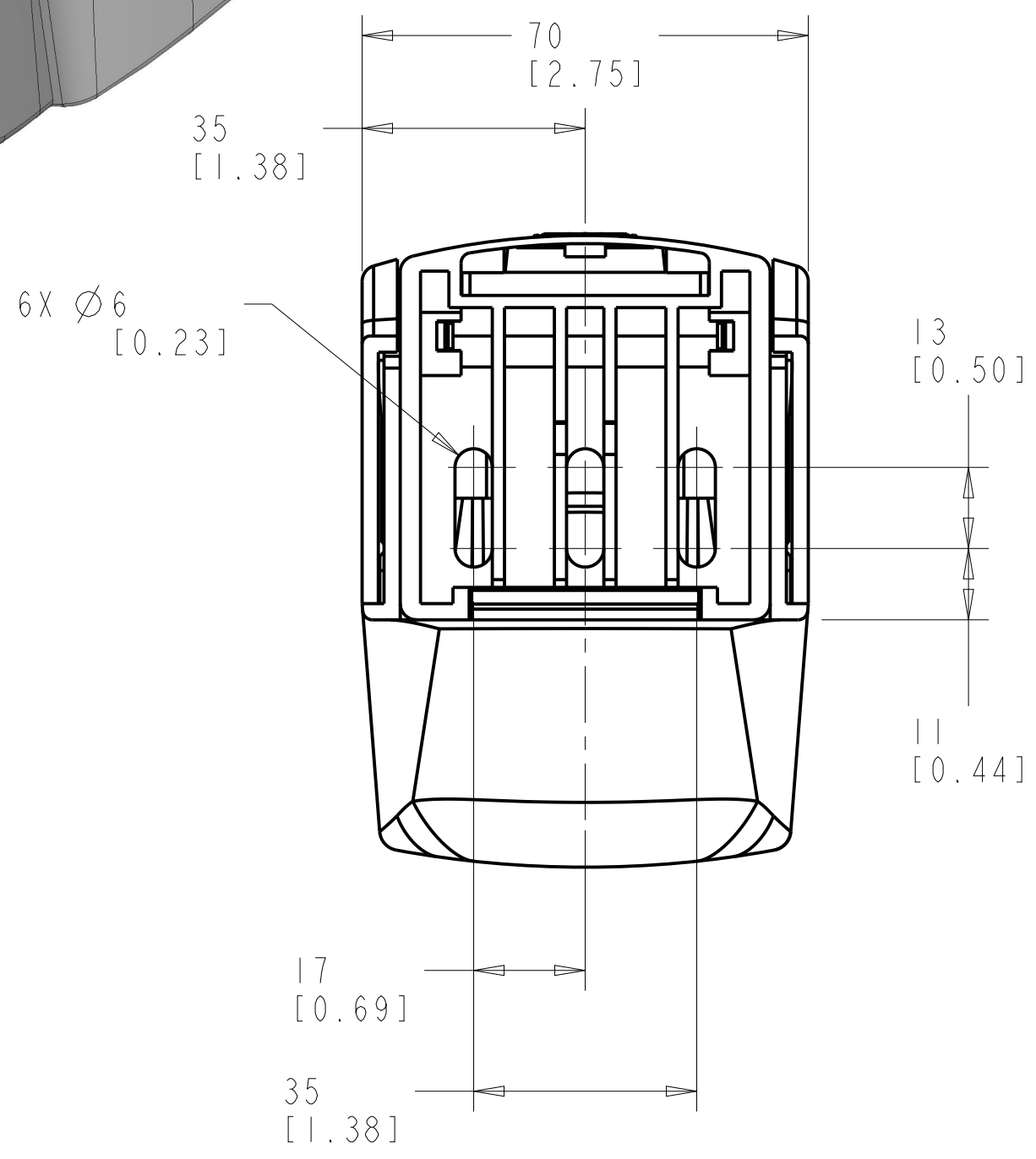
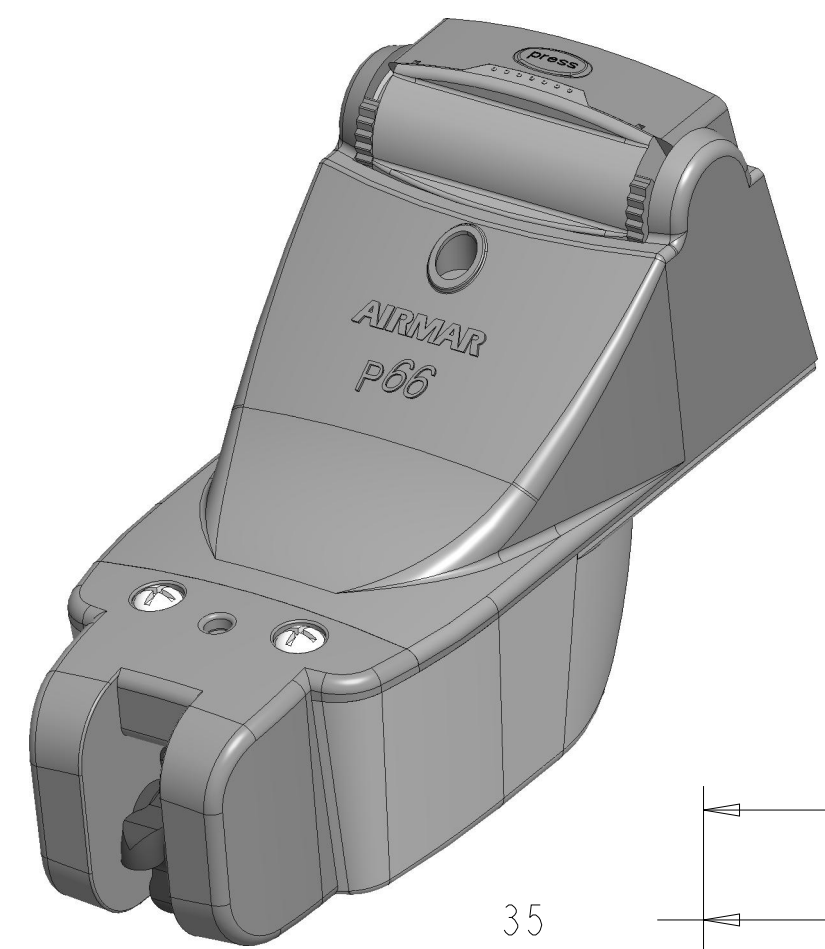


DOCUMENT REVISIONS

REV	DESCRIPTION	CO. NO.	DATE	CHG/CHK
1	INITIAL RELEASE	--	--	--

NOTES:

1. ANGLED WEDGE NOT INCLUDED IN DRAWING



PART NUMBER	N/A	P/N REV	
-------------	-----	---------	--

UNLESS OTHERWISE SPECIFIED	SIGNATURE	DATE
DIMENSIONS ARE IN MM TOLERANCES ON: 0 PL DECIMALS: ±2 1 PL DECIMALS: ±0.5 ANGLES: ±1/2° FRACTIONS: ±1/16	DRAWN: D. SPALDING	05/17/18
	CHECKED: E. BEISWENGER	01/29/20

**AIRMAR**  
 AIRMAR TECHNOLOGY CORPORATION  
 35 MEADOWBROOK DR.  
 MILFORD, NH 03055-4613 USA  
 TEL: 603-673-9570 FAX: 603-673-4624

TITLE  
**P66 OUTLINE DRAWING**

MATERIAL  
 HOUSING: IMPACT RESISTANT PLASTIC

SIZE C	SCALE: FULL SHEET 1 OF 1	DOC NUMBER D-19081	DOC REV 1
-----------	-----------------------------	-----------------------	--------------

THIS DOCUMENT AND THE DATA DISCLOSED HEREIN OR HEREWITH IS NOT TO BE REPRODUCED, USED, OR DISCLOSED IN WHOLE OR IN PART TO ANYONE WITHOUT THE PERMISSION OF AIRMAR.

CRITICAL DIMENSION (REF) DO NOT SCALE DRAWING