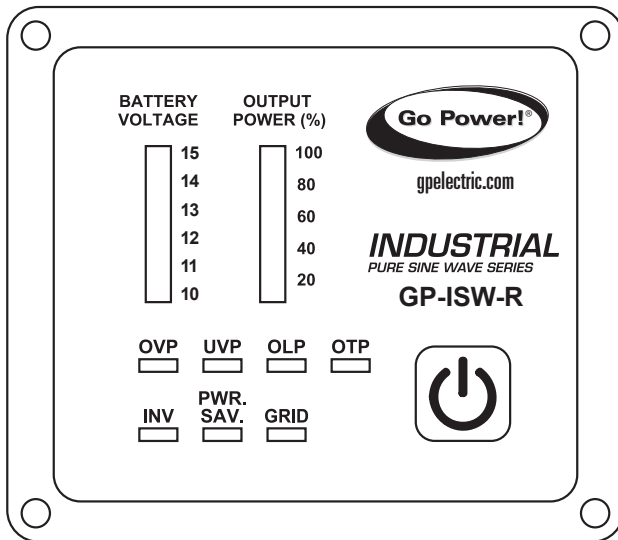


PURE SINE WAVE INVERTER REMOTE GP-ISW-R-12/24

User Manual

GP-ISW-R



© 2016 Go Power!® By Carmanah Technologies

Worldwide Technical Support and Product Information gpelectric.com

Carmanah Technologies Corporate Headquarters
250 Bay St, Victoria, BC Canada V9A 3K5
Tel: 1.866.247.6527

80325_MANUAL_ISW-R_RevA





1.0 TABLE OF CONTENTS

2.	FEATURES.....	2
3.	SPECIFICATION	2
4.	INTRODUCTION	3
4.1	FRONT PANEL INTRODUCTION.....	3
4.2	REAR PANEL INTRODUCTION.....	5

2.0 FEATURES

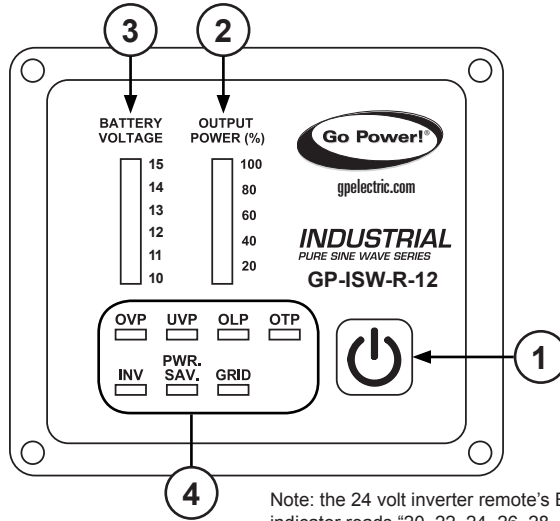
The GP-ISW-R remote allows the switching on and off of any GP-ISW inverter from a remote location. The LED display indicates the following:

- Battery bank voltage display
- Output power display
- Error condition indicator (High Battery, Low Battery, Over Temperature, Over Load conditions)
- Action condition indicator (INV, POWER SAVING, GRID)

3.0 SPECIFICATIONS

Specification Item	GP-ISW-R-12/24
Input Voltage	10.5 ~ 66VDC
Operating Temperature Range	0 ~ 40°C
Storage Temperature Range	-30°C ~ 70°C
Standby Current Draw	< 80mA
Compatible Inverters	GP-ISW700/1000/1500/2000/3000/4000

4.1 FRONT PANEL INTRODUCTION



Note: the 24 volt inverter remote's Battery voltage indicator reads "20, 22, 24, 26, 28, 30."

1	Power ON/OFF button	3	Battery voltage indicator
2	Output power indicator	4	Other indicators

1 POWER ON/OFF BUTTON

Power ON/OFF button turns the inverter on or off.

2 OUTPUT POWER INDICATOR

Output power indicator shows the power draw from the inverter by the load. Ideally, the output power indicator should remain in the green & orange area of the bar chart.

If the output power indicator is up to the red area, the OLP LED will flash and the inverter will shut down.

3 BATTERY VOLTAGE INDICATOR

Battery voltage indicator will move up and down as the battery voltage changes. Ideally, the voltage should remain in the green area of the bar chart.

If the voltage goes into the red area at the top and bottom of the bar chart, the inverter may shut down.

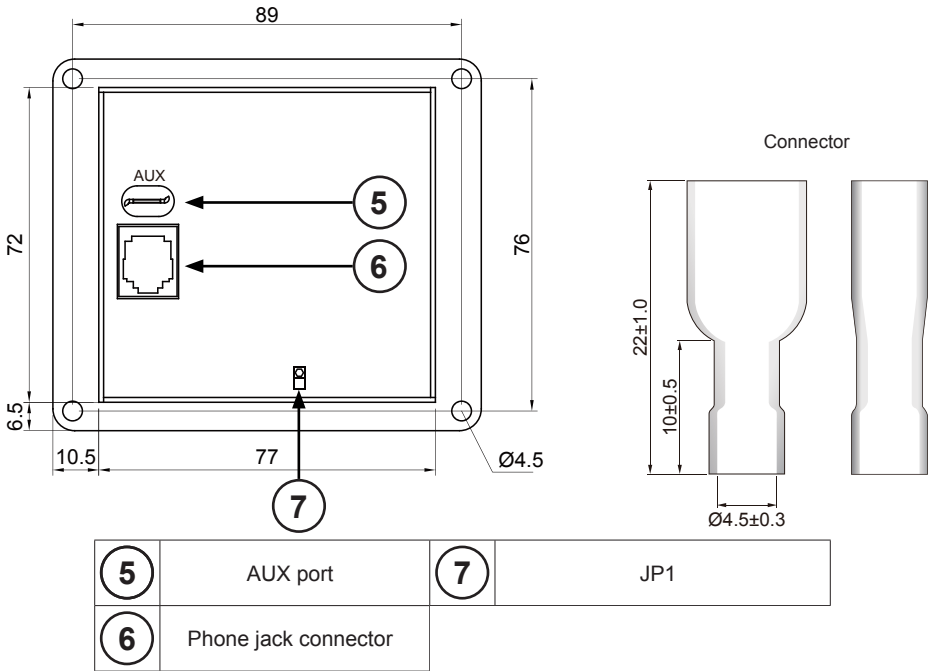
4 OTHER INDICATORS

- **OVP (Over voltage protection):**
Indicates that the inverter will shut down because its input voltage is above the voltage limit.
- **UVP (Under voltage protection):**
Indicates that inverter will shut down because its input voltage is below the voltage minimum.
- **OLP (Overload protection indicator):**
Indicates the inverter will shut down due to a short circuit or overload protection.
- **OTP (Over temperature protection indicator):**
Indicates the inverter will shut down due to over temperature protection. Once the inverter cools down, the indicator will turn off automatically.
- **INV indicator:**
Indicates the inverter is ready.
- **PWR. SAV. indicator:**
Power saving functions are described below:

LED	Meaning	Inverter Output
Solid	Ready	ON
Flashing	Active	OFF
Off	Inactive	

- **GRID indicator:**
Indicates the AC Grid is connected to the inverter (only functional when connecting inverter series with Transfer Relay).

4.2 REAR PANEL INTRODUCTION



5 AUX PORT

Note: the AUX port is only used in work trucks.

The connector (shown above) attached to AUX wire (AWG 14 or 16) must be connected with a 12V / 0.5A fuse.

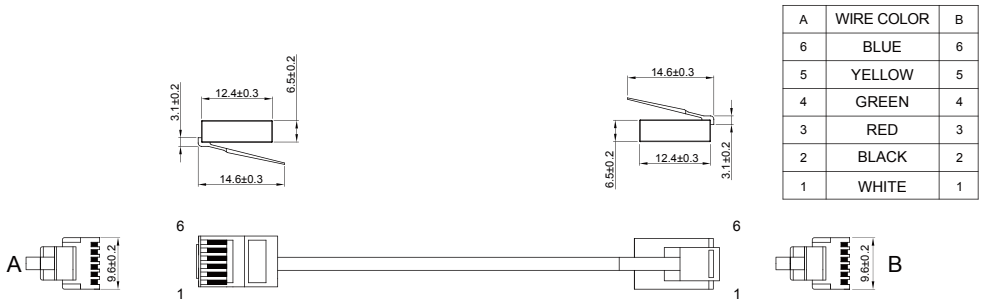
- Ignition Lockout function:
Turns OFF the inverter when the auxiliary input wiring is connected to the ACC with 12 volts.
- Return Override function:
Turns ON the inverter when the auxiliary input wiring is connected to the reversed gear shift with 12 volts.

6 PHONE JACK CONNECTOR

1. Before connecting, make sure to switch the inverter to REMOTE mode.



2. Connect the RJ-11 cable between the ISW-R remote and the inverter.



WARNING!

DO NOT use a standard telephone cable.

7 JP1

The JP1 is to set either the Return Override function or the Ignition Lockout function.

- JP1 jumper “Short” - Return Override function:
Turns ON the inverter when the auxiliary input wiring is connected to the reversed gear shift with 12 volts.
- JP1 jumper “Open” - Ignition Lockout function:
Turns OFF the inverter when the auxiliary input wiring is connected to the ACC with 12 volts.
- The connector which is connected to AUX power must be used with a 12V / 0.5A fuse.

Triggered signal	JP1	Inverter Status
AUX		
1	Open	OFF
0	Open	ON
1	Short	ON
0	Short	OFF

Note: default mode is Open.

© 2016 Go Power!® By Carmanah Technologies

Worldwide Technical Support and Product Information gpelectric.com

Carmanah Technologies Corporate Headquarters
250 Bay St, Victoria, BC Canada V9A 3K5
Tel: 1.866.247.6527



80325_MANUAL_ISW-R_RevA