



# SOLAR FLEX



SOLAR FLEX™ KITS FEATURE A NEW SOLAR MODULE THAT IS AERODYNAMIC AND DURABLE – A VERSATILE SOLAR BATTERY CHARGER THAT CAN AVOID COSTLY CUSTOM MOUNTS



GP-FLEX-500

GP-FLEX-200

Go Power! Solar Flex™ kits use flexible, high-efficiency back-contact solar modules that conform to almost any surface. These kits use high-efficiency, marine-grade solar modules - a versatile battery charging solution that:

- avoids custom mounts (100 and 50 watt modules curve up to 30 degrees)
- can be affixed with adhesive or screws
- provides a durable surface (modules are less than 1/8" / 3mm thick)
- is ideal for lightweight RVs (modules are 82% lighter)

GP-FLEX-500 / 200 / 100 kits include high-efficiency monocrystalline solar panel(s) (500/200/100 watts), **GP-PWM-30 solar controller with Bluetooth® Wireless Technology**, MC4 connectors and mounting hardware. To learn more about the PWM-30-UL's capabilities, visit [gpelectric.com/bluetooth](http://gpelectric.com/bluetooth)

GP-FLEX-35 kit includes 1x high-efficiency monocrystalline solar panel (35 watts), flush-mounted GP-PWM-10 (10 amp) solar controller, MC4 connectors and mounting hardware.

GP-FLEX-55 kit includes 1x high-efficiency monocrystalline solar panel (55 watts), flush-mounted GP-PWM-10 (10 amp) solar controller, MC4 connectors and mounting hardware.

GP-FLEX-55E expansion kit includes 1x high-efficiency monocrystalline solar panel (55 watts), MC4 branch connectors and cable.

GP-FLEX-100E expansion kit includes 1x high-efficiency monocrystalline solar panel (100 watts), MC4 branch connectors and cable.

REPRESENTED IN YOUR REGION BY:



GP-FLEX-100

GP-FLEX-55

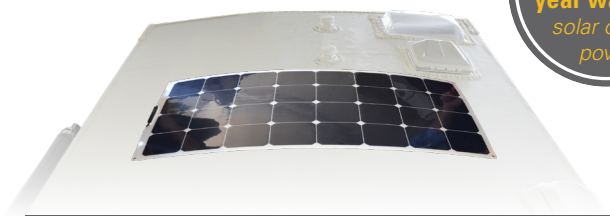
GP-FLEX-35



GP-FLEX-50E

GP-FLEX-100E

MC4 branch connectors



30° max. recommended bend



## Solar Panel

SPECIFICATIONS	GP-FLEX-500/200 (5/2 X FLEX-100)	GP-FLEX-100	GP-FLEX-55	GP-FLEX-35	GP-FLEX-100E	GP-FLEX-55E
Cell type	Monocrystalline	Monocrystalline	Monocrystalline	Monocrystalline	Monocrystalline	Monocrystalline
Rated Power (Pm)	500W / 200 W	100 W	55 W	35 W	100 W	55 W
Maximum Power Voltage (Vmp)	17.5V	17.5V	17.5V	17.5V	17.5V	17.5V
Maximum Power Current (Imp)	28.4A/11.36A	5.68A	2.88A	1.70A	5.68A	2.88A
Open Circuit Voltage (Voc)	21.0V	21.0V	19.0V	21.0V	21.0V	19.0V
Short Circuit Current (Isc)	31.4A/12.56A	6.28A	3.04A	1.88A	6.28A	3.04A
Max System Voltage	600VDC	600VDC	600VDC	600VDC	600VDC	600VDC
Weight	14.5lbs (6.6 kg) / 5.82 lbs (1.7 kg)	2.9 lbs (1.35 kg)	1.6 lbs (0.72 kg)	1.1 lb (0.49 kg)	2.9 lbs (1.35 kg)	1.6 lbs (0.72 kg)
Dimensions	44.6 x 21.4 x 0.1 in (1134 x 544 x 3 mm)	44.6 x 21.4 x 0.1 in (1134 x 544 x 3 mm)	42.1 x 11.3 x 0.1 in (1070 x 286 x 3 mm)	24.4 x 14.96 x 0.1 in (620 x 380 x 3mm)	44.6 x 21.4 x 0.1 in (1134 x 544 x 3 mm)	42.1 x 11.3 x 0.1 in (1070 x 286 x 3 mm)

## Digital Solar Controller

SPECIFICATIONS*	GP-PWM-30-UL	GP-PWM-10-FM
Nominal System Voltage	12V	12V
Max Solar Array Current	30A	10A
Battery Voltage Range	6V – 15.5V	6V – 15.5V
Max. Solar panel input voltage	28V	28V
Operating Consumption	6mA	6mA
Display Consumption	10mA	10mA
Temp. Compensation	- 24mV/°C / -13mV/°F	- 24mV/°C / -13mV/°F
Operating Temperature	- 40 to 85°C / - 40 to 185°F	- 40 to 85° C / - 40 to 185° F
Humidity	99% N.C.	99% N.C.
Dimensions (H x W x D):	108 x 190 x 35 mm; 4.25 x 7.48 x 1.38 in	100 x 102 x 29 mm; 3.94 x 4.02 x 1.14 in
Weight	300 g; 10.6 oz	178 grams; 6.3 oz
Maximum Wire Gauge:	#4 AWG	#4 AWG
Bluetooth® Compatible	YES	NO
Warranty	5 years	5 years
Protection	Battery Reverse Polarity, Solar Array Reverse Polarity, Over temperature, Over Current	

### OPTIONAL CABLE ENTRY PLATE

Use our Cable Entry Plate with a Go Power! Solar Kit to run your wire where you want and reduce exposed cables on the roof.

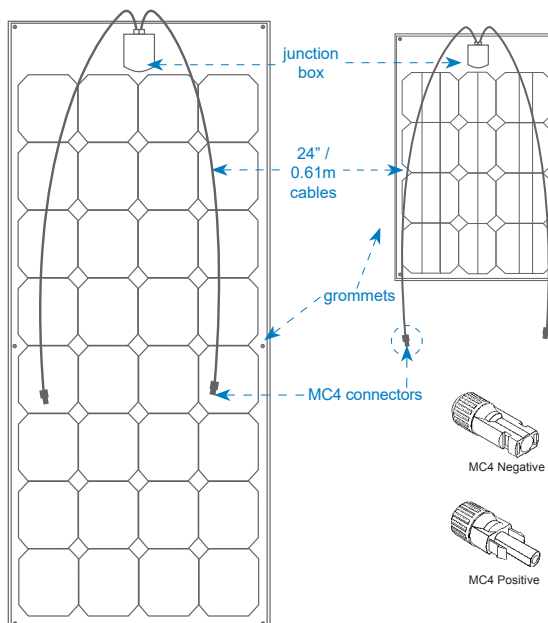
- ➔ Built for easy expansion
- ➔ Cuts installation time
- ➔ Protects cable connections
- ➔ Clean and tidy wire configuration
- ➔ Eliminates possibility of leaks
- ➔ Connects with industry standard MC4 cables (included in Go Power! kits)
- ➔ 5 year warranty



GP-CEP

Front Profile 100/50 watt

Front Profile 30 watt



Specifications are subject to change.