

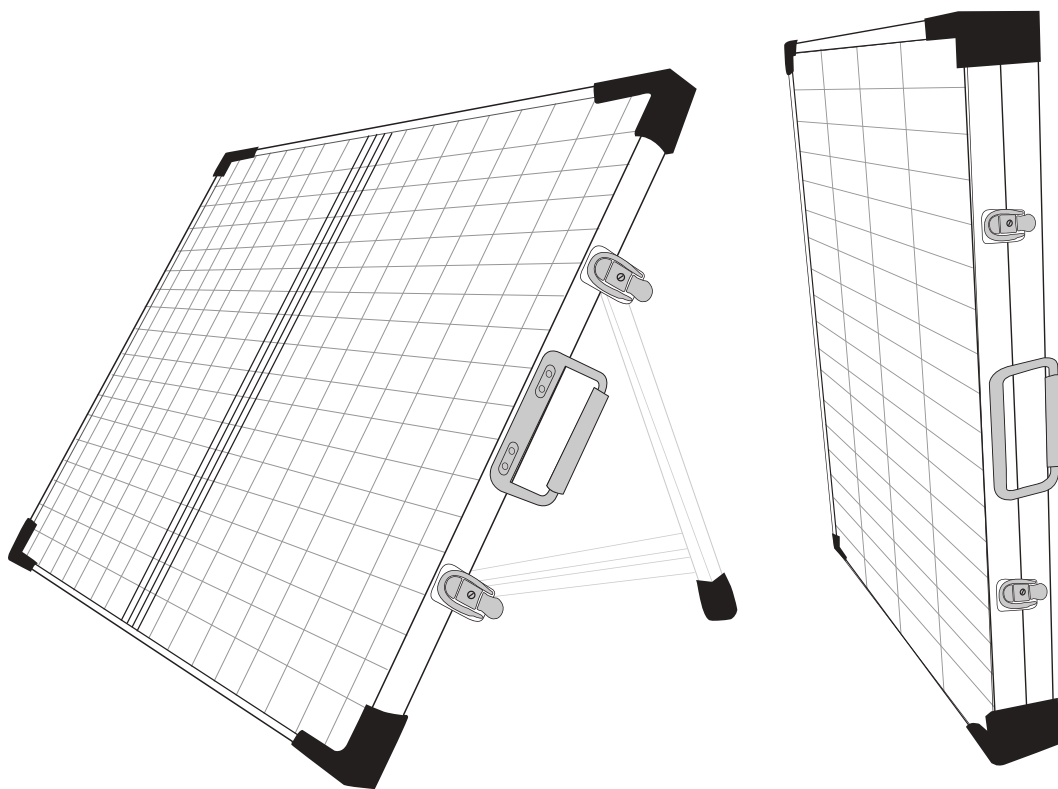
PORTABLE SOLAR KITS

User Manual

GP-PSK-90

GP-PSK-130

GP-PSK-200



© 2018 Go Power!®

Worldwide Technical Support and Product Information gpelectric.com

Go Power! Headquarters
#201-710 Redbrick St, Victoria, BC Canada V8T 5J3
Tel: 1.866.247.6527

73807_MANUAL_GP-PSK_Rev1





2. GENERAL INFORMATION	4
2.1 WARNINGS	4
3. FEATURES AND ACCESSORIES	5
3.1 ADDITIONAL ACCESSORIES SOLD SEPARATELY	5
4. INSTALLATION	6
5. SPECIFICATIONS	6
6. FREQUENTLY ASKED QUESTIONS	7
7. LIMITED WARRANTY	8



2. GENERAL INFORMATION






Welcome to the Go Power! Portable Solar Kit Installation Guide. Please read all instructions contained within this manual to gain a full understanding of how to install and use this product. Please visit gpelectric.com for the most current version of this manual.

Visit our Go Power! By Carmanah YouTube channel to watch a two minute video on setting up a portable solar kit.

Veillez visiter gpelectric.com pour la version française de ce manuel de l'utilisateur

Visite gpelectric.com para la versión en español de este manual del usuario

2.1 WARNINGS

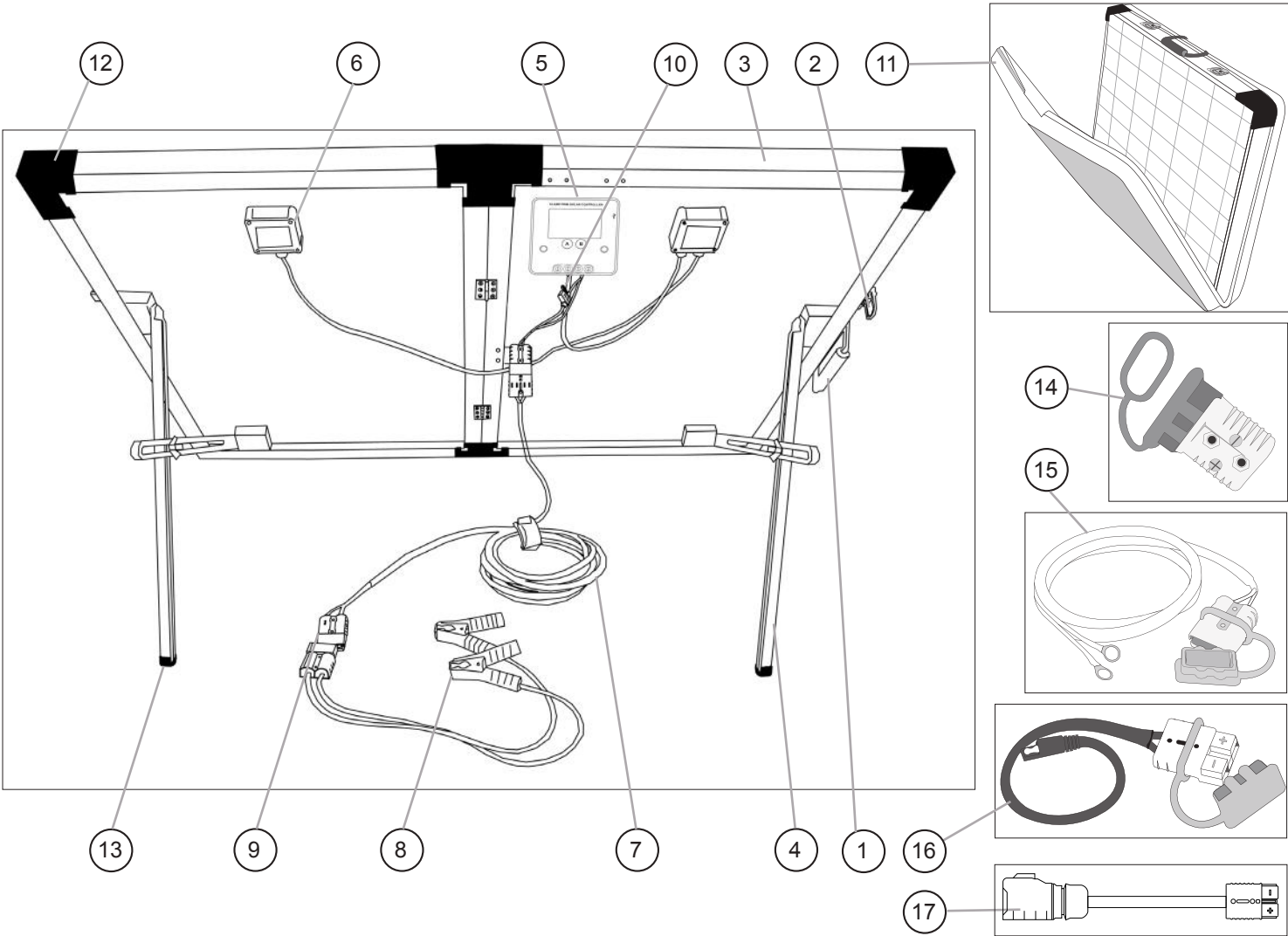
	Disconnect all power sources	Electricity can be very dangerous. Take appropriate caution when making connections.
	Battery and wiring safety	Observe all safety precautions of the battery manufacturer when handling or working around batteries. When charging, batteries produce hydrogen gas, which is highly explosive. Ensure batteries are in a well-ventilated space, away from sparks for open flames.
	Wiring connections	Ensure all connections are tight and secure. Loose connections may generate sparks and heat. Be sure to check all connections before using the portable solar kit.
	Observe correct polarity	Reverse polarity of the battery terminals and array will cause the controller to give a warning tone. The controller will not function unless battery terminals are connected to a battery with proper polarity. Failure to correct this fault could damage the controller.
	Do not exceed the Charge Controller current and voltage ratings	Refer to charge controller manual for details.

3. FEATURES AND ACCESSORIES

	Description	No	Description
1	Handle	10	Fuse
2	Latches	11	Protective carrying case
3	Aluminum frame	12	Corner protection
4	Aluminum support legs	13	Protective feet
5	Solar charge controller	14	Quick connect dust cover
6	Junction box	15	Ring terminals (for permanent mounting)
7	Cables	16	SAE Solar Plug (for connecting to RVs)
8	Battery clamps	17	2-Pin XLR Connector to Anderson Connector
9	Quick connect cable		

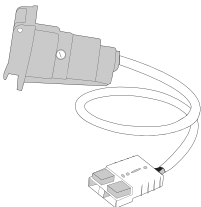


FEATURES AND ACCESSORIES

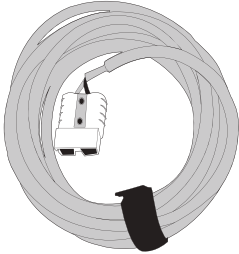


3.1 ADDITIONAL ACCESSORIES SOLD SEPARATELY

Visit gpelectric.com for product details.



GP-PSK-7PIN
7 Pin Trailer Plug Adapter
- Use your existing trailer plug to access your battery for charging



GP-PSK-X30
30' Extension Cable
- Park your RV in the shade and place your solar panel in the sun using this extension cable.



4. INSTALLATION

1. Locate a sunlit area, free from overhanging branches or obstructions.
2. Remove solar panel kit from carrying case.
3. Unclip the two latches on the side of the unit and fold the two panels outward.
Extend the two support legs to their maximum length and lock in position.
4. Place solar panel facing the sun.

Note

Avoid any shading no matter how small. An object as small as a broomstick held across the solar module may cause the power output to be reduced. Overcast days may also cut the power output of the module.

To obtain maximum output it is suggested that the panel's direction be frequently adjusted to track the sun's movement throughout the day (southerly exposure).

5. Connect battery clamps to the positive (red, +) and negative (black, -) battery terminals. Ensure that the connection is secure. Connect the battery clamp cable to the rest of the solar panel cable using the quick connect cable.



Ensure the battery clamps do not come in contact with one another.

Do not let water come into contact with the controller.

5. SPECIFICATIONS

8.1 PORTABLE SOLAR KIT SPECIFICATIONS

TYPE	MODULE SIZE (CLOSED)	MODULE SIZE (OPENED)	NET WEIGHT	MAX POWER	MAX POWER VOLTAGE	MAX POWER CURRENT	OPEN CIRCUIT VOLTAGE	SHORT CIRCUIT CURRENT
Module	(H) x (W) x (D)	(H) x (W) x (D)	lbs / kg	W	V	A	V	A
90W (2x45W)	22.0 x 20.6 x 3.4 in 558 x 524 x 86 mm	22.0 x 40.7 x 3.4 in 558 x 1034 x 86 mm	20 lbs / 9 kg	90	19.8	4.4	23.6	4.6
130W (2x65W)	32.8 x 20.6 x 3.4 in 834 x 524 x 86 mm	32.8 x 40.7 x 3.4 in 834 x 1034 x 86 mm	33 lbs / 15 kg	130	19.7	6.74	23.8	7.12
200W (2x100W)	40.0 x 27.2 x 3.4 in 1015 x 691 x 86 mm	40.0 x 53.9 x 3.4 in 1015 x 1368 x 86 mm	51 lbs / 23 kg	200	17.6	11.43	21.1	12.34

6. FREQUENTLY ASKED QUESTIONS

Please visit gpelectric.com for the most up-to-date FAQs.

Q1. It seems like my flooded batteries are losing water over time.

A. Flooded batteries may need to have distilled water added periodically to replace fluid loss during charging. Excessive water loss during a short period of time indicates the possibility of overcharging or aging batteries.

Q2. When charging, my flooded batteries are emitting gas.

A. During charging, hydrogen gas is generated within the battery. The gas bubbles stir the battery acid allowing it to receive a more full state of charge. Ensure batteries are in a well-ventilated space.



FREQUENTLY ASKED QUESTIONS

Q3. My voltmeter shows a different reading than the charge controller display

A. The meter value on the charge controller display is an approximate reading intended for indication purposes only. There is an approximate 0.1 volt inherent error present that may be accentuated when compared with readings from another voltmeter.

There may be a slight difference between the battery voltage displayed on the charge controller display and the battery voltage measured at the battery terminals. When troubleshooting using a voltmeter, check both the battery voltage at the controller terminals and battery voltage at the battery terminals. If a difference of more than 0.5 volts is noted, this indicates a large voltage drop possibly caused by loose connections, long wire runs, small wire gauge, faulty wiring, a faulty voltmeter or all the above. Check all connections.

7. LIMITED WARRANTY

Go Power! warrants the solar panel of the Portable Solar Kit for 25 years, 1 year for the cable and components and 5 years for the solar controller. This warranty is valid against defects in materials and workmanship. It is not valid against defects resulting from, but not limited to:

- Misuse and/or abuse, neglect, or accident
- Exceeding the unit's design limits
- Improper installation, including, but not limited to, improper environmental protection and improper hook-up
- Acts of God, including lightning, floods, earthquakes, fire, and high winds
- Damage in handling, including damage encountered during shipment or installation

Visit gpelectric.com for additional product warranty information.

Refer to the troubleshooting or frequently asked questions section in this manual and/or read our "frequently asked questions" on gpelectric.com to troubleshoot any problem. If trouble persists:

1. Call your Go Power! Technical Support team (1-866-247-6527).
2. Return defective product to place of purchase.