

FULL-FLOW FLANGED IN-LINE BALL VALVES

U.S. PATENT NO. 7,000,896

IBV SERIES

ISO-9093-1
(BSPP MODELS)

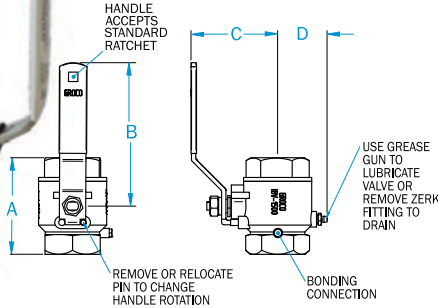


UL
LISTED
15PR
(NPT MODELS)

IBVL Series
has locking mechanism

NEW

**AVAILABLE WITH
NPT OR BSPP
THREADS**



**NEW PATENT-PENDING
FEATURE**

- 1-1/4" sizes and larger include one grease zerk fitting (can be used for lubrication or for draining). See page 12 for more.
- Patented selectable handle rotation.
- Handle has square hole to accept standard ratchet, to help reach valves in hard-to-reach locations and ease actuation of difficult to operate valves.
- 400 WOG rated.
- Full flow.
- Stainless steel handle and hardware.
- Chrome plated solid brass ball (not a hollow ball).
- PTFE seats and seals.
- Bonding attachment.
- UL listed for fuel or water.
- Fits IBVF (see page 7) for Seacock Application.

MODEL NPT	THREAD NPT/BSPP	A inch/mm	B inch/mm	C inch/mm	D inch/mm	WEIGHT lb/kg
IBV-250	1/4"	1.77/45.0	4.48/113.79	1.99/50.55	1.08/27.43	0.48/0.2
IBV-375	3/8"	1.77/45.0	4.48/113.79	1.99/50.55	1.08/27.43	0.46/0.2
IBV-500	1/2"	2.05/52.1	5.10/129.54	2.26/57.40	1.14/28.96	0.74/0.3
IBV-750	3/4"	2.33/59.2	5.15/130.81	2.27/57.66	1.26/32.00	1.00/0.5
IBV-1000	1"	2.79/70.9	5.93/150.62	2.48/62.99	1.47/37.34	1.70/0.8
IBV-1250	1-1/4"	3.18/80.8	6.54/166.12	2.65/67.31	1.71/43.43	2.24/1.0
IBV-1500	1-1/2"	3.60/91.4	7.62/193.55	3.20/81.28	1.88/47.75	3.28/1.5
IBV-2000	2"	4.30/109.2	9.13/231.90	3.59/91.19	2.17/55.12	4.56/2.1
IBV-2500	2-1/2"	5.25/133.3	10.00/254.00	4.40/111.76	2.60/66.04	10.40/4.7
IBV-3000	3"	6.87/174.5	10.75/273.05	4.75/120.65	3.00/76.20	17.54/8.0
IBV-4000	4"	8.20/208.3	12.00/304.80	6.00/152.40	4.00/101.60	29.80/13.5