

C-60 and C-80 Deck Wash Kits

Installation, Operation, and Maintenance

The Concept: GROCO C-60 and C-80 Deck Wash Kits are driven by self-priming Vane Pumps that will deliver up to 7.5 GPM at up to 40 PSI - more than enough pressure and flow to remove even the most stubborn mud from anchors or fish blood from decks.

Installation: Install your deck wash pump in any orientation, not more than 24" from the inlet seacock in a dry location. The motor is not waterproof. Motor damage from water exposure is not covered by product warranty. Drill through the plastic mount board and fasten the unit securely in place.

Install P-9021 check valve on top of the inlet seacock (observe flow direction arrow). P-9021 maintains system prime while the boat is underway and the pump is not in use. A 3/4" scoop thru-hull (GROCO STH-750-W, not included) must be installed to assure that the pump inlet plumbing is always under positive pressure.

Use 3/4" ID reinforced hose to the pump, and garden hose after the pump. The pump inlet and outlet have standard garden hose connections. Double-clamp hose connections and use TFE thread tape on threaded connections.

The use of optional PST-1 Pressure Storage Tank will reduce pump cycling.

Electrical Requirements:

Select the proper wire size from the Wire Size Selection chart. If using a toggle switch to control power to the pump, run positive (+) power from the circuit breaker to one pole of the toggle switch. Wire from the second pole of the toggle switch to the terminal block location opposite the orange wire on the pump mount board. Run negative (-) power to the terminal block location opposite the black wire on the pump mount board.

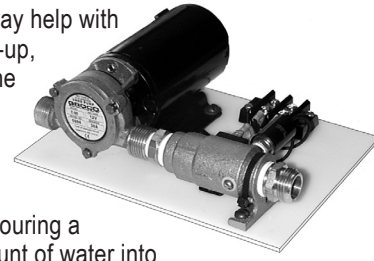
Make electrical connections with ring terminals for #6 stud.

Model	Voltage	Breaker
C-60	12V	30
C-60	24V	20
C-80	12V	30
C-80	24V	20
C-80	32V	15

Start-up: Apply power at the circuit breaker. With the PGN-50 Salt Water Nozzle squeezed open, switch the toggle switch "on". The pump will run and prime itself within a few seconds. When the nozzle is released the system will pressurize and shut off. If the pump does not prime itself within 15 seconds or so, turn the toggle switch off and check these details:

- Is the nozzle squeezed open?
- Is proper wiring polarity observed (motor running backwards)?
- Is P-9021 check valve installed backwards (observe flow direction arrow)?
- Are plumbing connections tight?

Note: It may help with initial start-up, and with the first use each season to "wet" the pump by pouring a small amount of water into the inlet hose between the pump and P-9021 check valve.

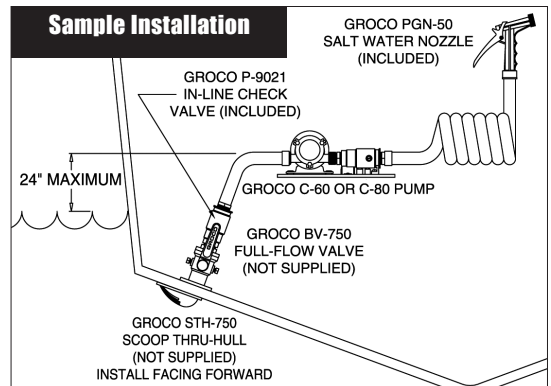
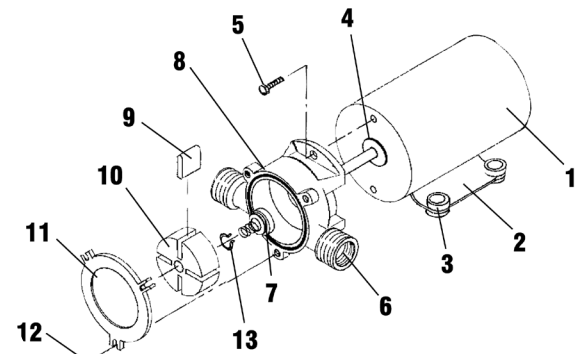


Operation: Once primed you will enjoy pressurized water on demand. Just pick up the nozzle and squeeze. When not in use, coil the discharge hose and hang it to prevent the accidental discharge of pressurized water.

Engine vibration and boat movement may cause P-9021 to lose prime and cause the pump to "cycle". This is normal if the toggle switch is left "on". Always turn the toggle switch "off" when you have no plans to use your deck wash system.

Maintenance: Vane pumps are manufactured to close tolerances. Remove the pump cover once per season and apply a small amount of vegetable oil to the inside of the pump housing to help to prevent salt and silt build-up.

Item	Part Number	Description	Qty	P-10 Kit	P-10 Master Kit
1	(Voltage)-F (Voltage)-R	Motor (C-60) Motor (C-80)	1		
2	B-200	Base	1		
3	B-200-G	Grommets Set (4)	1		
4	SP-95	Slinger	1		
5	1032X12HS	Bolts	2		
6	SP-49-C	Pump Body	1		
7	69089	Shaft Seal Assembly	1	x	x
8	2-034	O-Ring	1	x	x
9	SP-98	Blades Set (8)	1		x
10	SP-99-A	8 Slot Rotor	1		x
11	SP-91	Pump Cover	1		
12	1024X12HB	Bolts	3		
13	Snap Ring-1	Seal Snap Ring	1	x	x
NS	P-9021-A	Check Valve Assembly	1		
NS	IPS-38	Pressure Switch only	1		
NS	IPS-383 (Volts)	Press Switch & Relay	1		



Service Notes:

- 32V-F Motor is no longer available
- IPS-38 Pressure switch requires a relay. If replacing the pressure switch on a C-60 or C-80 that does not already have a relay, you must order IPS-383 (voltage).
- C-60 and C-80 produced after January 2000 include PC-741 check valve and pressure switch adaptor. If you are replacing IPS-38 pressure switch it is recommended that PC-741 be installed as well. PC-741 replaces P-9021-A in current production and protects the pressure switch from becoming clogged or disabled by debris, sand or salt.
- Rotor changed to include 8 blades for improved performance after December 2007.