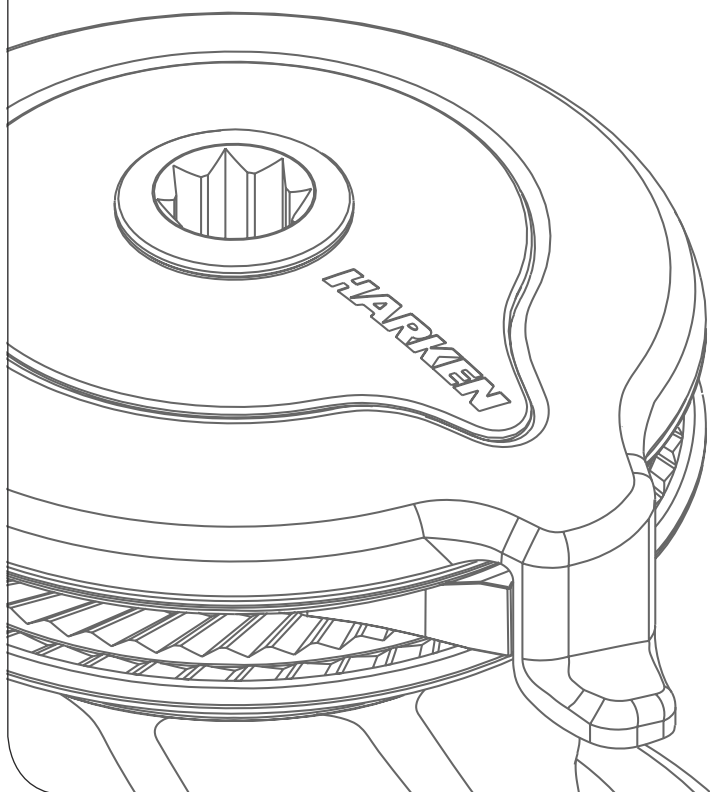


# Installation and Maintenance Manual

MRW-01

## Radial Winch 50.2 ST



**HARKEN**<sup>®</sup>

<b>Introduction</b>	3
<b>Technical characteristics</b>	3
<i>Weight</i>	3
<i>Maximum working load</i>	3
<b>Outline</b>	3
<b>Installation</b>	4
<i>Procedure 1</i>	5
<i>Procedure 2</i>	6
<i>Installation procedure</i>	8
<i>Positioning the self-tailing arm</i>	9
<b>Maintenance</b>	9
<i>Washing</i>	9
<i>Maintenance table</i>	9
<i>Disassembly procedure</i>	9
<i>Exploded view with maintenance products</i>	13
<i>Assembly</i>	14
<b>Harken® limited worldwide warranty</b>	15
<b>Ordering spare parts</b>	15
<b>Exploded view</b>	16
<b>Parts list</b>	18
<i>Radial Winch 50.2 STA</i>	18
<i>Radial Winch 50.2 STC</i>	19

## Introduction

This manual gives technical information on winch installation and maintenance, including disassembling and reassembling.

This information is DESTINED EXCLUSIVELY for specialised personnel or expert users.

Installation, disassembling and reassembling of the winch by personnel who are not experts may cause serious damage to users and those in the vicinity of the winch.

Harken® accepts no responsibility for defective installation or reassembly of its winches.

In case of doubt the Harken® Tech Service is at your disposal at [techservice@harken.it](mailto:techservice@harken.it)

This Manual is available only in English. If you do not fully understand the English language, do not carry out the operations described in this Manual.

## Technical characteristics

	Power ratio	Gear ratio
1st speed	10,9 : 1	2,4 : 1
2nd speed	50,4 : 1	10,9 : 1

*The theoretical power ratio does not take friction into account.*

### Weights

	ST A version	ST C version
Weight (Kg)	6	9,2

Versions:

A = drum in anodised aluminium

C = drum in chromed bronze

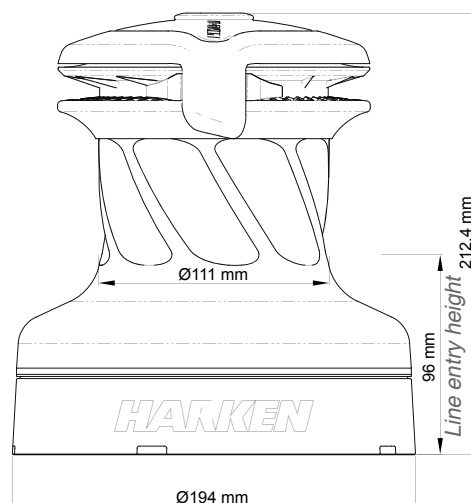
### Maximum working load



#### **WARNING!**

The maximum working load (MWL) for the 50.2 ST Radial Winch is 1450 Kg (3197 lb). Subjecting the winch to loads above the maximum working load can cause the winch to fail or pull off the deck suddenly and unexpectedly during high loads causing severe injury or death.

## Outline



## Installation

The winch must be installed on a flat area of the deck, reinforced if necessary to bear a load equal to at least twice the maximum working load of the winch.

It is the installer's responsibility to carry out all structural tests needed to ensure that the deck can bear the load.

Harken® does not supply the screws needed to install the winch since these may vary depending on the deck on which it is to be installed.

It is the installer's responsibility to choose the correct screws taking account of the loads they will have to bear.

Harken® assumes no responsibility for incorrect installation of its winches or for an incorrect choice of mounting screws.



### DANGER!

Incorrect installation of the winch may cause severe injury or death. Consult the yard that built the boat in the case of doubt over the correct positioning of the winch.



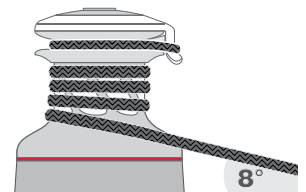
### WARNING!

Failure to use the correct number and type of mounting fasteners or failure to ensure the correct deck strength can result in the winch pulling off the deck suddenly and unexpectedly during high loads causing severe injury or death.



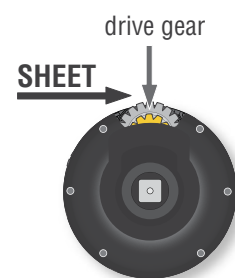
### WARNING!

Verify the entry angle of the sheet. This must be  $8^\circ$  with tolerance of  $\pm 2^\circ$ , to avoid sheet overrides and damaging the winch or making the winch inoperable leading to loss of control of the boat which can lead to severe injury or death.



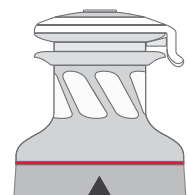
### WARNING!

Mount the winch on the deck so that the drive gear is positioned where the sheet enters the winch drum. Incorrect position of drive gear can weaken winch leading to failure which can cause an accident leading to severe injury or death.



### NOTICE

You can find the icon ▲ on the skirt to identify the drive gear position.



Once you have chosen the correct mounting position for the winch on the deck proceed with installation.

The winch can be installed following one of the two procedures below (**Procedure 1** or **Procedure 2**):

### Procedure 1

To install the winch you must remove the drum and use Socket Head (SH) bolts.

Tools needed

 One medium flat-bladed screwdriver

To identify the various parts, refer to the exploded view at the end of this Manual.

 Torque to apply when assembling



1. Unscrew the central screw ( $\approx 2\text{Nm}/18\text{ in-lb}$ )



2. Slide off the assy socket n°31 and the cover n°30



3. Unscrew the three screws n°29 ( $\approx 4\text{Nm}/35\text{ in-lb}$ )



4. Remove the self-tailing arm n°28 by rotating and lifting it.



5. Lift off the drum n°24

Install the winch on the deck in the position you have chosen, keeping in mind the limits described on page 4 and using socket head (SH) bolts.  
(See paragraph on installation)

Procedure 2

To install, you must remove the winch skirt and use hexagonal headed bolts.


Tools needed



One medium flat-bladed screwdriver

To identify the various parts, refer to the exploded view at the end of this Manual.



1. Remove the skirt n°2 with the help of the screwdriver placed as shown by the symbol 



2. Take off the skirt n°2



3. Position the 5 M8 hexagonal headed bolts in their holes



4. Reposition the skirt n°2 in its housing



5. Press down the skirt to position it correctly

### **NOTICE**

Make sure the skirt is correctly clipped on to the base of the winch.

Install the winch on the deck in the position you have chosen, keeping in mind the limits described on page 4 and using hexagonal headed bolts.  
(See paragraph on installation)

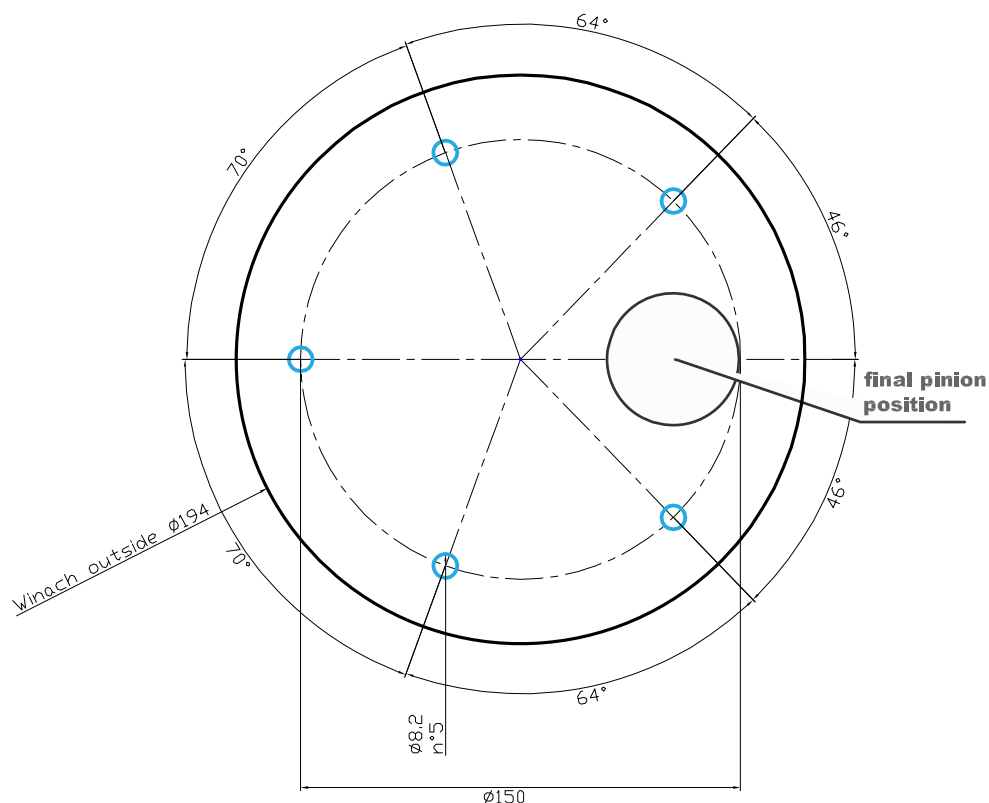
## Installation procedure

Carry out **Procedure 1** or **Procedure 2**, then install the winch on the deck in the chosen position.

- A.** Position the base of the winch on the deck and mark the position of the holes or use the drilling cut-out template at the point where you have decided to place the winch.

Below is a reduced scale diagram.

The drilling cut out template is available on the Harken® website, [www.harken.com](http://www.harken.com)



- B.** Remove the winch and drill the five 8.2 mm diameter holes.
- C.** Bolt the base of the winch to the deck using five M8 Socket Head (SH) bolts for Procedure 1 or five hexagonal headed M8 bolts for Procedure 2 (neither is supplied by Harken®), correctly chosen for the thickness and type of the boat deck. Consult the yard that built the boat in case of doubt.



### **WARNING!**

To install the winch on the deck, use only bolts in A4 stainless steel (DIN 267 part11). Bolts made of other materials may not have sufficient strength or may corrode which can result in winch pulling off deck suddenly and unexpectedly during high loads causing severe injury or death.

### **NOTICE**

To mount winches on the deck, do not use countersunk bolts.

- D.** Fill the mounting holes with a suitable marine sealant.
- E.** Remove the excess adhesive/sealant from the holes and base drainage channels



F. Reassemble the winch following the steps in **Procedure 1** or **Procedure 2** in the reverse order, and apply the products indicated in the section on maintenance.

**NOTICE**

Before closing the winch, make sure the holes and drainage channels in the base of the winch are not obstructed.

Positioning the self-tailing arm

Position the self-tailing arm so that the line leaving the winch is led into the cockpit.

**Maintenance**Washing

Winches must be washed frequently with fresh water, and in any case after each use. Do not allow teak cleaning products or other cleaners containing caustic solutions to come into contact with winches and especially anodised, chrome plated or plastic parts. Do not use solvents, polishes or abrasive pastes on the logos or stickers on the winches. Make sure that the holes and drainage channels in the base of the winch are not obstructed so that water does not collect.

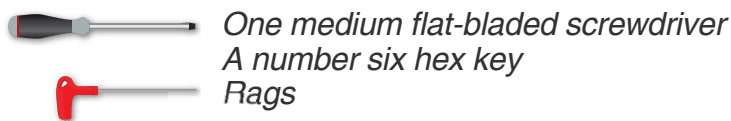
Maintenance table

Winches must be visually inspected at the beginning and end of every season of sailing or racing. In addition they must be completely overhauled, cleaned and lubricated at least every 12 months. After an inspection, replace worn or damaged components. Do not replace or modify any part of the winch with a part that is not original.

**WARNING!**

Periodic maintenance must be carried out regularly. Lack of adequate maintenance shortens the life of the winch, can cause serious injury and also invalidate the winch warranty. Installation and maintenance of winches must be carried out exclusively by specialized personnel.

In the case of doubt contact Harken® Tech Service at [techservice@harken.it](mailto:techservice@harken.it)

Disassembly procedure*Tools needed*

To identify the various parts refer to the exploded view at the end of this Manual.

 Torque to be applied in assembly phase

Carry out **Procedure 1** as shown in the paragraph on winch installation and then do the following:




6. Completely unscrew the three screws n° 29 and remove the stripper arm support n°23



7. Slide out the central shaft n°21



8. Unscrew the 5 hex screws n°18  
( 20Nm/177 in-lb)



9. Remove the assy housing n°17  
Important: washer n°14 may remain inside the drum support!



10. Remove the gear n°16



11. Remove the washer n°14



12. Remove the gear n°10 and remove the pawls n°7.



13. Remove the gear n°3



14. Remove the pinion n°11. To facilitate the operation press the spring against the pawl with a blade



15. Remove roller bearings n°12 and spacers n°13



16. Slide off gear n°6.

If it is necessary to replace any **jaws** of the winch, proceed as follows:



I. Unscrew the 4 screws n°27  
( $\approx 4\text{Nm}/35\text{ in-lb}$ )



II. Remove the jaws n°26

Once the winch is completely disassembled, clean the parts: use a basin of diesel oil to soak metal components and rinse plastic parts in fresh water. Once you have done this, dry the parts with cloths that do not leave residue.

Inspect gears, bearings, pins and pawls for any signs of wear or corrosion.

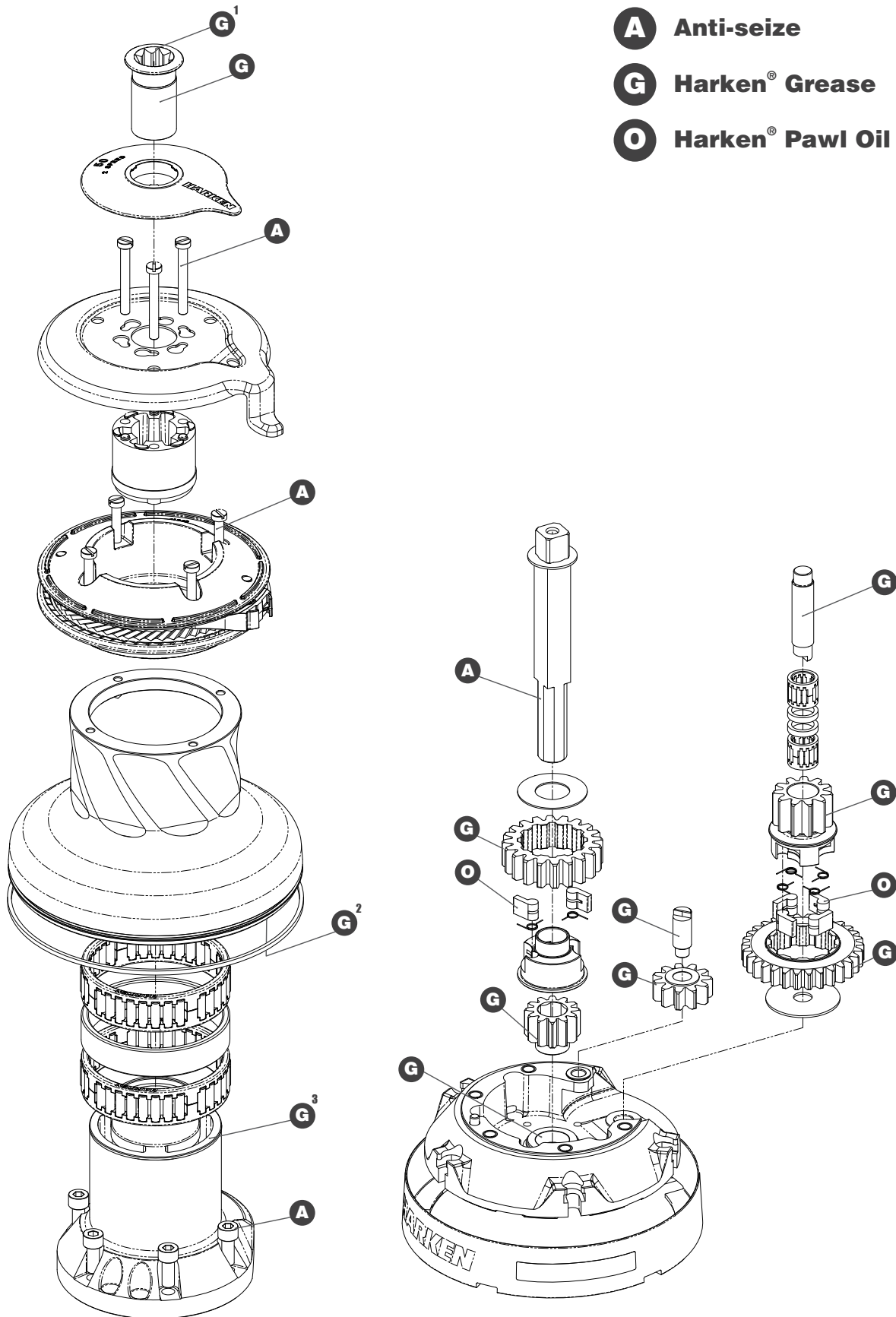
Carefully check the teeth of gears and ring gears to make sure there are no traces of wear.

Check the roller bearings and check there are no breaks in the bearing cages.  
Replace worn or damaged components.

Carry out maintenance on components using the products listed below.  
For more information on which products to use where, refer to the exploded diagram below.

Use a brush to lightly lubricate all gears, gear pins, teeth and all moving parts with grease.  
Lightly lubricate the pawls and springs with oil. Do not use grease on the pawls!

*Exploded view with maintenance products*



- 1 Apply Harken® grease on assy socket screw  
 2 Apply Harken® grease on drum gear  
 3 Apply Harken® grease on the middle step of assy housing

## Assembly

Make sure that the holes and drainage channels in the base of the winch are not obstructed  
Assemble the winch in the reverse order of the sequence in the section on disassembly.

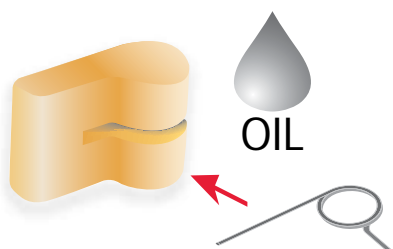
To tighten bolts, use the torque indicated in the disassembly procedure.



When positioning the stripper arm, align the peeler with it.



If the jaws have been disassembled, insert peeler between the two jaws, taking care that the letters TOP on the peeler are facing upwards.



### ***To assemble the pawls:***

correctly position the spring in its housing as shown at left. Hold the spring closed and slide the pawl into its housing. Once in position, check that the pawls can be easily opened and closed with a finger.

In case of doubt concerning the assembly procedure contact Harken® Tech Service: [techservice@harken.it](mailto:techservice@harken.it)

## Harken® limited worldwide warranty

Refer to the Harken® Limited Worldwide Warranty in the Harken® Catalogue and on the website [www.harken.com](http://www.harken.com)

## Ordering spare parts

Spare parts can be requested from Harken® as described in the Harken® Limited Worldwide Warranty, indicating the part number in the Parts List and including the serial number of the winch for which the parts are required.

***The serial number of the winch is printed on a plate on the drum support of the winch.***



### Manufacturer

#### **Harken® Italy S.p.A.**

Via Marco Biagi, 14  
22070 Limido Comasco (CO) Italy  
Tel: (+39) 031.3523511  
Fax: (+39) 031.3520031  
Email: [info@harken.it](mailto:info@harken.it)  
Web: [www.harken.com](http://www.harken.com)

● **Tech Service**  
Email: [techservice@harken.it](mailto:techservice@harken.it)

● **Customer Service**  
Tel: (+39) 031.3523511  
Email: [info@harken.it](mailto:info@harken.it)

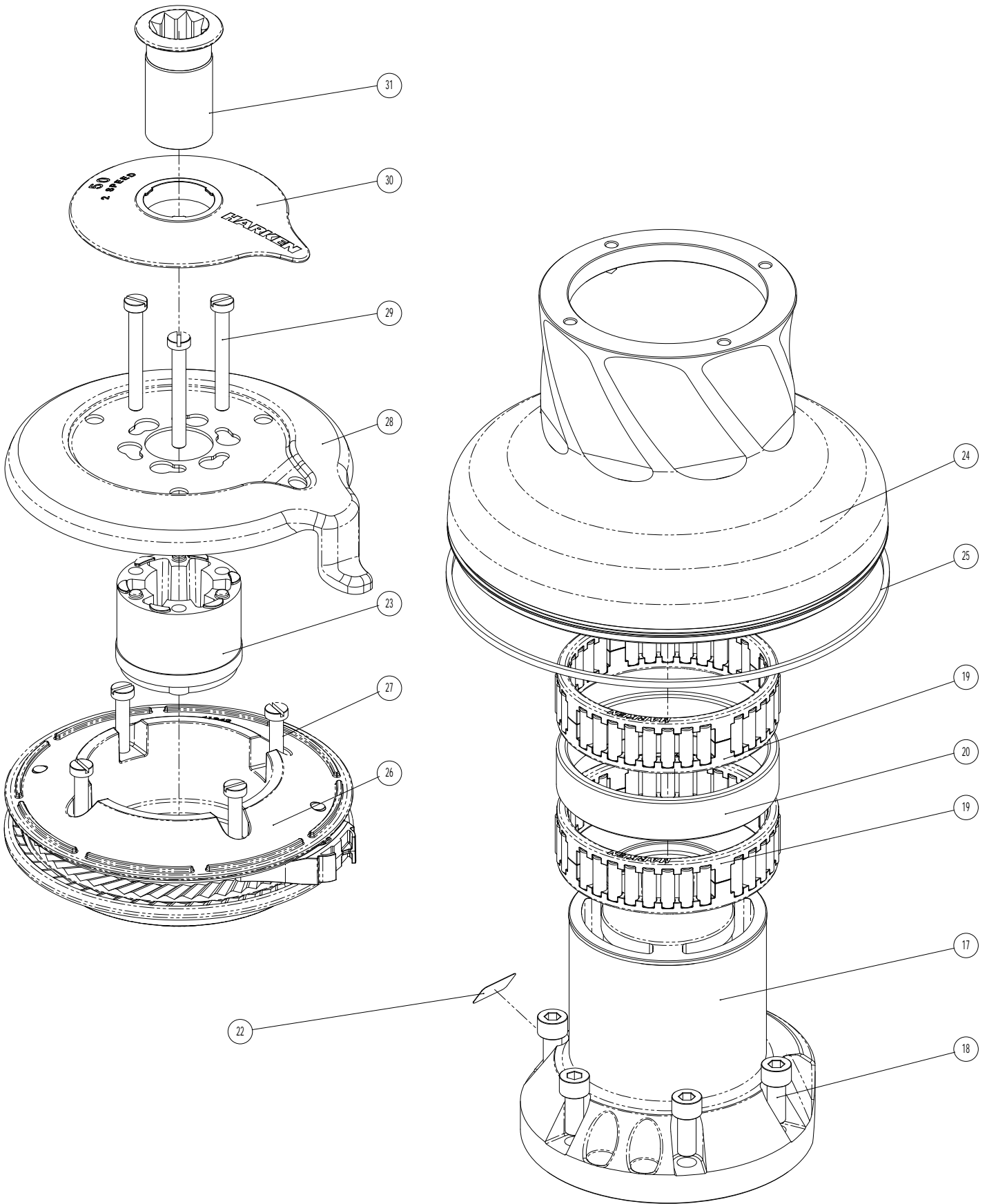
### Headquarters

#### **Harken®, Inc.**

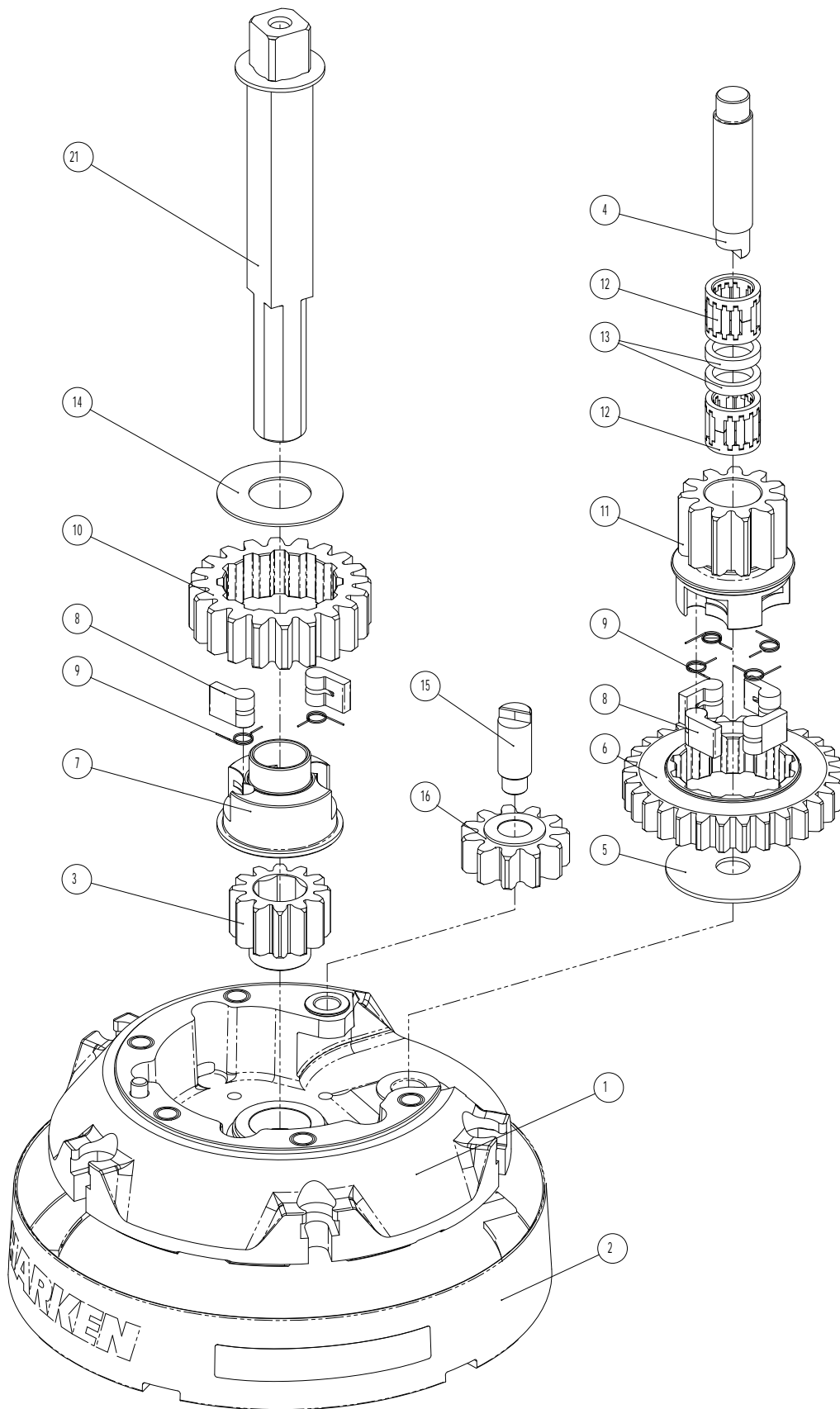
1251 East Wisconsin Avenue  
Pewaukee, Wisconsin 53072-3755 USA  
Tel: (262) 691.3320  
Fax: (262) 691.3008  
Email: [harken@harken.com](mailto:harken@harken.com)  
Web: [www.harken.com](http://www.harken.com)

● **Tech Service**  
Email: [technicalservice@harken.com](mailto:technicalservice@harken.com)

● **Customer Service**  
Tel: (262) 691-3320  
Email: [customerservice@harken.com](mailto:customerservice@harken.com)







## Radial Winch 50.2 STA

A= drum in anodised aluminium

Pos.	Q.ty	Code	Description
1	1	A 941347 00	Assy Base Winch 50 <i>Winch Serial Number Sticker</i>
2	1	A 941349 00	Assy Skirt Winch 50**
3	1	S 41302 00 04	Gear Z12
4	1	S 41605 00 04	Pin
5	1	S278170002	Washer 12.5x48x1.5*
6	1	S 41280 00 41	Gear Z30
7	1	S 41426 00 04	Pawls Carrier Ø8xN2
8	6	S 00008 00 03	Pawl Ø8*
9	6	S 00038 00 01	Pawl Spring Ø8*
10	1	S 41559 00 41	Gear Z20
11	1	S 41561 00 04	Pinion Z11
12	2	A72821800	Roller Bearing 14/20/18*
13	2	S281340080	Spacer roller bearings*
14	1	S 41312 00 02	Washer Ø22.5xØ45x1*
15	1	S 41307 00 04	Pin
16	1	S 941560 00	Assy Gear Z11
17	1	A 941348 00	Assy Housing Winch 50
18	5	M0643203	Screw M8x20 UNI5931*
19	2	A 741351 00	Bearing Ø85xØ97x26*
20	1	S 41352 00 80	Spacer*
21	1	A 941422 00	Assy Central Shaft W50
22	1	S418760063	Winch Serial Number Sticker
23	1	S4129400A0	Stripper arm support
24	1	S41340 00 53	Drum A W50
25	1	S 28169 00 97	Red line
26	1	A 941343 00	Assy Jaws Winch 50 <i>Lower Jaw W50</i> <i>Upper Jaw W50</i> <i>Peeler W46-50</i> <i>Spring</i>
27	4	M0601803	Screw UNI EN ISO 1207:1996 - M6x35 - A4*
28	1	S 41344 00 19	Stripper Arm W50
29	3	M6007103	Screw M6x50 UNI6107*
30	1	S 41345 00 A5	Cover 2 speed W50
31	1	A94136400	Assy - Socket W20-80 <i>Screw M8x20 UNI 6109*</i> <i>Washer Ø7.7xØ25x5.8</i> <i>Socket Handle W20/80</i>

\*Service kit available; see winch kit section on the website [www.harken.com](http://www.harken.com)

\*\*Winch product sticker



## Radial Winch 50.2 STC

C=drum in chromed bronze

Pos.	Q.ty	Code	Description
1	1	A 941347 00	Assy Base Winch 50 <i>Winch Serial Number Sticker</i>
2	1	A 941349 00	Assy Skirt Winch 50**
3	1	S 41302 00 04	Gear Z12
4	1	S 41605 00 04	Pin
5	1	S278170002	Washer 12.5x48x1.5*
6	1	S 41280 00 41	Gear Z30
7	1	S 41426 00 04	Pawls Carrier Ø8xN2
8	6	S 00008 00 03	Pawl Ø8*
9	6	S 00038 00 01	Pawl Spring Ø8*
10	1	S 41559 00 41	Gear Z20
11	1	S 41561 00 04	Pinion Z11
12	2	A72821800	Roller Bearing 14/20/18*
13	2	S281340080	Spacer roller bearings
14	1	S 41312 00 02	Washer Ø22.5xØ45x1*
15	1	S 41307 00 04	Pin
16	1	S 941560 00	Assy Gear Z11
17	1	A 941348 00	Assy Housing Winch 50
18	5	M0643203	Screw M8x20 UNI5931*
19	2	A 741351 00	Bearing Ø85xØ97x26*
20	1	S 41352 00 80	Spacer*
21	1	A 941422 00	Assy Central Shaft W50
22	1	S418760063	Winch Serial Number Sticker
23	1	S4129400A0	Stripper arm support
24	1	S413410043	Drum C W50
25	1	S 28169 00 97	Red line
26	1	A 941343 00	Assy Jaws Winch 50 <i>Lower Jaw W50</i> <i>Upper Jaw W50</i> <i>Peeler W46-50</i> <i>Spring</i>
27	4	M0601803	Screw UNI EN ISO 1207:1996 - M6x35 - A4*
28	1	S 41344 00 19	Stripper Arm W50
29	3	M6007103	Screw M6x50 UNI6107*
30	1	S 41345 00 A5	Cover 2 speed W50
31	1	A94136400	Assy - Socket W20-80 <i>Screw M8x20 UNI 6109*</i> <i>Washer Ø7.7xØ25x5.8</i> <i>Socket Handle W20/80</i>

\*Service kit available; see winch kit section on the website [www.harken.com](http://www.harken.com)

\*\*Winch product sticker

