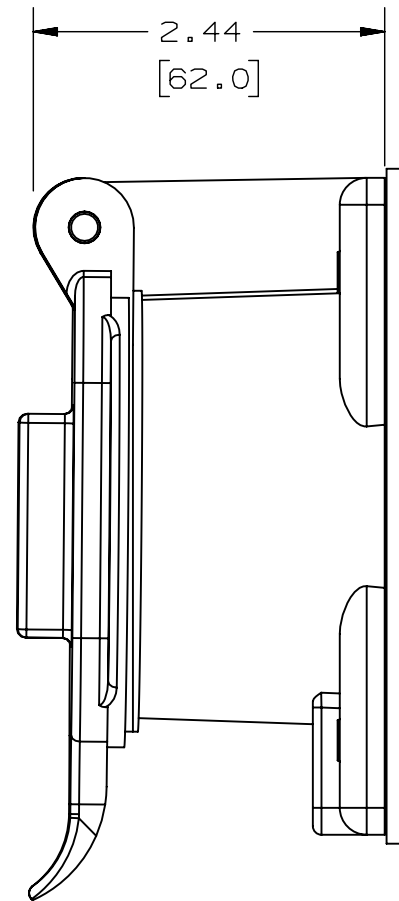
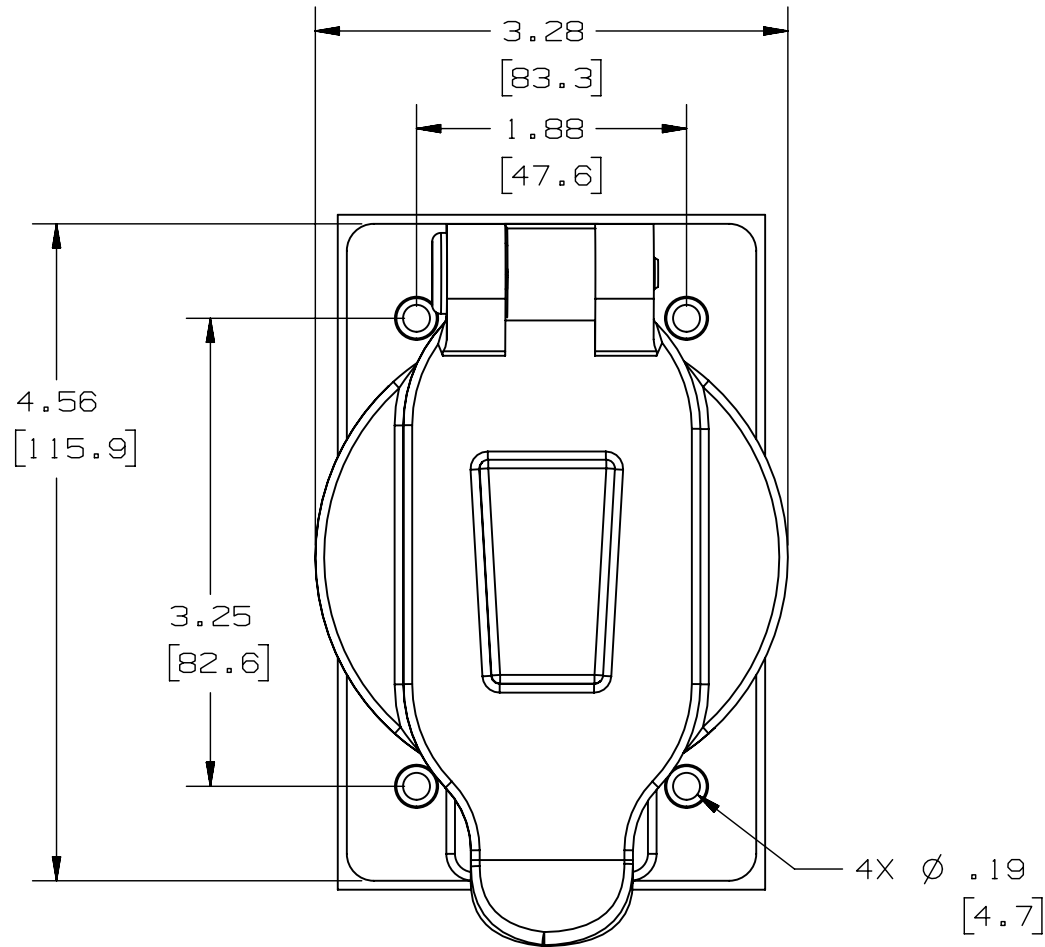
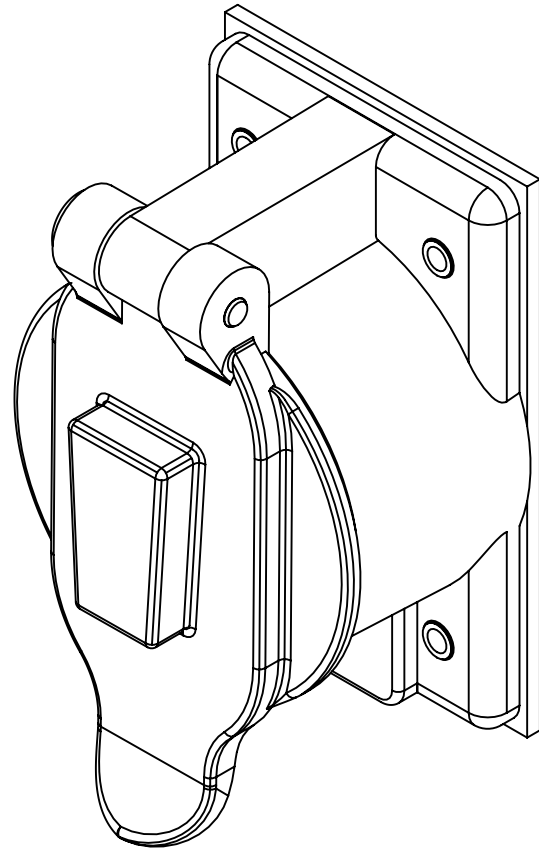


M-8309 2



CATALOG NUMBER	COLOR
HBL77CM74WO	YELLOW
HBL7774WO	GREY

LIST OF PARTS		
DESCRIPTION	MATERIAL	FINISH
PLATE	PBT	
FLAP	PBT	
SPRING	SST	
RETAINING RING	SST	
PIN	SST	
SEAL	EPDM	
GASKET, FLAP	CLOSED CELL	
GASKET, PLATE	CLOSED CELL	

2	CONVERTED FRACTIONAL DIMS TO DECIMAL WITH [mm]. TITLE, REMOVED HBL77CM74WO. ADDED TABLE. PER DCN 23227 SPN	EJM	7/21/17
1	RELEASED PER DCN7346. DJH	MJL	12/20/99
SYM	REVISIONS	APP	DATE

THE DESIGN AND DIMENSIONS OF THE PRODUCT SHOWN ON THIS DRAWING ARE SUBJECT TO CHANGE WITHOUT NOTICE

TITLE
WEATHERPROOF
LIFT-COVER PLATE

TOLERANCES UNLESS OTHERWISE SPECIFIED .XX = ±.01 .XXX = ±.005 ANGLES = ±2°	WIRING DEVICE-KELLEMS HUBBELL INCORPORATED SHELTON, CT	
	DR. BY DJH	APP. BY
	TR. BY	SCALE NONE
	CHK. BY	DATE 12/20/99

DIMENSION SHEET FOR CAT. NO.

REPAIRABLE

NON-REPAIRABLE

B

M-8309

2