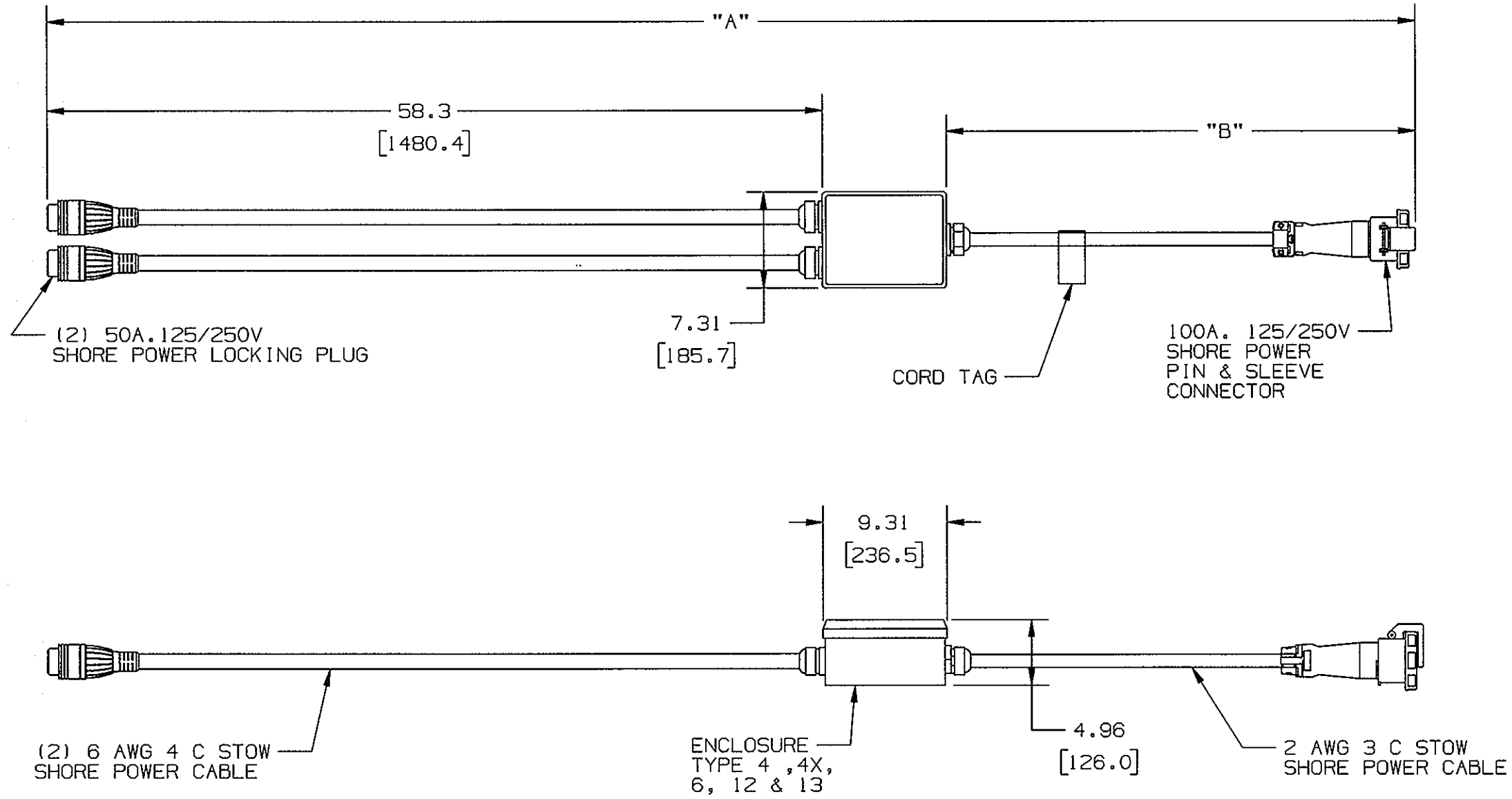


LIST OF PARTS

DESCRIPTION	MATERIAL	FINISH

DIMENSION SHEET FOR CAT. NO. SEE TABLE



SYM	REVISIONS	APP	DATE
3	ADDED TABLE WITH CAT. YQ100PLUSM1. REMOVED YQ100PLUS FROM TITLE. REPLACED "A" AND "B" WITH DIMENSION TEXT. PER DCN 22686 SPN	<i>JM</i> DJP	10/17/16
2	ADDED CORD TAG. PER DCN# 21240 EMD		5/21/15
1	RELEASE PER DCN 13595 RCM	SL	2/9/07

REPAIRABLE NON-REPAIRABLE B

THE DESIGN AND DIMENSIONS OF THE PRODUCT SHOWN ON THIS DRAWING ARE SUBJECT TO CHANGE WITHOUT NOTICE

TITLE
100 AMP MARINE ADAPTER

TOLERANCES UNLESS OTHERWISE SPECIFIED FRACTIONS ± 1/64 DECIMALS ± .005 ANGLES ± 2°	WIRING DEVICE-KELLEMS HUBBELL INCORPORATED BRIDGEPORT, CT	
	DR. BY RCM	APP. BY SL
	TR. BY	SCALE N/A
	CHK'D BY SL	DATE 2/9/07

M-10444 3

NOTES: (UNLESS OTHERWISE SPECIFIED)
1. DIMENSIONS IN INCHES [mm].

CAT. NO.	DIM "A"	DIM "B"
YQ100PLUS	(102.8) [(2612.2)]	35.2 [895.3]
YQ100PLUSM1	(142.2) [(3611.9)]	74.6 [1894.8]