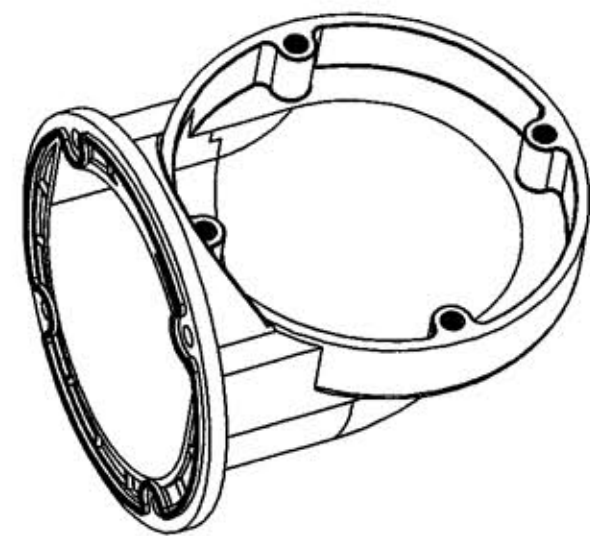
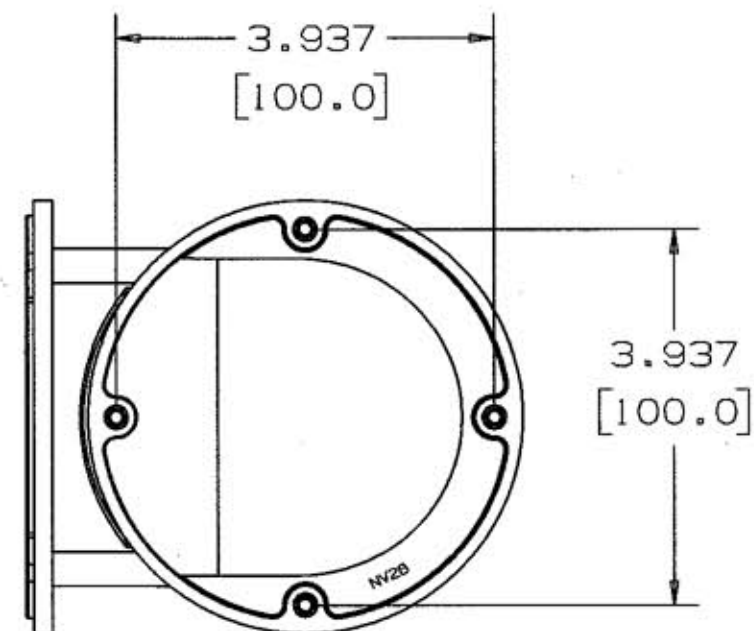
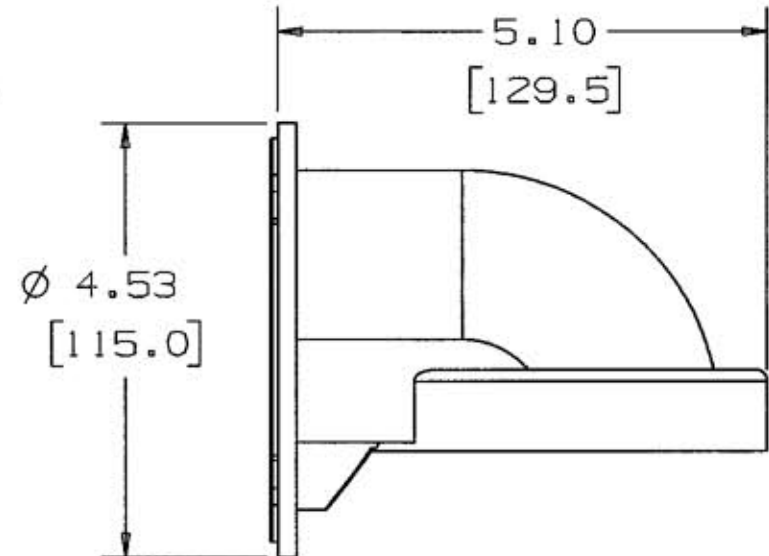
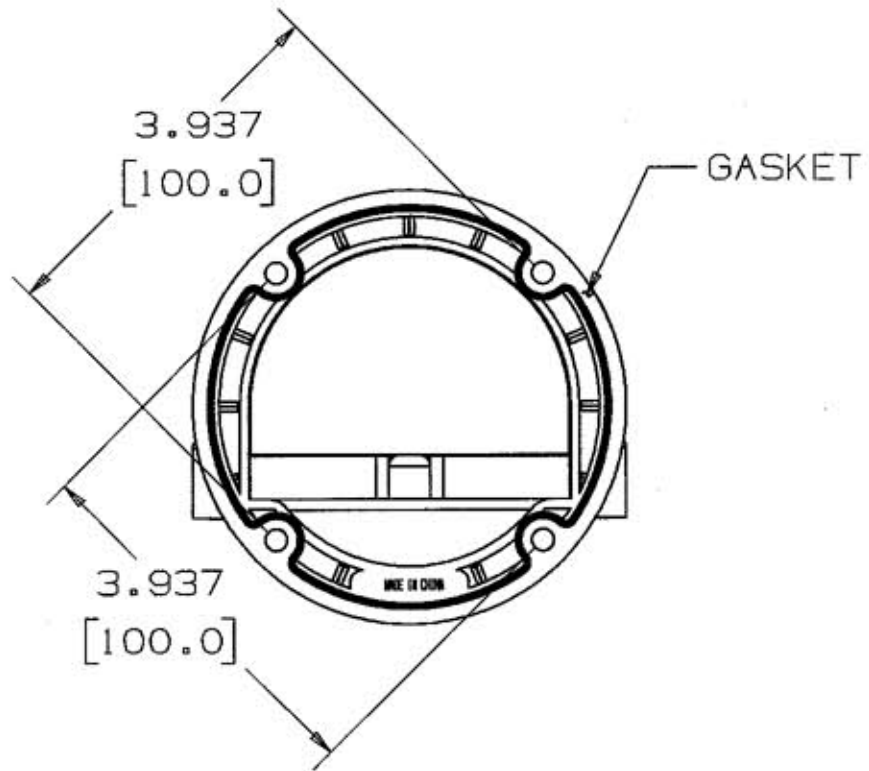


M-10631 2



NOTES:
1. DIMENSIONS ARE NOMINAL VALUES AND SHOWN IN INCH [mm]. USE FOR REFERENCE ONLY.

DESCRIPTION	MATERIAL	FINISH
WALL MOUNT BRACKET	THERMO. POLYESTER	GRAY
GASKET, NV2 SERIES	RED SILICONE	GRAY

SYM	REVISIONS	APP	DATE
2	REMOVED PARENTHESIS FROM DIMS. AND ADDED METERIC VALUES. ADDED COLORS TO FINISH COLUMN OF PARTS LIST. ADDED NOTE 1. PER DCN 14103 SPN	WUH WUH	7/26/07
1	NEW RELEASE PER DCN 13948 SPN	WUH	5/31/07

THE DESIGN AND DIMENSIONS OF THE PRODUCT SHOWN ON THIS DRAWING ARE SUBJECT TO CHANGE WITHOUT NOTICE

TITLE
WALL MOUNT BRACKET

TOLERANCES UNLESS OTHERWISE SPECIFIED	WIRING DEVICE-KELLEMS HUBBELL INCORPORATED BRIDGEPORT, CT	
FRACTIONS ± 1/64	DR. BY SPN	APP. BY WUH
DECIMALS ± .005	TR. BY	SCALE 2:1
ANGLES ± 2°	CHK'D BY WUH	DATE 5/31/07