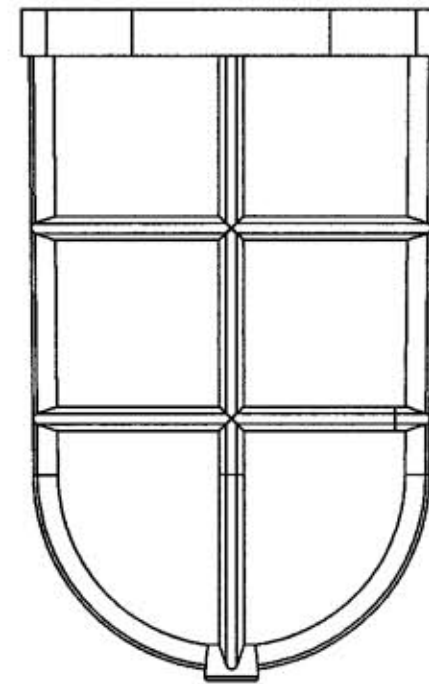
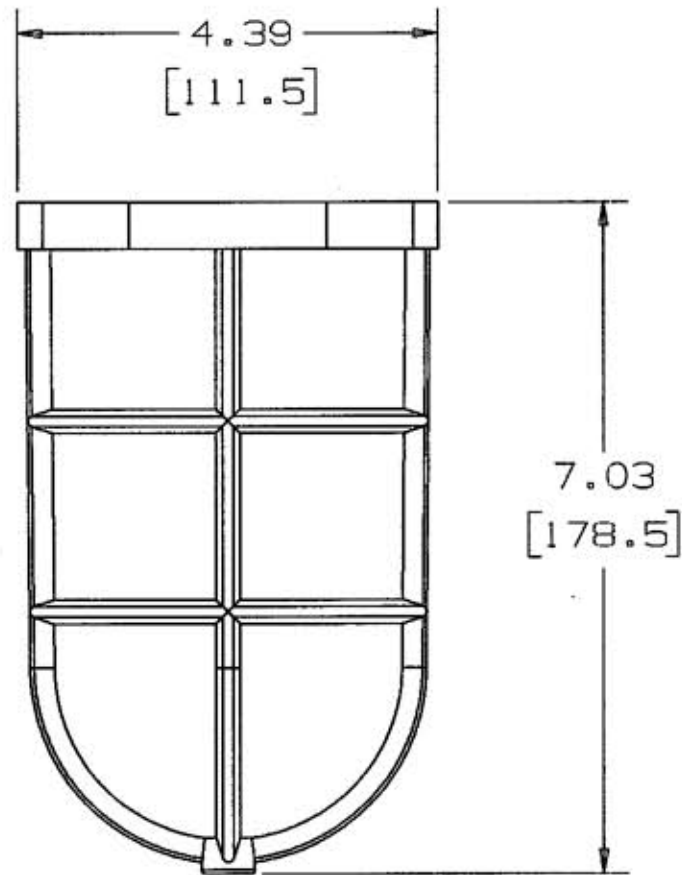
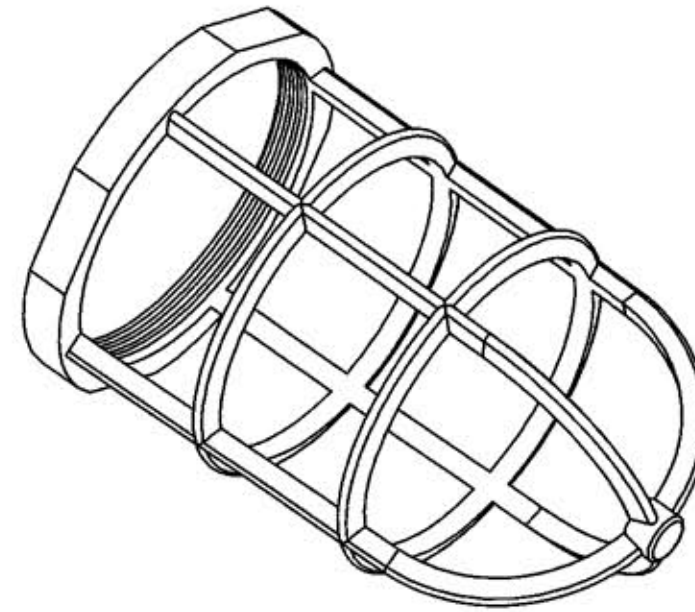
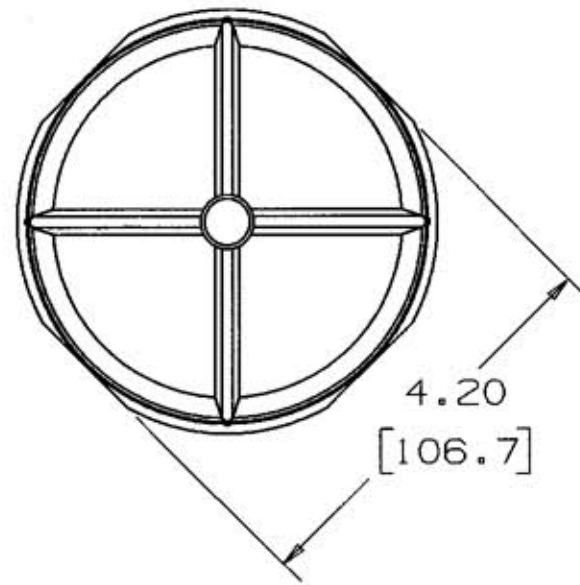


M-10633 2



NOTES:
1. DIMENSIONS ARE NOMINAL VALUES AND SHOWN IN INCH [mm]. USE FOR REFERENCE ONLY.

LIST OF PARTS

DESCRIPTION	MATERIAL	FINISH
GUARD	GLASS FILLED POLYESTER	GRAY

DIMENSION SHEET FOR CAT. NO. NVGA

REPAIRABLE NON-REPAIRABLE

B

M-10633

2

2	REMOVED PARENTHESIS FROM DIMS. AND ADDED METERIC VALUES. ADDED COLORS TO FINISH COLUMN OF PARTS LIST. ADDED NOTE 1. 4.20 WAS 4.18. 7.03 WAS 7.06. PER DCN 14103 SPN	WUH	7/26/07
1	NEW RELEASE PER DCN 13948 SPN	WUH	5/31/07
SYM	REVISIONS	APP	DATE

THE DESIGN AND DIMENSIONS OF THE PRODUCT SHOWN ON THIS DRAWING ARE SUBJECT TO CHANGE WITHOUT NOTICE

TITLE
GLOBE GUARD

TOLERANCES UNLESS OTHERWISE SPECIFIED	WIRING DEVICE-KELLEMS HUBBELL INCORPORATED BRIDGEPORT, CT	
FRACTIONS ± 1/64	DR. BY SPN	APP. BY WUH
DECIMALS ± .005	TR. BY	SCALE 1:2
ANGLES ± 2°	CHK'D BY WUH	DATE 5/31/07