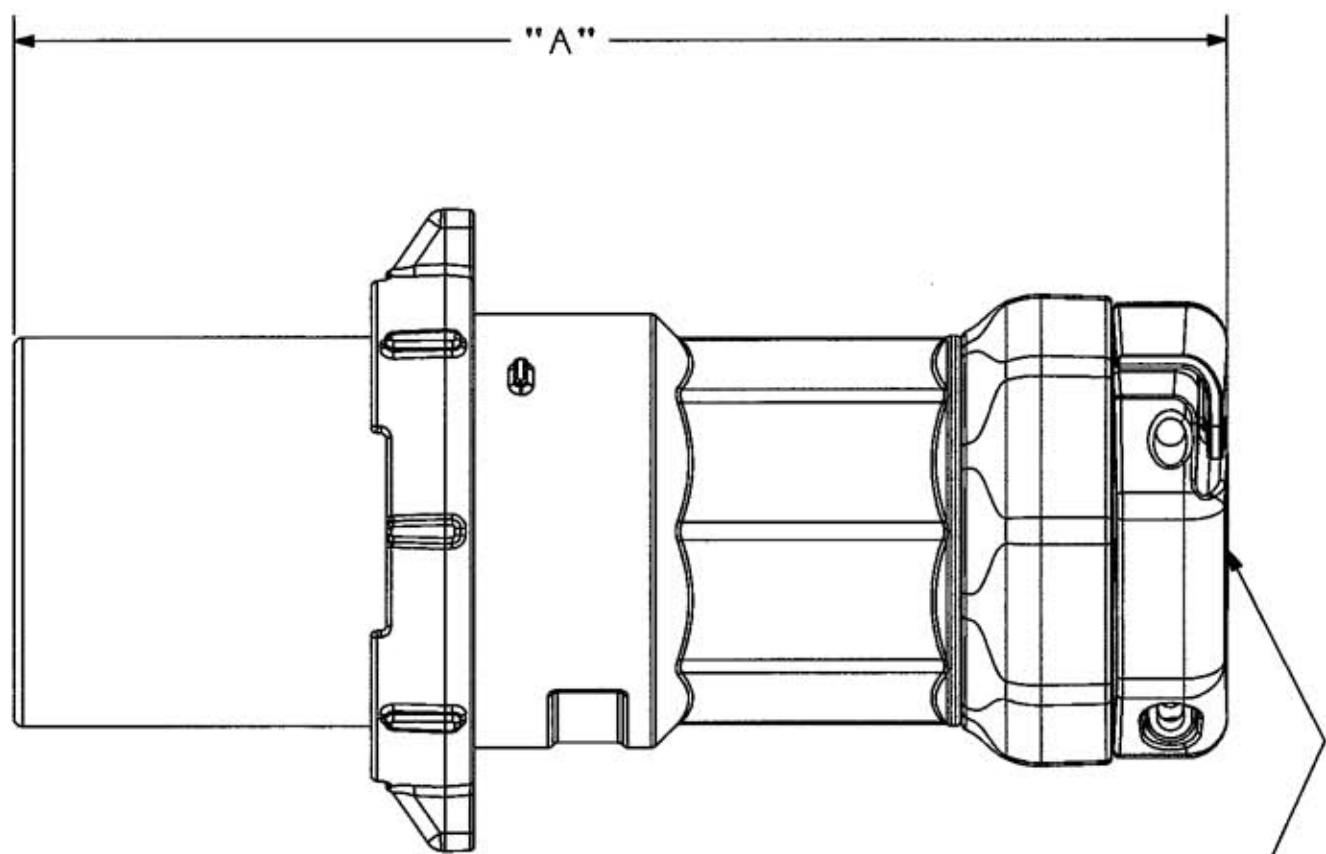
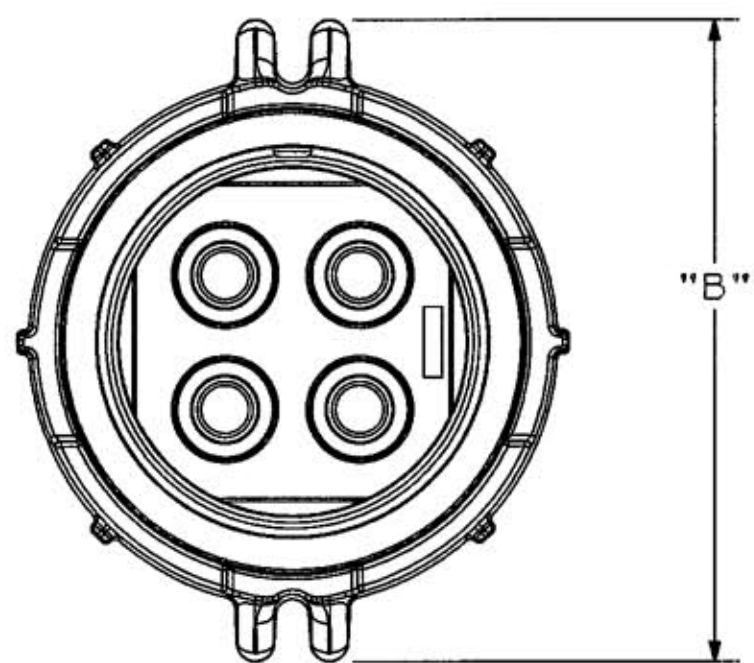


M-10831 1



CABLE DIA.
1.0 MIN.
(25.4)

2.5 MAX.
(63.5)

NOTES: (UNLESS OTHERWISE SPECIFIED)
1) DIMENSION FORMAT IS: INCHES
[mm]

| TABLE | | | | | | | | | |
|-------|----------------------|--------------------------|-------|------|------|---------|-------|-----------|-------|
| AMPS | MAX VOLTAGE AC/DC | CONNECTOR CATALOG NUMBER | PLUG | | | DIM "A" | | DIM "B" Ø | |
| | | | STYLE | POLE | WIRE | INS. | mm | INS. | mm |
| 200 | 600/250 | M5200PS1 | S1 | 4P | 5W | 11.13 | 282.7 | 6.70 | 170.2 |

| LIST OF PARTS | | |
|--------------------|------------------------|---------------|
| DESCRIPTION | MATERIAL | FINISH |
| O-RING | RUBBER | |
| SLEEVES | COPPER ALLOY | NICKEL PLATED |
| LOCK COLLAR | ALUMINUM | |
| SHROUD | ALUMINUM | |
| SET SCREW | STAIN STEEL | |
| SCREWS | STAIN STEEL | |
| SPRING WASHER | COPPER ALLOY | |
| GROUND POST | BRASS | |
| GROUND STRAP | COPPER ALLOY | |
| PLUG HOUSING | ALUMINUM | YELLOW |
| CLAMP GUIDE | ALUMINUM | GRAY EPOXY |
| CLAMP | ALUMINUM | GRAY EPOXY |
| CLAMP INSERTS | ALUMINUM | GRAY EPOXY |
| ONION SKIN GROMMET | RUBBER | |
| INTERIOR | THERMOSET POLYESTER | |

| | | | |
|---|---|---|--------------|
| REPAIRABLE <input checked="" type="checkbox"/> | NON-REPAIRABLE <input type="checkbox"/> | | |
| 1 | RELEASED PER DCN #14472 JMN | WUH VH | 1/31/08 |
| SYM | REVISIONS | APP | DATE |
| THE DESIGN AND DIMENSIONS OF THE PRODUCT SHOWN ON THIS DRAWING ARE SUBJECT TO CHANGE WITHOUT NOTICE | | | |
| TITLE 200A MARINE INSULGRIP PIN & SLEEVE PLUG STYLE 1 | | | |
| TOLERANCES UNLESS OTHERWISE SPECIFIED | | WIRING DEVICE-KELLEMS HUBBELL INCORPORATED BRIDGEPORT, CT | |
| FRACTIONS ±1/64 | 3DECIMALS ±.005 | DR. BY JMN | APP. BY WUH |
| ANGLES ±2° | | TR. BY | SCALE 1:2 |
| 2 DECIMALS ±.030 | | CHK'D BY WUH | DATE 1/31/08 |

DIMENSION SHEET FOR CAT. NO. SEE TABLE

REPAIRABLE NON-REPAIRABLE

B

M-10831

1