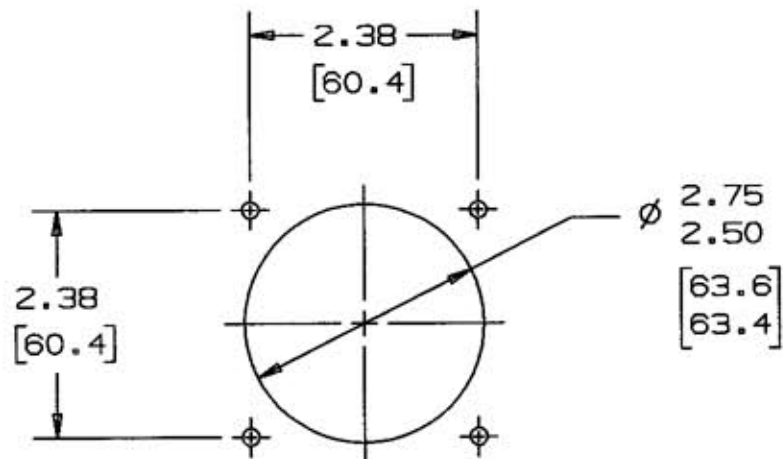
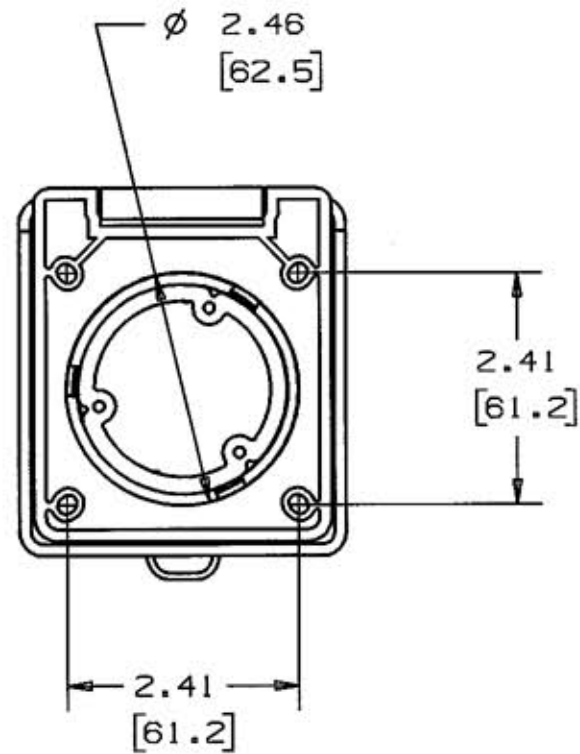
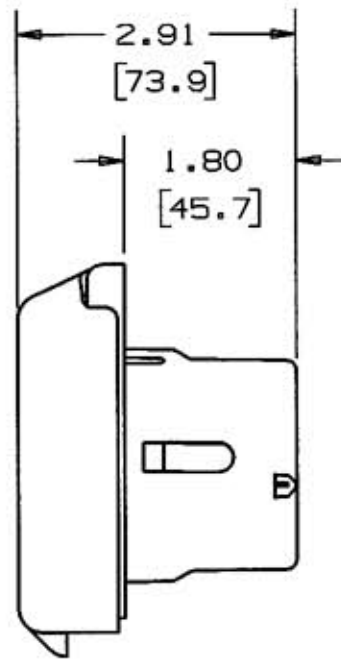
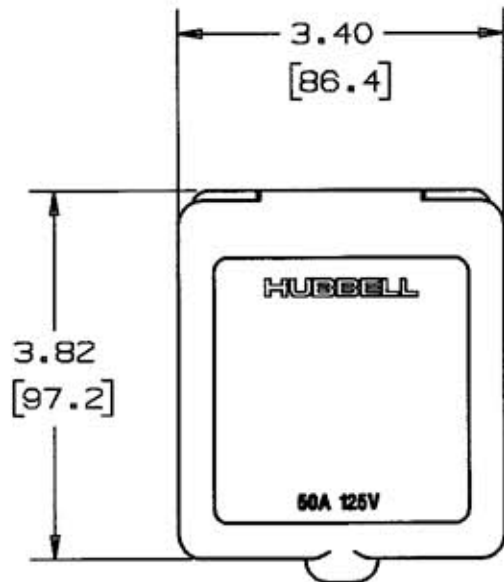


M-7455 3



LIST OF PARTS

DESCRIPTION	MATERIAL	FINISH
COVER	WEATHERABLE POLYMER	
THREADED BODY	FLAME RETARDANT GLASS REINFORCED POLYESTER	
INTERIOR	NYLON	
BLADES	BRASS	NICKEL PLATE
INTERIOR SCREWS	STAINLESS STEEL	
MOUNTING SCREWS	STAINLESS STEEL	
STRAIN RELIEF	NYLON	
STRAIN RELIEF SCREWS	STAINLESS STEEL	
GASKETS	EDPM FOAM RUBBER	

SYM	REVISIONS	APP	DATE
3	ADDED MM TO DIMS.; REMOVED TOL. FROM DIMS.; ADDED 2.91 DIM.; ADDED HBL503NML PER DCN #8885 RCM	TCM	11/15/01
2	ADDED 3 PL TOL TO DIMS, CAT NO WAS NM 503 PER DCN #7772. AMZ	DB	8/21/00
1	"X" REMOVED; LAST X-REVISION WAS X-0 PER DCN #4139. JMN	JLW	5/4/96

THE DESIGN AND DIMENSIONS OF THE PRODUCT SHOWN ON THIS DRAWING ARE SUBJECT TO CHANGE WITHOUT NOTICE

TITLE
NON-METALLIC
SHORE POWER INLET
50A 125V

TOLERANCES UNLESS OTHERWISE SPECIFIED FRACTIONS ± 1/64 DECIMALS ± .005 ANGLES ± 2°	WIRING DEVICE-KELLEMS HUBBELL INCORPORATED BRIDGEPORT, CT	
	DR. BY JMN	APP. BY JLW
	TR. BY	SCALE .5:1
	CHK'D BY JLW	DATE 6/4/96

DIMENSION SHEET FOR CAT. NO. HBL503NML, HBL503NML

REPAIRABLE

NON-REPAIRABLE

B

M-7455

W