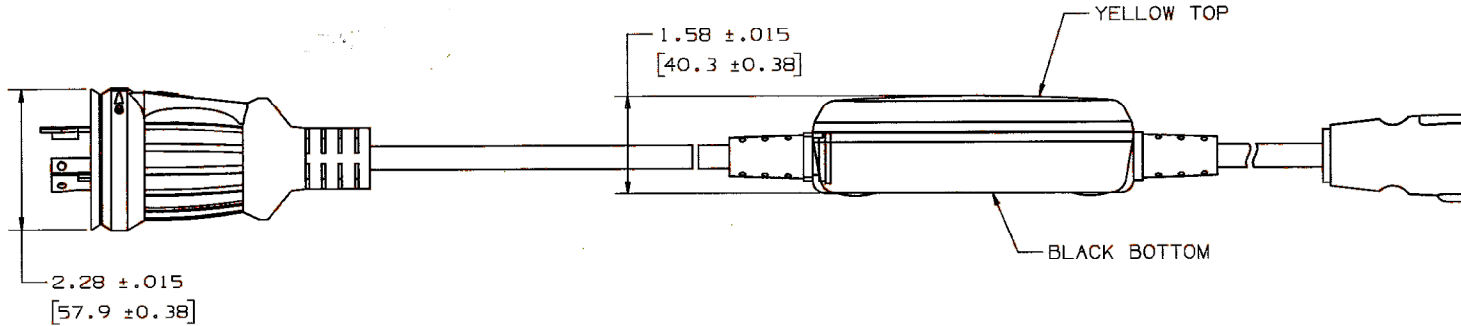
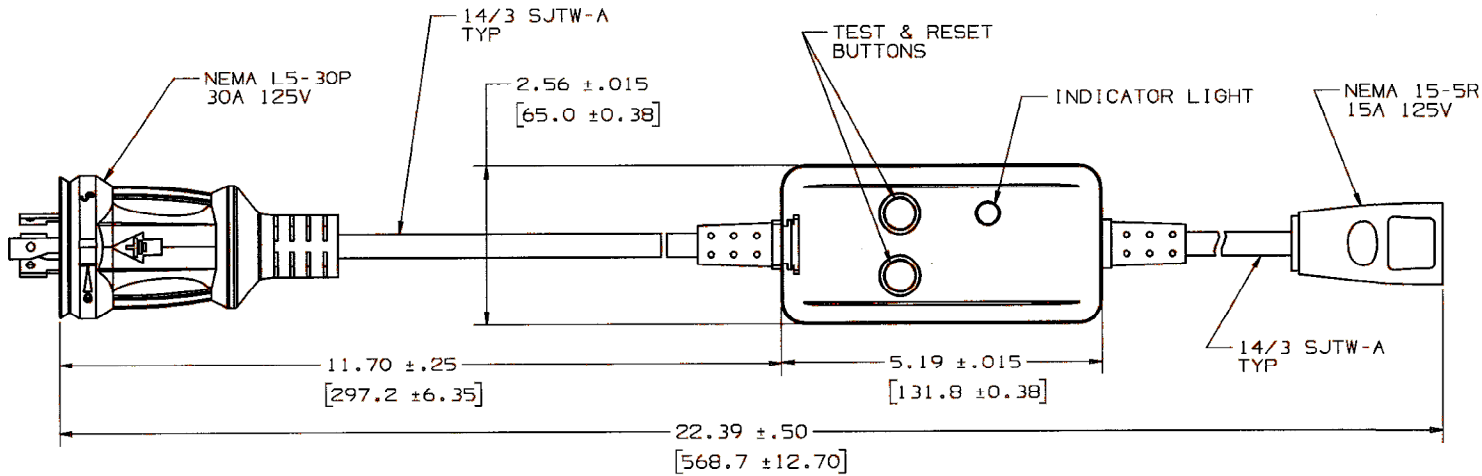


M-9190 1



NOTES: UNLESS OTHERWISE SPECIFIED:

1. USE THIS PRODUCT WITH 3 CONDUCTOR 120VAC. THE LOAD MUST NOT EXCEED 15 AMP/1800 WATTS.
2. AMBIENT OPERATING TEMPERATURE: -35°C TO 66°C.
3. DIMENSION FORMAT IS: INCHES[mm].

| LIST OF PARTS | | |
|---------------------------------|-----------------------|--------|
| DESCRIPTION | MATERIAL | FINISH |
| HOUSING & LENS | U.V. STABLE RIGID PVC | |
| PLUG & RECEPTACLE STRAIN RELIEF | ELASTOMERIC PVC | |
| SWITCH BUTTONS | SILICON RUBBER | |
| | | |
| | | |
| | | |
| | | |
| | | |
| | | |
| | | |
| | | |

| SYM | REVISIONS | APP | DATE |
|-----|------------------------------|------------|------|
| 1 | RELEASED PER DCN # 11021 CAC | <i>MJK</i> | |

THE DESIGN AND DIMENSIONS OF THE PRODUCT SHOWN ON THIS DRAWING ARE SUBJECT TO CHANGE WITHOUT NOTICE

TITLE CUSTOMER DWG IN-LINE GFCI COLOR YELLOW

| | | | |
|---|---|-----|---------------------|
| TOLERANCES UNLESS OTHERWISE SPECIFIED FRACTIONS ± 1/64 DECIMALS ± .005 ANGLES ± 2° | WIRING DEVICE-KELLEMS HUBBELL INCORPORATED BRIDGEPORT, CT | | |
| | DR. BY | CAC | APP. BY: <i>MJK</i> |
| | TR. BY | | SCALE: 1/2 |
| | CHK'D BY | | DATE 7/1/03 |

DIMENSION SHEET FOR CMT. NO. HBL1050F

REPAIRABLE NON-REPAIRABLE

B

M-9190

1