



**IC-M330G**  
(With GPS Receiver)

**IC-M330**  
(Without GPS Receiver)

**VHF MARINE TRANSCEIVERS**

# Top Performance Ultra Compact VHF

**MADE IN  
JAPAN**



## Ultra Compact Body

(W x H x D; 156.5 x 66.5 x 110.1 mm; 6.2 x 2.6 x 4.3 in)

## Easy Installation in Limited Space

## New Speaker Delivers Dynamic, Clear Audio

## Built-in Class D DSC with a CH70 Dedicated Receiver (IC-M330G meets ITU-R M.493-14)

## Class Leading Receiver Performance (IMD and Selectivity: more than 70 dB)

## Intuitive Operation with Icom Marine User Interface

## GPS Receiver Built-in with Supplied GPS Antenna (IC-M330G)



## Easy-to-Read Full Dot-Matrix Display

## IPX7 Submersible Construction (1 m depth of water for 30 minutes)

## AquaQuake™ Draining Function

## Made in Japan Quality and Reliability



## Ultra Compact Body, Flexible Installation

The IC-M330/G has a palm-sized compact body (W×H×D; 156.5 × 66.5 × 110.1 mm; 6.2 × 2.6 × 4.3 in). The radio can be installed in limited space.

## New Speaker Delivers Dynamic, Clear Audio

A new speaker design delivers dynamic and clear sound over a wide bass and treble range. The IC-M330/G provides a distortion-free clear audio even at full volume.

## Built-in Class D DSC

The radio monitors CH 70 continuously, even while you are receiving another channel. DSC functions include: distress, individual, group, all ships, urgency, safety, position request/report, polling request and DSC test calls.

## Class Leading Receiver Performance

The radio provides reliable communication in RF busy environment like a marina. (Selectivity and IMD: more than 70 dB)

## Intuitive Operation with Icom Marine User Interface

A combination of the directional keypad and soft keys provides simple, smooth operation. Most used functions are assigned to soft keys for quick one push function access.

## GPS Receiver Built-in (IC-M330G)

A built-in GPS receiver provides your location, bearing and speed by using information from GPS, GLONASS and SBAS. The acquired position information can be used for DSC calls.



Supplied GPS antenna

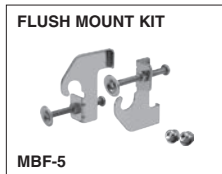
## Made in Japan Quality and Reliability

All Icom products are tested to pass rigorous in-house tests as well as environmental tests at the Wakayama Icom plant before shipping. Our world-leading products and quality is tradition.

## And More

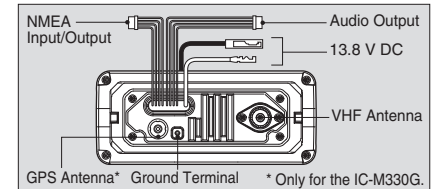
- IPX7 submersible (1 m depth of water for 30 minutes)
- AquaQuake™ prevents audio degradation from a water-logged speaker
- Common NMEA interface for external GPS/NAV connection
- MA-500TR Class B AIS transponder compatible
- Tag scan and favorite channel functions
- Dual/tri-watch function for monitoring CH16 and/or call channel
- Priority scan function • Display and keypad backlighting
- External speaker connection • Weather channel with weather alert
- Supplied hand microphone, HM-235B/W, with channel up/down keys and a CH16/Call channel key
- 3-digit or 4-digit channel display selectable

## OPTIONS



**HM-235B/W**  
HAND MICROPHONE  
Same as supplied.

## REAR PANEL VIEW



## SPECIFICATIONS

| GENERAL  |                              |   |
|--|------------------------------|---|
| Frequency range                                  | Tx<br>Rx<br>CH70             | 156.025–161.600 MHz<br>156.050–163.275 MHz<br>156.525 MHz |
| Usable channels                                  |                              | USA, CAN, INT, WX channels                                |
| Type of emission                                 |                              | 16K0G3E (FM), 16K0G2B (DSC)                               |
| Power supply requirement                         |                              | 13.8 V DC nominal (11.7–15.9 V DC)                        |
| Current drain (at 13.8 V DC)                     |                              |   |
|  | Tx 25 W output<br>Rx AF max. | 5 A<br>1 A  |
| Operating temperature range                      |                              | –20°C to +60°C; –4°F to +140°F                            |
| Antenna impedance                                |                              | 50 Ω (SO-239)   |
| Dimensions (W×H×D)<br>(projections not included) |                              | 156.5 × 66.5 × 110.1 mm;<br>6.2 × 2.6 × 4.3 in            |
| Weight (approx.)                                 |                              | 730 g; 1.6 lb   |
| NMEA formats                                     | In<br>Out                    | RMC, GGA, GNS, GLL, VTG<br>DSC, DSE, RMC, GSA, GSV        |
| TRANSMITTER                                      |                              |   |
| Output power (at 13.8 V DC)                      |                              | 25 W, 1 W   |
| Max. frequency deviation                         |                              | ±5 kHz  |
| Frequency tolerance                              |                              | ±5 ppm  |
| Spurious emissions                               |                              | Less than –70 dBc (High)<br>Less than –56 dBc (Low)       |

| RECEIVER  |             |  |
|---|-------------|--|
| Sensitivity   | Main<br>DSC | –13 dBμ typ. (12 dB SINAD)<br>–5 dBμ emf typ. (1% BER) |
| Squelch sensitivity                                 |             | Less than –10 dBμ                                      |
| Adjacent channel selectivity                        | Main<br>DSC | More than 70 dB<br>More than 73 dBμ emf (1% BER)       |
| Spurious response                                   | Main<br>DSC | More than 70 dB<br>More than 73 dBμ emf (1% BER)       |
| Intermodulation                                     | Main<br>DSC | More than 70 dB<br>More than 68 dBμ emf (1% BER)       |
| Hum and noise                                       |             | More than 40 dB  |
| Audio output power<br>(at 10% distortion, 4 Ω load) |             | 4.5 W typical  |

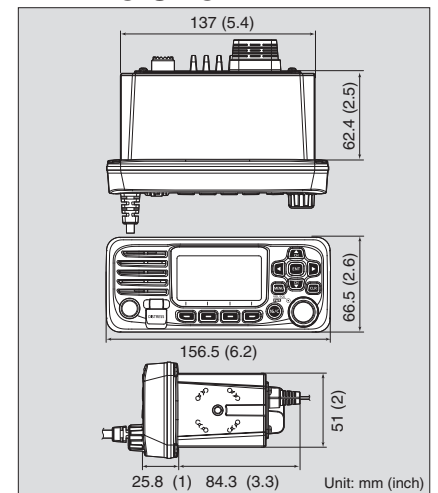
Measurements made in accordance with TIA/EIA-603. All stated specifications are subject to change without notice or obligation.

## Applicable IP Rating

| Ingress Protection Standard |                              |
|-----------------------------|------------------------------|
| Water                       | IPX7 (Waterproof protection) |

| Supplied accessories: * Only for the IC-M330G. |                                     |
|--|-------------------------------------|
| • HM-235B/W hand microphone                    | • DC power cable                    |
| • Mounting bracket kit                         | • GPS antenna (5 m; 16.4 ft cable)* |

## DIMENSIONS



Icom, Icom Inc. and Icom logo are registered trademarks of Icom Incorporated (Japan) in Japan, the United States, the United Kingdom, Germany, France, Spain, Russia, Australia, New Zealand and/or other countries. AQUAQUAKE is a trademark of Icom Inc. (Japan). All other trademarks are the properties of their respective holders.

## Icom Inc.

1-1-32, Kamiminami, Hirano-Ku, Osaka 547-0003, Japan Phone: +81 (06) 6793 5302 Fax: +81 (06) 6793 0013

[www.icom.co.jp/world](http://www.icom.co.jp/world)

**Count on us!**

### Icom America Inc.

12421 Willows Road NE,  
Kirkland, WA 98034, U.S.A.  
Phone: +1 (425) 454-8155  
Fax: +1 (425) 454-1509  
E-mail: [sales@icomamerica.com](mailto:sales@icomamerica.com)  
URL: <http://www.icomamerica.com>

### Icom (Europe) GmbH

Communication Equipment  
Auf der Krautweide 24  
65812 Bad Soden am Taunus, Germany  
Phone: +49 (6196) 76685-0  
Fax: +49 (6196) 76685-50  
E-mail: [info@icom-europe.com](mailto:info@icom-europe.com)  
URL: <http://www.icom-europe.com>

### Icom France s.a.s.

Zac de la Plaine,  
1 Rue Brindejone des Moulinais, BP 45804,  
31505 Toulouse Cedex 5, France  
Phone: +33 (5) 61 36 03 03  
Fax: +33 (5) 61 36 03 00  
E-mail: [icom@icom-france.com](mailto:icom@icom-france.com)  
URL: <http://www.icom-france.com>

### Icom Canada

Glenwood Centre #150-6165  
Highway 17A, Delta, B.C.,  
V4K 5B6, Canada  
Phone: +1 (604) 952-4266  
Fax: +1 (604) 952-0090  
E-mail: [info@icomcanada.com](mailto:info@icomcanada.com)  
URL: <http://www.icomcanada.com>

### Icom Spain S.L.

Ctra. Rubi, No. 88 "Edificio Can Castanyer"  
Bajos A 08174, Sant Cugat del Valles,  
Barcelona, Spain  
Phone: +34 (93) 590 26 70  
Fax: +34 (93) 589 04 46  
E-mail: [icom@icomspain.com](mailto:icom@icomspain.com)  
URL: <http://www.icomspain.com>

### Icom (Australia) Pty. Ltd.

Unit 1 / 103 Garden Road,  
Clayton, VIC 3168 Australia  
Phone: +61 (03) 9549 7500  
Fax: +61 (03) 9549 7505  
E-mail: [sales@icom.net.au](mailto:sales@icom.net.au)  
URL: <http://www.icom.net.au>

### Icom Brazil

Rua Itororó, 444 Padre Eustáquio  
Belo Horizonte MG,  
CEP: 30720-450, Brazil  
Phone: +55 (31) 3582 8847  
Fax: +55 (31) 3582 8987  
E-mail: [sales@icombrasil.com](mailto:sales@icombrasil.com)

### Icom (UK) Ltd.

Blacksole House, Altira Park,  
Herne Bay, Kent, CT6 6GZ, U.K.  
Phone: +44 (0) 1227 741741  
Fax: +44 (0) 1227 741742  
E-mail: [info@icomuk.co.uk](mailto:info@icomuk.co.uk)  
URL: <http://www.icomuk.co.uk>

Your local distributor/dealer: