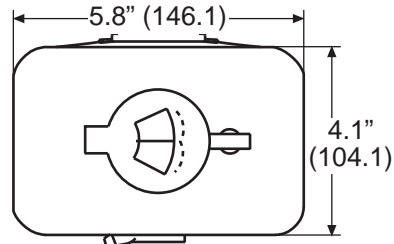
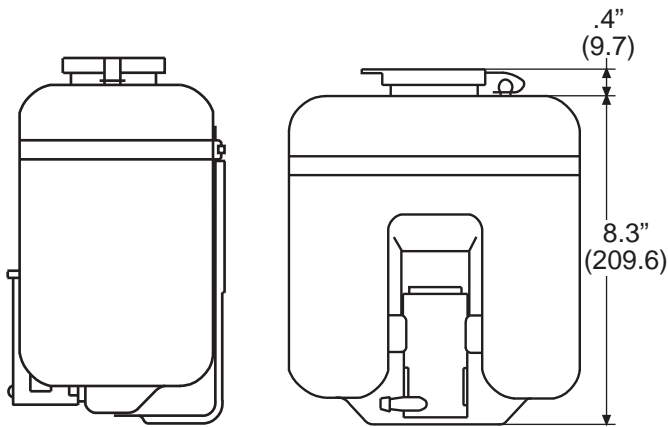


2 Liter Washer Bottle

- Available in 12V or 24V
- Metal spade bracket mount on backside of bottle
- Snap on lid
- Uses 3/16" (4 mm) inside diameter hose
- .25" (6.35 mm) terminals in "T" connector
- Packaged individually
- Conforms to SAE J942B testing
- *For 12V use part # 312-1038
- **For 24V use part # 312-1039

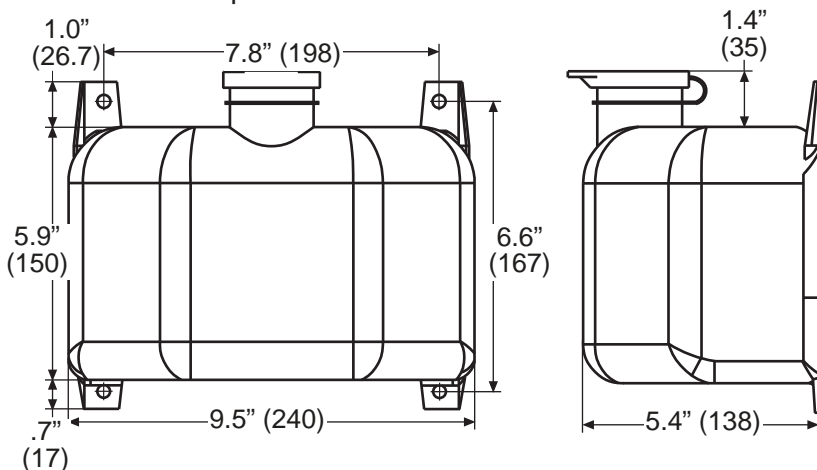


Pump amp draw:
 Open line - 4.1 amps
 Blocked line - 2.8 amps

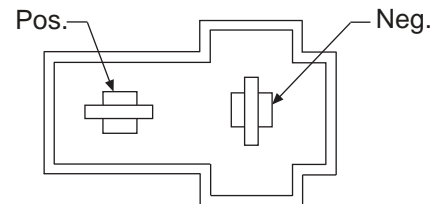
Recommended pump circuit protection:
 12V - 5 amps
 24V - 3 amps

4 Liter Washer Bottle

- Available in 12V or 24V
- 4-point surface mount
- Snap on lid
- Uses 3/16" (4 mm) inside dia. hose
- .25" (6.35 mm) terminals in "T" connector
- Heavy wall construction
- Pressure leak tested
- Packaged individually
- Conforms to SAE J942B testing
- *For 12V use part # 312-1035
- **For 24V use part # 312-1036



Mating parts for 2 and 4 liter bottles:



Mate terminal housing: 317-1056
 Mate terminal: 317-1055

Pump only, 12V: 406-1010
 Pump only, 24V: 406-1011
 Grommet: 408-10 08