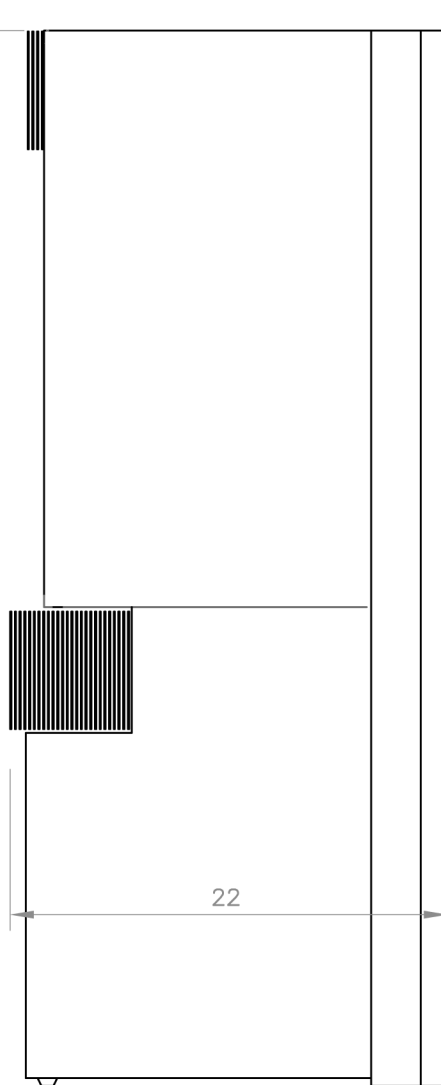


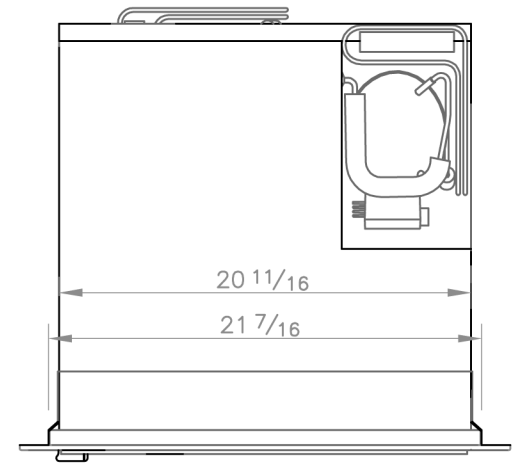
54-5/8

52 15/16

24-1/2




22



20 11/16

21 7/16

View seen from above

Item ref	Quantity	Title/Name, designation, material, dimension etc			Article No./Reference	
Designed by	Checked by	Approved by - date	Filename	Date	070206/LLG	Scale
Owner			Title/Name			
			Cruise 195 Fridge/freezer			
			Drawing number	Edition	Sheet	
			CR195	2 Comp	US	

RevNo	Revision note	Date	Signature	Checked