

SPX®



JOHNSON PUMP

Impeller Identification Guide

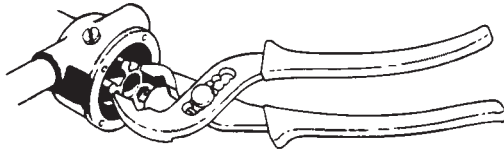
Impeller Identification Guide

**Take good care of the cooling system
-change to a new impeller every year**

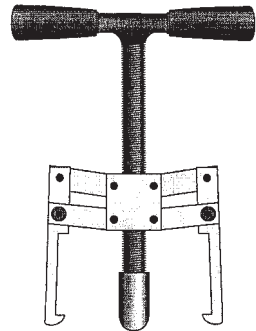
The impeller is a very important security device. Its task is to pump the water through the cooling system of the engine. But remember that the impeller should be replaced every year. And always make sure you get a Johnson Pump original impeller. Then you'll know that it matches your pump exactly.

This is how to remove the old impeller

Remove the impeller with a slip joint plier or a Johnson Pump Impuller.

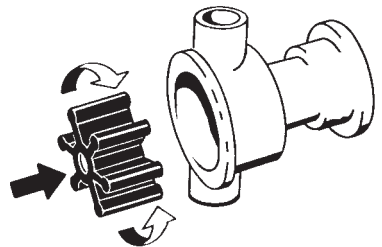


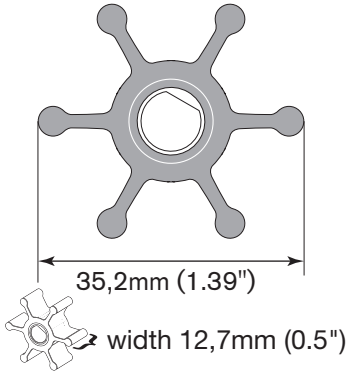
Order No.
09-950-9300 – Impuller



This is how to fit the new one

Lubricate the shaft and the inside of the pump body and endcover. Use soap or Johnson Pump Lubricant 01-46968. By doing so you avoid dry friction when you start the engine. Mount the impeller by making a pushing and twisting movement in the rotating direction.



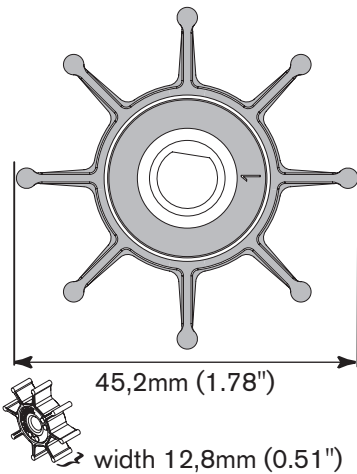


F2

Impeller article number

09-1077B-9

Nitrile (oil resistant)



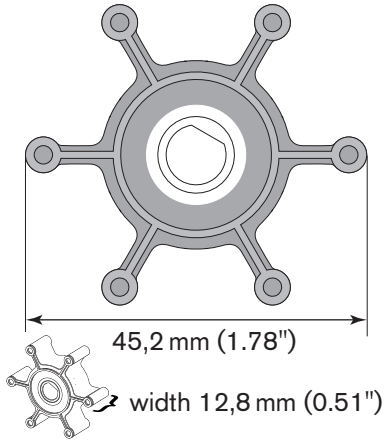
F3

Impeller article number

09-843S-9

Nitrile (oil resistant)

F3B-19



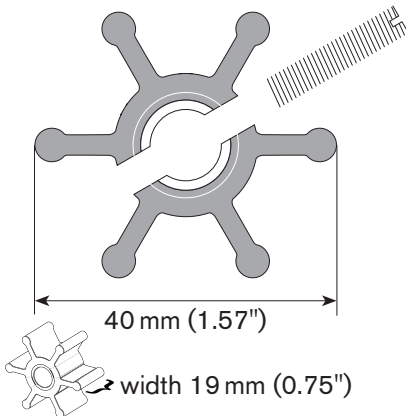
F3

Impeller article number

09-1052S-9

Nitrile (oil resistant)

TA3P10/F3P10



F35

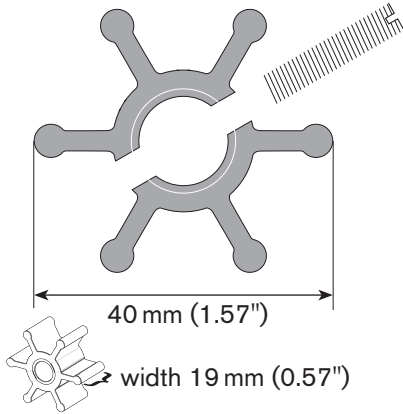
Impeller article number

09-806B-1

MC97 (for cooling)

replaces Jabsco 4528-0001

Europe & USA



F35

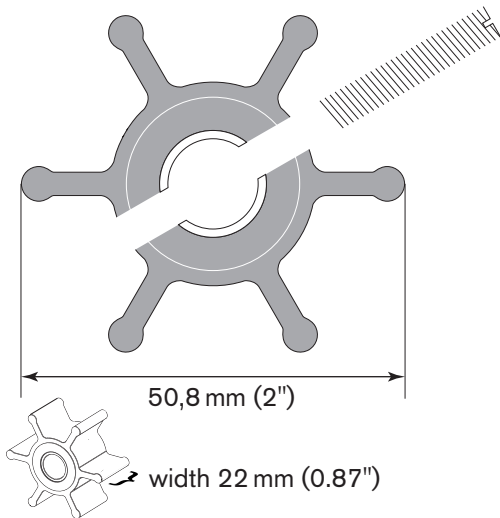
Impeller article number

09-808B-1

MC97 (for cooling)

replaces Jabsco 22405-0001

Europe & USA



F4

Impeller article number

09-810B-1

MC97 (for cooling)

replaces Jabsco 18653-0001

Europe & USA

Impeller article number

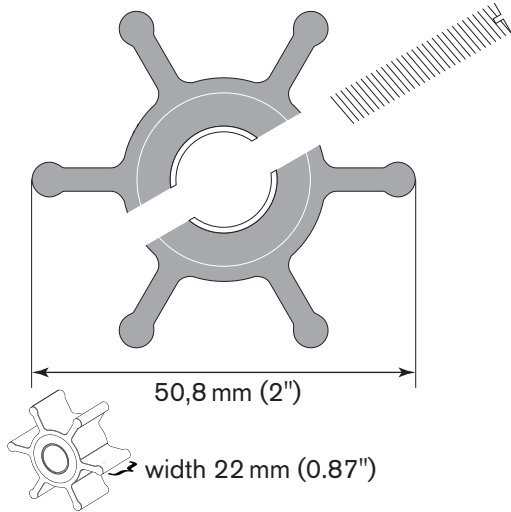
09-810B-9

Nitrile (oil resistant)

inner diameter 12 mm

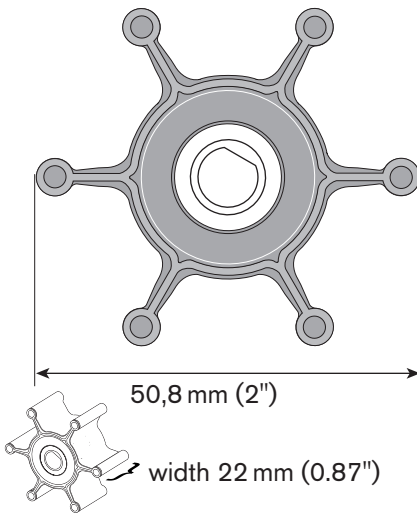
F4

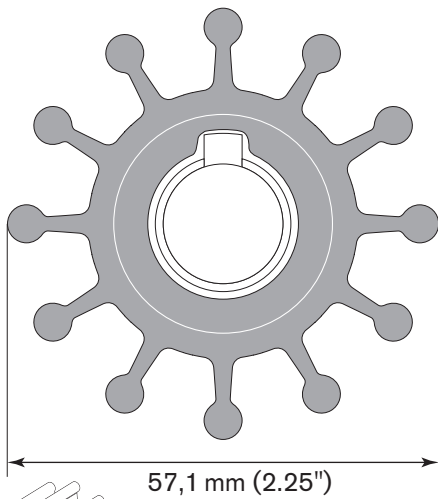
Impeller article number
09-1026B-1
MC97 (for cooling)
replaces Jabsco 673-0001
Europe & USA
Impeller article number
09-1026B-9
Nitrile (oil resistant)
replaces Jabsco 673-0003
Europe & USA
inner diameter 12,7 mm



F4

Impeller article number
09-824P-9
Nitrile (oil resistant)
replaces Jabsco 6303-0003
Europe & USA
Impeller article number
09-824P-1
MC97 (Ultra Ballast)





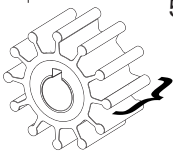
F5

Impeller article number

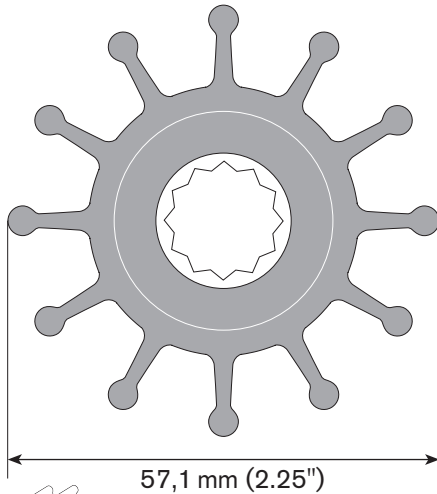
09-801B

Neoprene (for cooling)

replaces Jabsco 4568-0001



width 31,5 mm (1.24")



F5

Impeller article number

09-1027B-1

MC97 (for cooling)

replaces Jabsco 1210-0001

Europe & USA

Impeller article number

09-1027B-9

Nitrile (oil resistant)

replaces Jabsco 1210-0003

Europe & USA

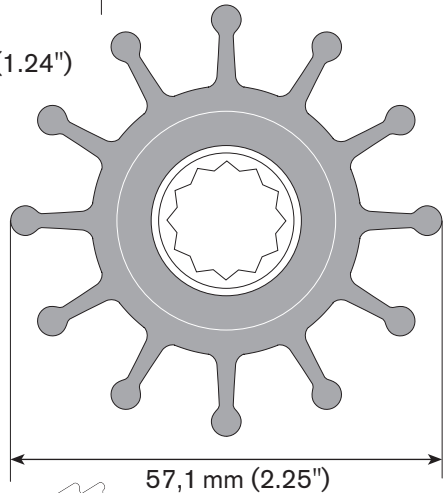
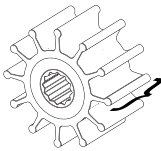
Impeller article number

09-1027B-10

MC97 (for cooling)

57,1 mm (2.25")

width 31,5 mm (1.24")



F6

Impeller article number

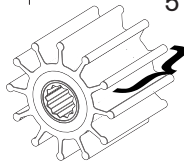
09-812B-1

MC97 (for cooling)

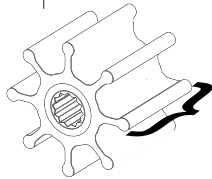
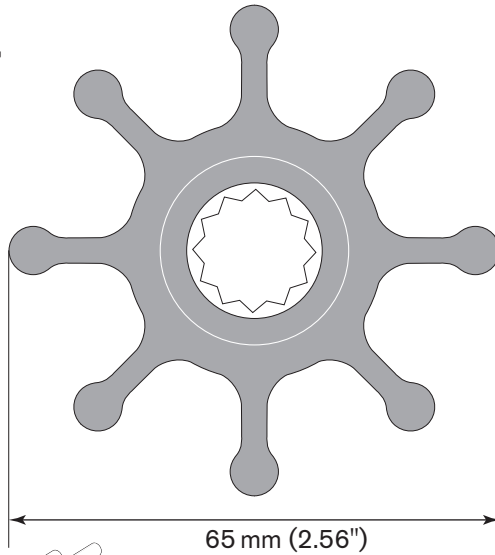
replaces Jabsco 13554-0001 USA

57,1 mm (2.25")

width 48,2 mm (1.9")



F7



width 50,2 mm (1.98")

Impeller article number

09-1028BT-1

MC97 (for cooling)

replaces Jabsco 17937-0001

Europe & USA

Impeller article number

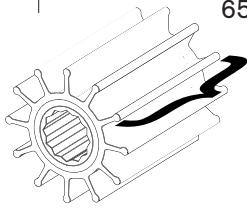
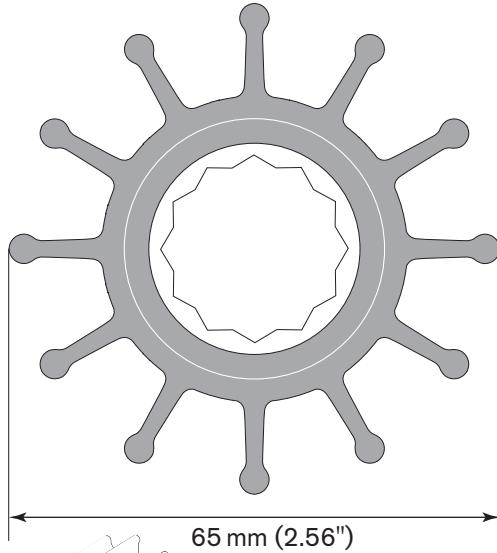
09-1028B-9

Nitrile (oil resistant)

replaces Jabsco 17937-0003

Europe&USA

F75



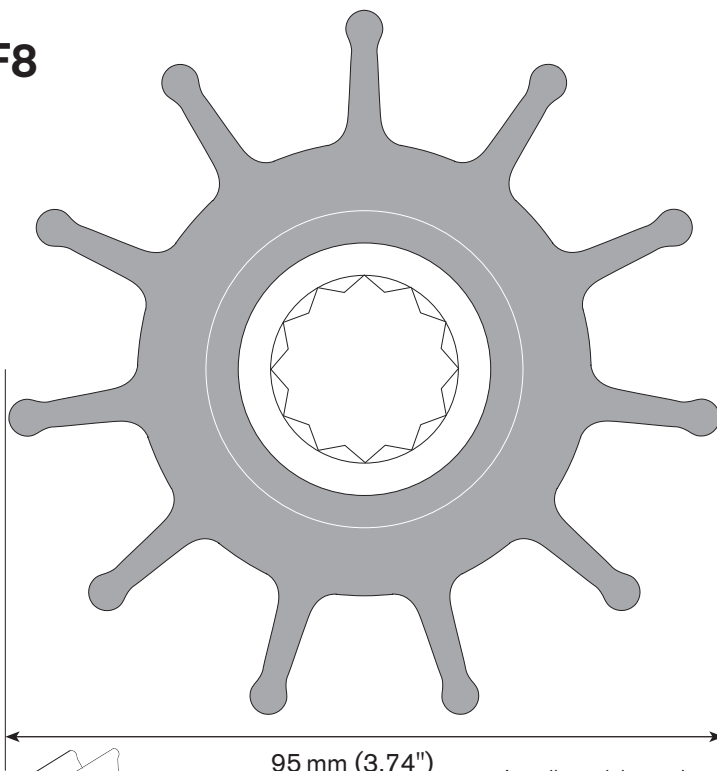
width 80 mm (3.15")

Impeller article number

09-821BT-1

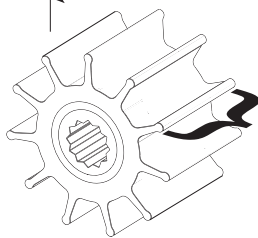
MC97 (for cooling)

F8



95 mm (3.74")

width 63 mm (2.48")



Impeller article number

09-819B

Neoprene (for cooling)

replaces Jabsco 836-0001 Europe

17935-0001 USA

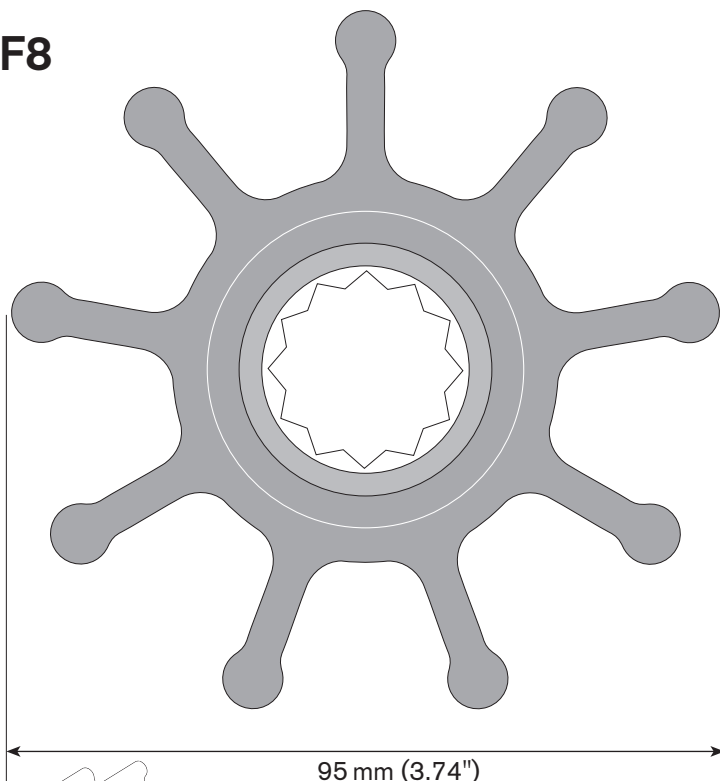
Impeller article number **09-819B-9**

Nitrile (oil resistant)

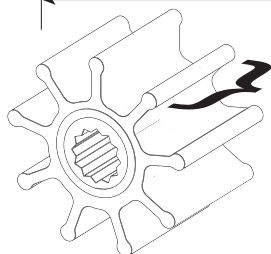
replaces Jabsco 836-0003 Europe

17935-0003 USA

F8



95 mm (3.74")



width 63 mm (2.48")

Impeller article number

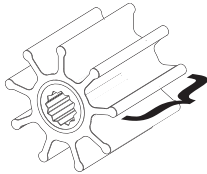
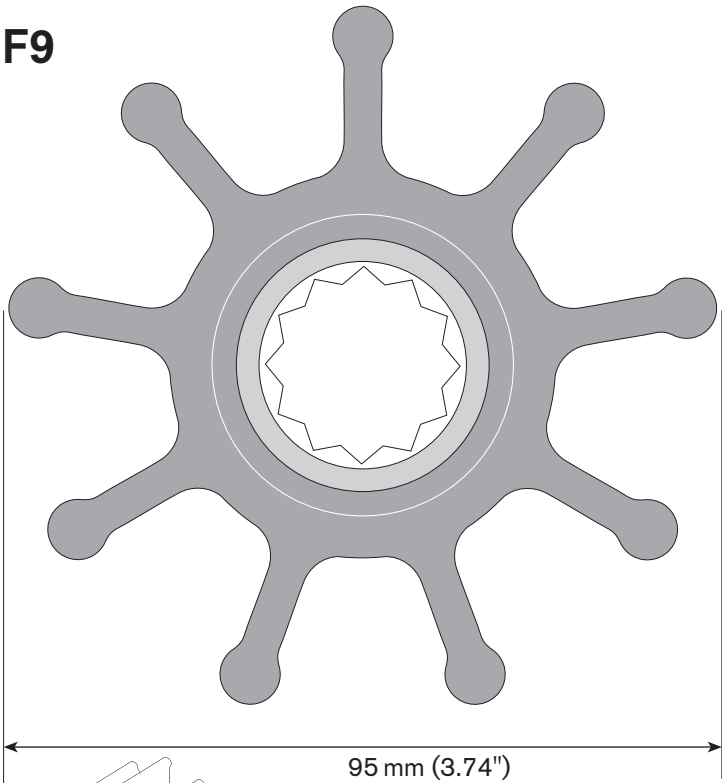
09-1029B

Neoprene (for cooling)

replaces Jabsco 836-0001 Europe

17935-001 USA

F9



width 88,5 mm (3.48")

Impeller article number

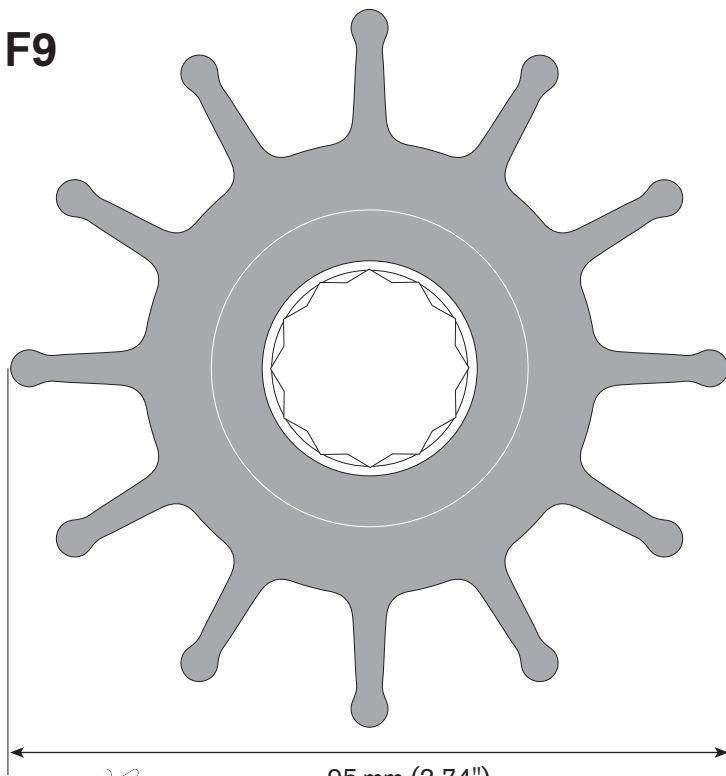
09-802B

Neoprene (for cooling)

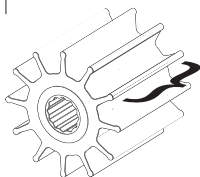
replaces Jabsco 6760-0001

Europe & USA

F9



95 mm (3.74")



width 88,5 mm (3.48")

Impeller article number

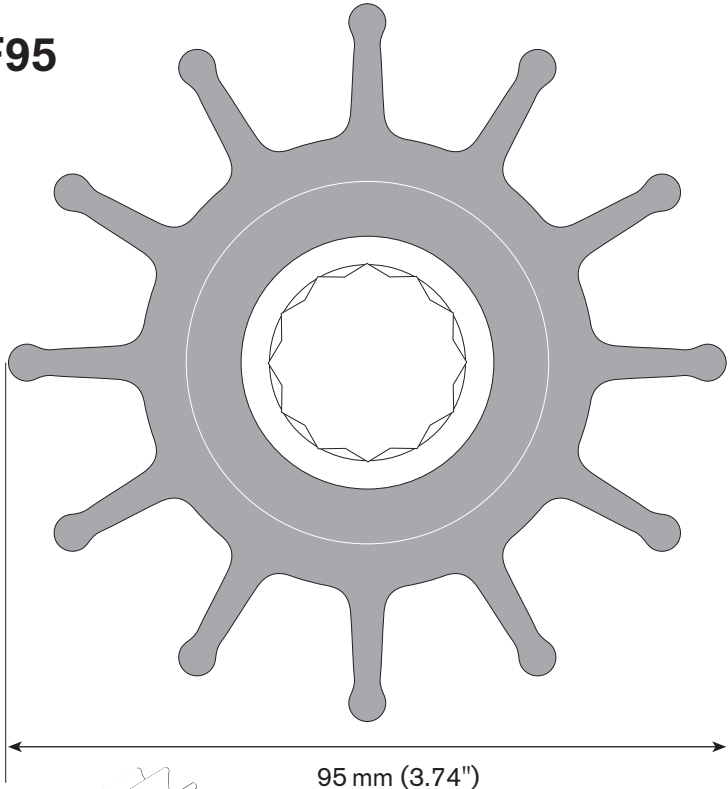
09-814B

Neoprene (for cooling)

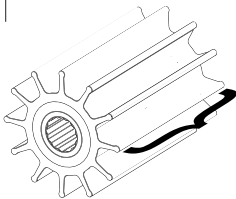
replaces Jabsco 21676-0001 Europe

17936-0001 USA

F95



95 mm (3.74")



width 130 mm (5.12")

Impeller article number

09-820B

Neoprene (for cooling)

SPX[®]