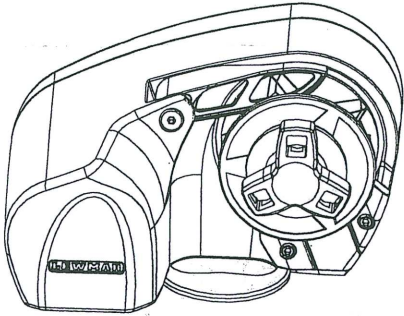


LEWMAR

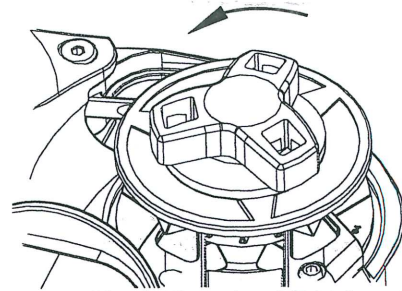
PRO-FISH CONVERSION KIT FITTING INSTRUCTIONS

Warning:- Isolate windlass electrically before carrying out any maintenance work.
Remove chain from Gypsy & tie off the rode securely before releasing clutch nut.

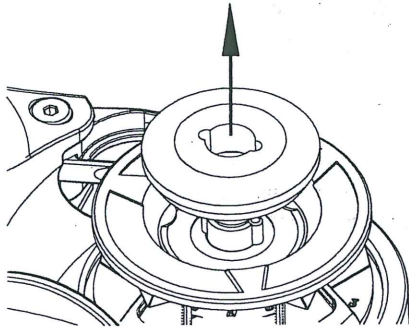
Pre fitting check:- Ensure plunger is free to move in & out and can be locked in the in position.



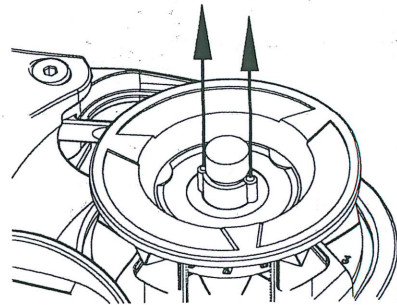
1. Check serial number of Pro-Series unit to ensure it is compatible with the Upgrade Kit. Only Serial No's 5*10610*** (Oct 2006) or later can have the Pro-fish kits added.



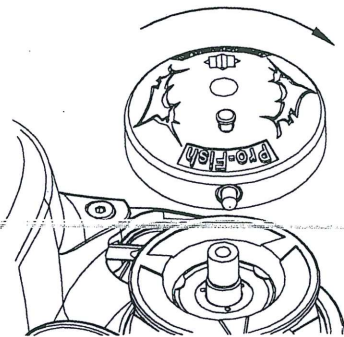
2. Undo the Clutch Nut using 1/2 inch ratchet and or the Pro-Series winch handle & unscrew by hand.
Note You can only use the Pro-fish upgrade kit if there is a threaded hole in the end of the shaft.



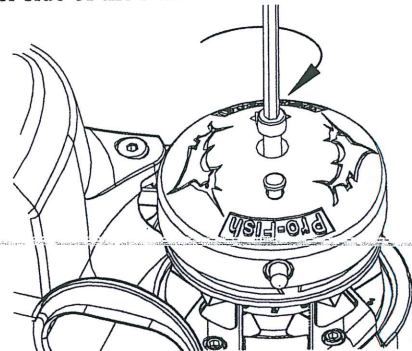
3. Remove the Gypsy Cone from the Main Shaft.



4. Remove the two Drive Pins from the key ways on either side of the Main Shaft.



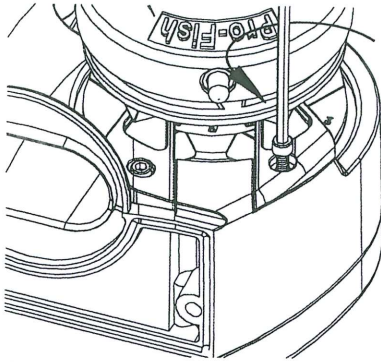
5. Lightly grease the exposed end of the Main Shaft & gypsy / cone interface, making sure you **do not** get grease in the threaded hole in the end of the shaft. Place Pro-fish Cap assembly onto the Shaft and screw down by hand.



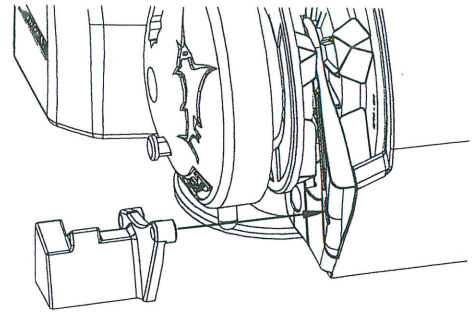
6. Place the Brass Washer onto the Shoulder Screw. Put Loctite (not supplied) onto thread of bolt and fit into the end of the Main Shaft. Tighten up using allen key provided (15Nm, 111bf/ft) . Allow at least **15mins** for Loctite to cure before use.

LEWMAR

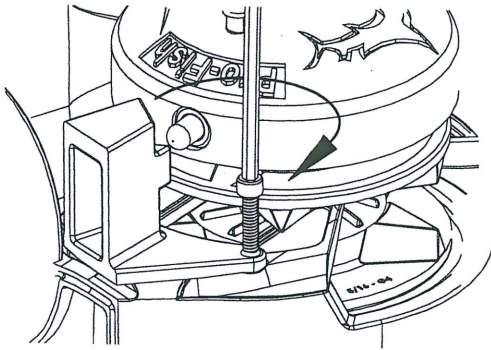
PRO-FISH CONVERSION KIT FITTING INSTRUCTIONS



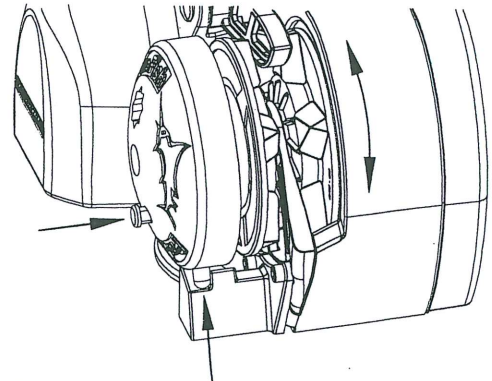
7. Undo & remove Stripper Screws using allen key provided.



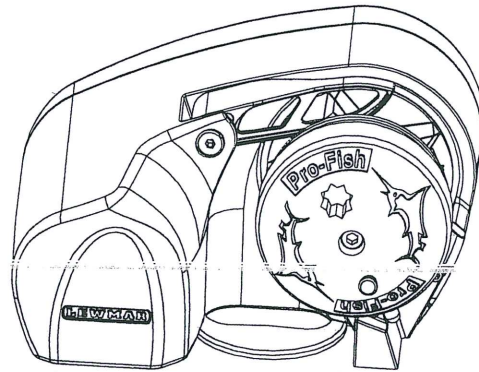
8. Place the Pro-fish Cam onto the assembly.



9. Fix Stripper & Cam into place using two new longer screws supplied. Use Loctite (not supplied) on the threads of the screws prior to fitting them. Allow at least **15mins** for Loctite to cure before use.



10. Check the 'freefall' feature by loosening the Pro-fish Cap & spinning the Gypsy with your hands. The Gypsy should be able to spin freely.



11. Run the unit a few times to ensure the 'freefall' mechanism is working properly prior to fitting the rode.

NOTE:- Use Loctite 638, 262 or 2701 (not supplied).