

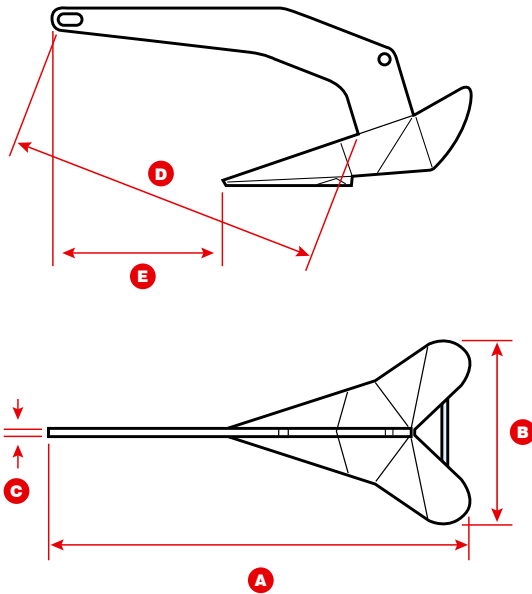
Delta® Anchor

Selection guide

	ANCHOR WEIGHT		BOAT LENGTH OVERALL							
	kg	lb	6 m 20 ft	9.2 m 30 ft	12.2 m 40 ft	15.2 m 50 ft	18.3 m 60 ft	21.3 m 70 ft	24.4 m 80 ft	27.4 m 90 ft
Delta®	4	9								
Delta®	6	14								
Delta®	10	22								
Delta®	16	35								
Delta®	20	44								
Delta®	25	55								
Delta®	32	70								
Delta®	40	88								
Delta®	50	110								
Delta®	63	140								

Lighter shading represents the upper limit of model. If in doubt, move up a model.
This information is for guidance only, please consult the relevant Classification Society for specific certification requirements.

Dimensions Diagram



Galvanized Delta® Anchor



Stainless Steel Delta® Anchor

Delta® Anchor Stainless and Galvanised Specifications

GALVANIZED Part No.	STAINLESS Part No.	ANCHOR WEIGHT		RECOMMENDED CHAIN SIZE		A		B		C		D		E	
		kg	lb	mm	in	mm	in	mm	in	mm	in	mm	in	mm	in
0057404		4	9	6-7	¼	514	20¼	230	9	8	⅝	387	15¼	210	8¼
0057406	0057306	6	14	6-7	¼	593	23¾	265	10¾	10	¾	450	17¾	243	9½
0057410	0057310	10	22	8	⅝	695	27¾	310	12¼	13	½	526	20¾	282	11⅝
0057416	0057316	16	35	8	⅝	812	32	362	14¼	13	½	614	24⅝	328	13
0057420	0057320	20	44	10	¾	877	34½	392	15¾	16	⅝	663	26⅝	357	14
0057425	0057325	25	55	10	¾	945	37¼	415	16¾	16	¾	713	28	387	15¼
0057432	0057332	32	70	10	¾	1023	40¼	453.5	17¾	20	¾	775	30½	425	16¾
0057440	0057340	40	88	10	¾	1103	43½	489	19¼	20	¾	883	32¾	437	17¼
0057450	0057350	50	110	12	½	1175	46¼	523	20½	20	¾	890	35	479	18¾
0057463	0057363	63	140	12	½	1270	50	567	20¾	22	⅞	963	38	508	20