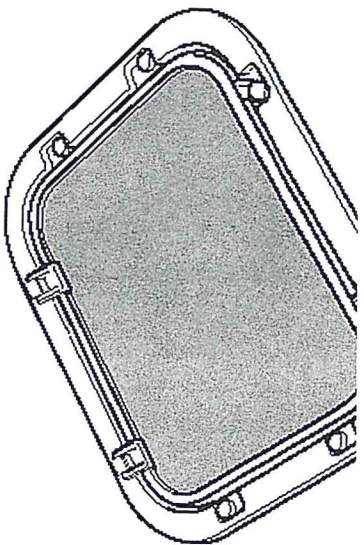


Hatch Flyscreen Fitting Instructions

B2184 Issue E



L E W M A R[®]

Retro-fit Flyscreen Fitting Instructions (Trim in Position)

B2184 Issue E

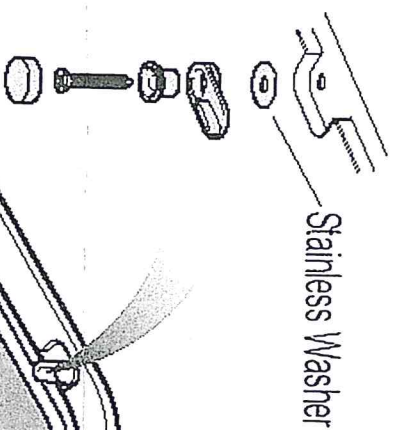


fig. 1

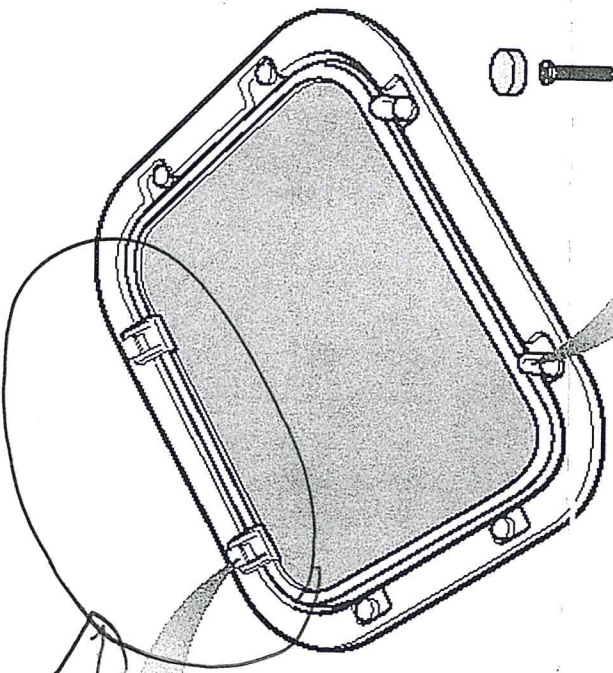
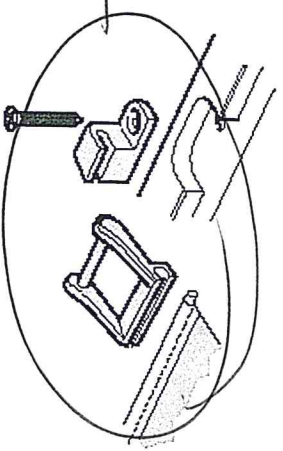


fig. 2

2. FRAME HINGE

Unscrew original spacers and caps. Replace with new hinge bracket assembly. See fig. 2.



3. LOCKING

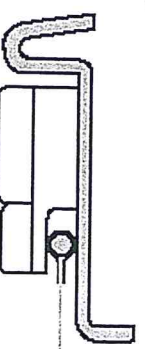
The flyscreen is held by placing its mesh face towards the trim and rotating the locks 45 degrees to hold; see fig. 3

USER NOTES



- Use soapy water and a soft cloth. **Do not** under any circumstances use solvent cleaners.
- When the flyscreen is not in use, place in a safe area to protect the mesh.

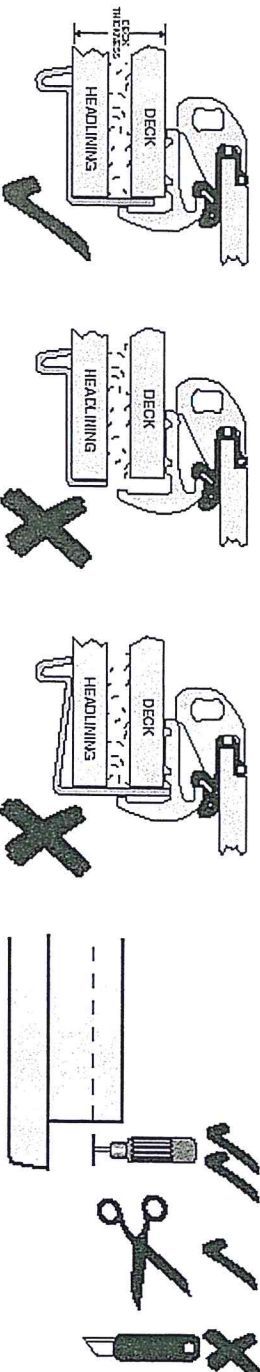
fig. 3



1. TRIM MOLDING

Adjust the trim molding to suit your deck thickness, see fig. 1 below, by cutting the inner edge only.

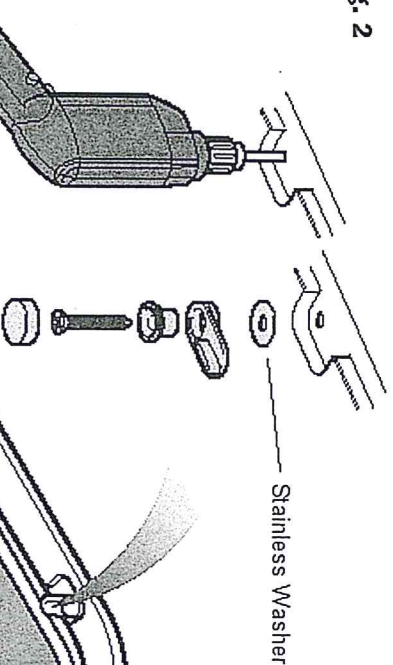
fig. 1



2. LOCK & SPACER

Position the trim under the hatch. Using the holes in the trim as guides, drill 4mm or (5/32") holes for the fastenings. Assemble the locks as shown, see fig 2, and fasten with the screws provided. Tighten the screws but ensure that the locks can still swivel. Repeat with the spacer only in the areas shown, see fig 3.

fig. 2



3. FRAME HINGE

Position the trim under the hatch. Using the holes in the trim as guides, drill 4mm or (5/32") holes for the fastenings. Fasten the hinge bracket. Affix the hinge over the flyscreen and clip to the hinge bracket, see fig 4.

fig. 3

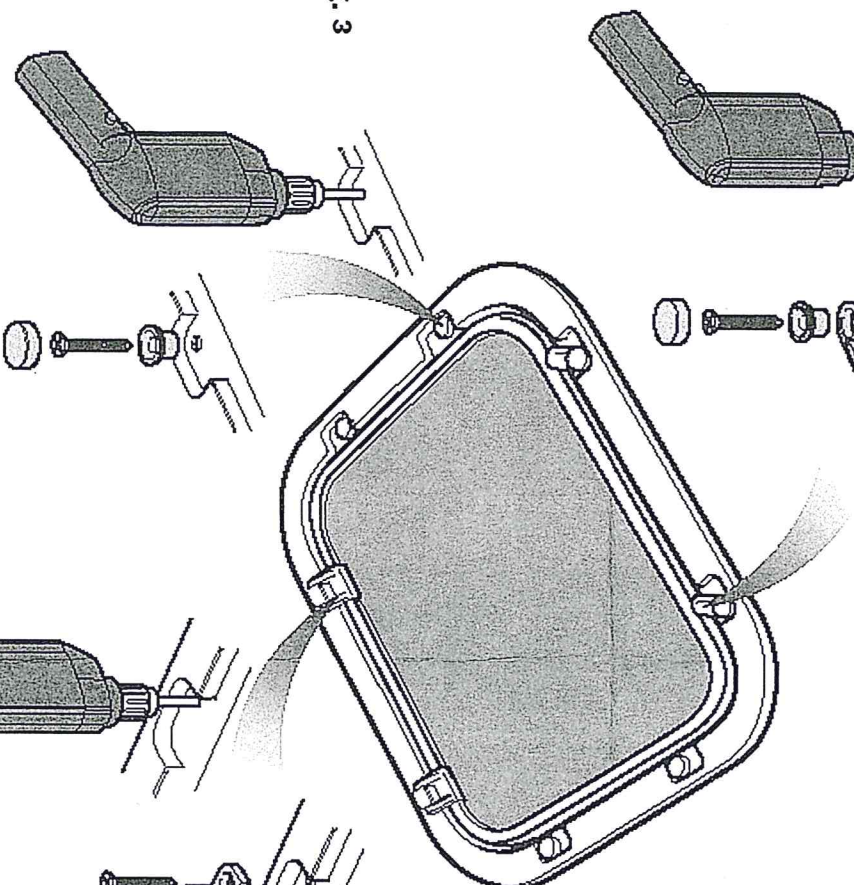
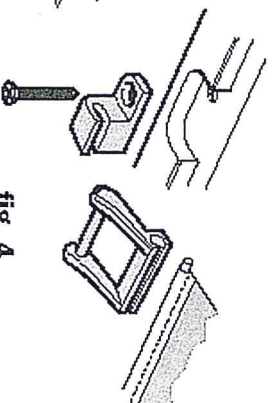


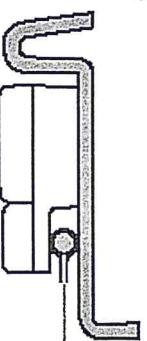
fig. 4



4. LOCKING

The flyscreen is held by placing its mesh face towards the trim and rotating the locks 45 degrees to hold, see fig. 5

fig. 5



USER NOTES

- Use soapy water and a soft cloth. **Do not** under any circumstances use solvent cleaners.
- When the flyscreen is not in use, place in a safe area to protect the mesh.

