

LEWMAR®

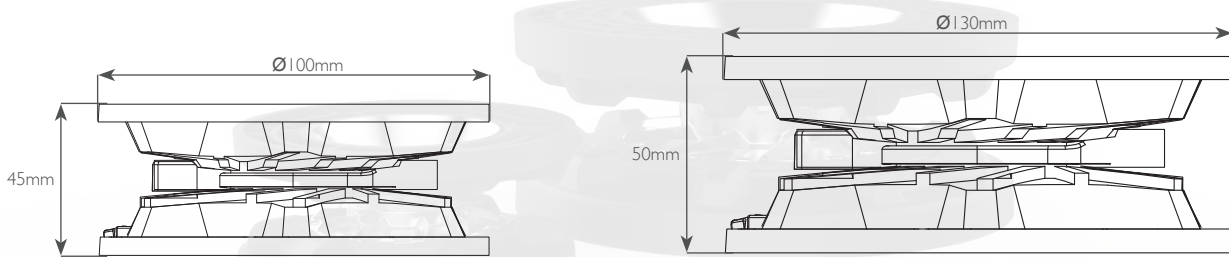
NEW WINDLASS RANGE



Hybrid Polymer Gypsy

Lewmar has developed a Patent Pending hybrid gypsy, which uses a metal anchor warp core together with a polymer chain wheel. This combination offers a light-weight and quiet solution that ensures a smooth operation, while still offering the long-life durability of the traditional metal gypsy.

The polymer chain wheel allows the anchor rode chain to bed-in, creating a jump free quieter operation, while the metal anchor warp core grips the warping during deployment and retrieval of the anchor rode such as with a conventional Gypsies.



VXI

GYPSY NUMBER	GYPSY	CHAIN DESCRIPTION	ROPE DESCRIPTION		ROPE TYPE
			MM	IN	
68100034	6/7mm 1/4"	6mm DIN766, 6mm ISO4565, 7mm DIN766, 7mm ISO4565 1/4" ACCO ISO G43 (G4) 1/4" ACCO BBB (3B)	12 - 16	1/2 - 5/8	3-strand and 8-plait (5/8" only)
68100033	8mm 5/16"	8mm DIN766, 8mm ISO4565, 5/16" ACCO ISO G43 (G4)	12 - 16	1/2 - 5/8	3-strand and 8-plait (5/8" only)

VX2/3

GYPSY NUMBER	GYPSY	CHAIN DESCRIPTION	ROPE DESCRIPTION		ROPE TYPE
			MM	IN	
68120040	6/7mm 1/4"	6mm DIN766, 6mm ISO4565, 7mm DIN766, 1/4" ACCO ISO G43 (G4) 1/4" ACCO BBB (3B)	12 - 16	1/2 - 5/8	3-strand and 8-plait (5/8" only)
68120041	8mm 5/16"	8mm DIN766, 8mm ISO4565, 5/16" ACCO ISO G43 (G4)	12 - 16	1/2 - 5/8	3-strand and 8-plait (5/8" only)
68120042	10mm DIN	10mm DIN766, 5/16" Campbell S3, 3/8" Campbell S4, 9.5mm G40	12 - 16	1/2 - 5/8	3-strand and 8-plait (5/8" only)
68120043	10mm ISO	10mm ISO4565, 5/16" Campbell S3, Lewmar 9.5mm G40	12 - 16	1/2 - 5/8	3-strand and 8-plait (5/8" only)

HXI

GYPSY NUMBER	GYPSY	CHAIN DESCRIPTION	ROPE DESCRIPTION		ROPE TYPE
			MM	IN	
68140009	6/7mm 1/4"	6mm DIN766, 6mm ISO4565, 7mm DIN766, 7mm ISO4565 1/4" ACCO ISO G43 (G4) 1/4" ACCO BBB (3B)	12 - 16	1/2 - 5/8	3-strand and 8-plait (5/8" only)
68140010	8mm 5/16"	8mm DIN766, 8mm ISO4565, 5/16" ACCO ISO G43 (G4)	12 - 16	1/2 - 5/8	3-strand and 8-plait (5/8" only)

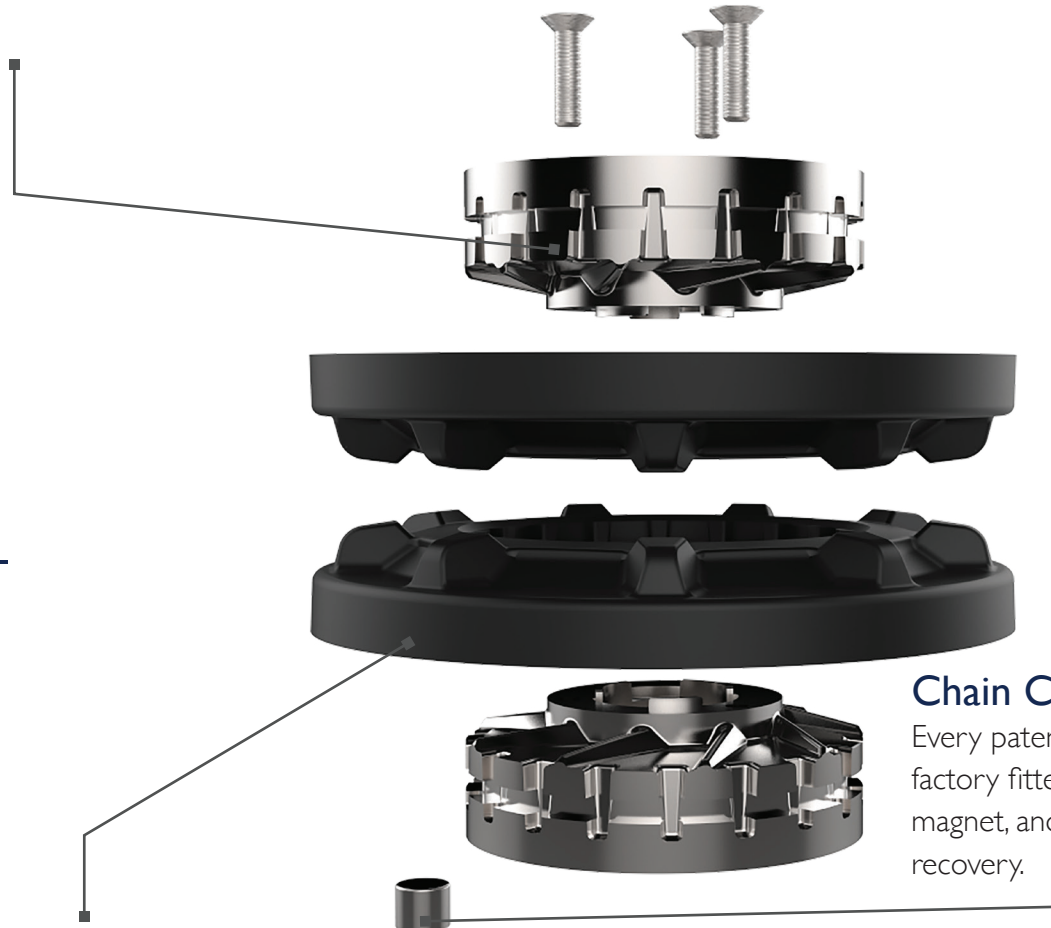
Hybrid Polymer Gypsy

The Lewmar Patent Pending hybrid gypsy, offers a 15% reduction in weight, 5% stronger and offer an endurance life to comparable all metal gypsies. The Hybrid Gypsies greatest attribute is the sound! Quieter than any other comparable gypsy on the market! offering the quietest anchoring to date.

4 sizes available in 6/7mm 1/4 inch, 8mm, 10mm DIN and 10mm ISO.

Brass - Nickel Plated Core

Brass - Nickel Plated Core wrap core which is to this day used on all existing gypsies from Lewmar,.



Chain Counter Magnet

Every patent pending hybrid gypsy is factory fitted with a chain counter magnet, and is available with manual recovery.

Hybrid Polymer Composite

Our engineering team are continually exploring, evaluating and testing new materials to ensure we offer cutting edge products that are lighter, stronger and optimised for best performance. The latest offering is the Hybrid Polymer Composite gypsy.



Testing

Endurance life test of the new patent pending hybrid gypsy and existing gypsy. 6000 operations/300KM at varying load to represent five years of use over a period of three weeks. one hybrid and one traditional gypsy have acted against each other at varying loads and line speeds, using a loop of 8mm chain. Using the thruster test tank the test equipment was subjected to the varying weather conditions

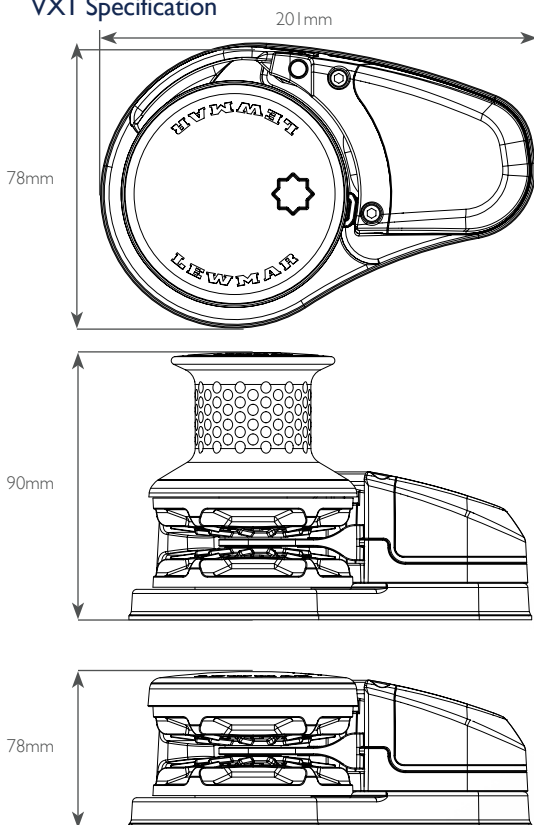
VX1 Vertical Windlass

During 2015, Lewmar undertook an aggressive development program to renew its market leading vertical windlass range. Our engineering team is continually exploring, evaluating and testing new materials to ensure we offer cutting edge products that are lighter, stronger and optimised for best performance.

The VX1 is the first in the expansive new range of windlass. Using a new product development team solely working on new ways to design, develop and manufacture, Lewmar has been able to offer new age technologies to refine our windlass design. This makes our VX range lighter, stronger & more efficient than any competitor on the market.

The VX1 offers a maximum pull of 675kg, for boats up to 40ft. 2 gypsy options to choose from 6/7mm 1/4" & 8mm 5/16

VX1 Specification



Deck Spacer Kits

15mm VX1 & VX2/3 deck spacer kit used for decks with a thickness of 10mm - 25mm.



	PART NO.
VX1/2/3	651000038

MODEL	MAX PULL		WORKING LOAD LIMIT		MAX LINE SPEED		NORMAL CURRENT DRAW Amp	CIRCUIT BREAKER Amp	APPROX WEIGHT GO		APPROX WEIGHT GD	
	kg	lb	kg	lb	m/min	ft/min			kg	lb	kg	lb
300W	400	882	100	220	25	82	66	50	12.5	28	13.5	30
500W	675	1488	169	373	25	82	126	70	12.5	28	13.5	30

Windlass performance values are tested using +/-10% 12 voltage simulating the operation parameters of an installed battery system of a boat

Deck unit

The Lewmar VX windlass range offers a new entry-level windlass product, giving the end user a stylish yet functional product at a competitive price point. Consisting of a cast aluminum core with composite outer and finished in a stainless steel pressing, giving the VXI its stylish design.

- Manual clutch release
- Drum option
- Stylish stainless steel and composite construction
- Same footprint as Lewmar VI model



IP67 Rated Motor Gear Box

This will be the first ingress protection cover that Lewmar has offered on the small windlass. This cover will be standard on all the new VX windlass range.

The new cover offer:

- Silicone sealant free assembly
- Orientation flexibility - can be set by the end user
- Self-Certified to Ingress Protection level 67 to EN 60529
- This new IP cover is not backwards compatible with any RMI40 gearbox and not available on the VI, CPX0 700w or CPXI windlasses.
- Motor sizes: 300W or 500W



Drum Option

For the VX we designed a completely new drum styled to suit the styling of the new range

The new drum is smaller, more compact, but still has the same line area for grip, offering the same performance as existing Lewmar drums.

VX2/3 Vertical Windlass

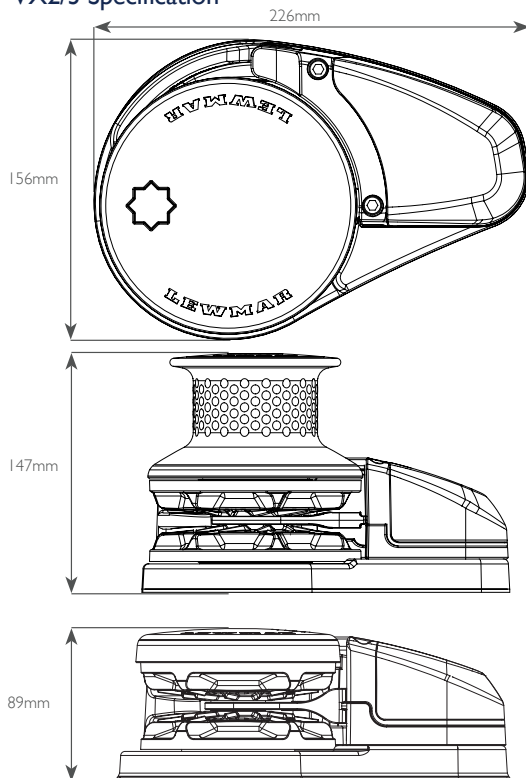
After the VX1 the natural progress for Lewmar was to create the VX2/3 for boat up to 48ft .Our engineering team are continually exploring, evaluating and testing new materials to ensure we offer cutting edge products that are lighter, stronger and optimised for best performance.

The VX2/3 offers a maximum pull of 1175kg, offering great performance and value for the 30ft to 48ft market range.

4 gypsy options to chose from 6/7mm 1/4", 8mm 5/16", 10mm DIN & 10mm ISO

The new VX2/3 windlasses feature IP67 rated motor housing as standard.

VX2/3 Specification



Manual Recovery Kits

- Available for VX2/3
- Kit compaitable with gypsy only & gypsy drum



	PART NO.
Gypsy Only	68120008
Gypsy Drum	68120009

MODEL	MOTOR POWER	VOLTAGE	MAX PULL		WORKING LOAD LIMIT		MAX LINE SPEED		NORMAL CURRENT DRAW Amp	CIRCUIT BREAKER Amp	APPROX WEIGHT GO		APPROX WEIGHT GD	
			kg	lb	kg	lb	m/min	ft/min			kg	lb	kg	lb
VX2	700W	12V	850	1874	213	470	29	95	120	90	13.9	31	14.9	33
VX2	900W	24V	850	1874	213	470	29	95	60	50	13.9	31	14.9	33
VX2+	1000W	12V	1025	2260	257	567	39	128	131	110	16.1	35	17.1	38
VX2+	1000W	24V	1025	2260	257	567	39	128	74	90	16.1	35	17.1	38
VX3	1500W	12V	1175	2590	294	648	40	131	132	110	16.1	35	17.1	38
VX3	1500W	24V	1175	2590	294	648	40	131	70	90	16.1	35	17.1	38

Windlass performance values are tested using +/-10% 12 voltage simulating the operation parameters of an installed battery system of a boat

Deck unit

The Lewmar VX windlass range offers a new entry-level windlass product, giving the end user a stylish yet functional product at a competitive price point. The extensive testing that has been done to ensure that the VX2/3 can outperform its rivals in the entry level market.

- Manual clutch release
- Gypsy Only option
- Stylish stainless steel and composite construction
- Same footprint as V2/3 model



IP67 Rated Motor Gear Box

Ingress protection cover offered as standard on the new VX2/3 windlass.

The new covers offer:

- Silicone sealant free assembly
- Orientation flexibility - can be set by the end user
- Self-Certified to Ingress Protection level 67 to EN 60529
- Motor sizes: 700W, 900W, 1000W & 1500W

Testing

Along with the extensive testing that has been completed on the new Hybrid gypsies, the VX windlass has been on the Lewmar test boat for the last year, undergoing performance test in some of the harshest conditions. This is to make sure the VX range lives up to the quality that people expect from Lewmar.



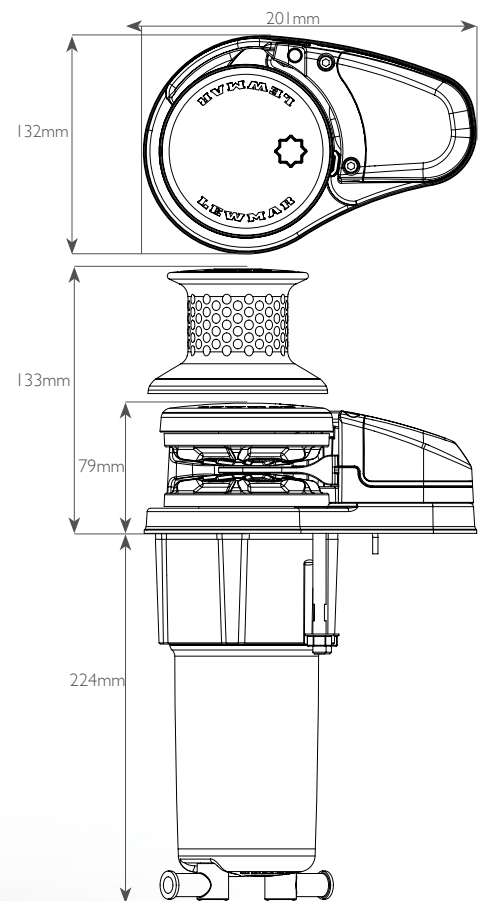
VXIL Vertical Windlass

VXIL offers the same design features as the rest of the VX range, but in a compact easy to install one piece unit. The VXIL model is fitted with an in-line motor and epicyclical gearbox which is a small, compact and efficient motor. The VXIL is a great replace for the V700 range at a competitive price range, without compromising performance.

The VXIL offers a maximum pull of 850kg, offering great performance and design for boats up to 36ft. The entire range of new VX windlasses features IP67 rated motor housing as standard.

- Manual clutch release
- Drum option
- Stylish stainless steel and composite construction
- Same footprint as V700 model
- 500W & 800W 12v motors available

VXIL Specification



MODEL	MAX PULL		WORKING LOAD LIMIT		MAX LINE SPEED		NORMAL CURRENT DRAW Amp	CIRCUIT BREAKER Amp	APPROX WEIGHT GO		APPROX WEIGHT GD	
	kg	lb	kg	lb	m/min	ft/min			kg	lbs	kg	lb
500W	650	1433	160	352	20	60	75	50	10	22	10.5	24
800W	900	1984	225	496	21	63	105	70	10	22	10.5	24

Windlass performance values are tested using +/-10% 12 voltage simulating the operation parameters of an installed battery system of a boat

HXI Horizontal Windlass

Lewmar is launching a new range of stylish, strong and reliable horizontal windlasses using the latest inline motors and epicyclical gearbox. Strong and durable anodized aluminum chassis designed to withstand years of use. The covers are available in a choice of materials polymer or anodized aluminum.

2 gypsy options to choose from 6/7mm 1/4" & 8mm 5/16"

The new HXI is available in Gypsy only, Gypsy drum, & Our generation 2 Pro-Fish mechanism.

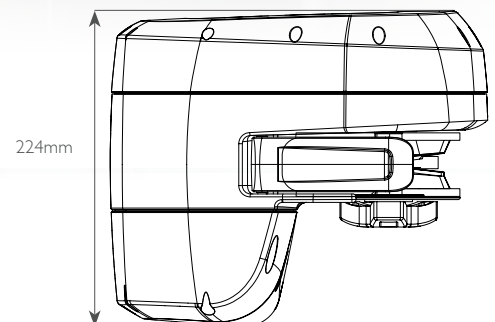
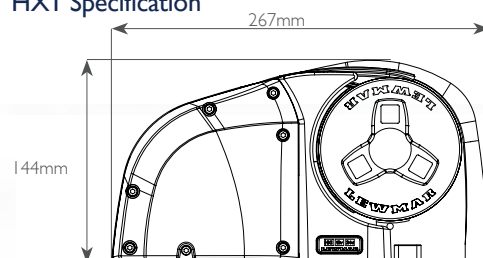
- Motor range 500W & 800W in 12V
- High efficiency epicyclical gearbox
- Sealed waterproof unit requires minimum maintenance; (IP67 Rated)
- Anodized aluminum chassis with a choice of polymer or anodized aluminum covers
- IP67 rated as standard
- Quiet operation
- 2 models available to suit calibrated chain
 - 6/7mm, 1/4"
 - 8mm



HXI Free Fall Conversion Kit



HXI Specification



MODEL	MAX PULL		WORKING LOAD LIMIT		MAX LINE SPEED		NORMAL CURRENT DRAW Amp	CIRCUIT BREAKER Amp	APPROX WEIGHT GO		APPROX WEIGHT GD	
	kg	lb	kg	lb	m/min	ft/min			kg	lbs	kg	lb
500W	650	1433	160	352	20	60	75	50	11	24	11.5	25
800W	900	1984	225	496	21	63	105	70	11	24	11.5	25

+0.5kg for aluminum covers

Windlass performance values are tested using +/-10% 12 voltage simulating the operation parameters of an installed battery system of a boat



Part Numbers

Lewmar is launching the new range of windlasses In two kit packs

- VX Standard windlass kit includes Deck unit, Motor gearbox, Solenoid and Gypsy
- VX Extended windlass kit includes Deck unit, Motor gearbox, Solenoid, Rocker switch, Circuit Breaker and Gypsy

VX1 Vertical Windlass

VX1 Standard Windlass Kits

PART NUMBER	DESCRIPTION
69100020	VX1 GO Deck Unit 6/7MM st/st 300w
69100021	VX1 GO Deck Unit 6/7MM st/st 500w
69100022	VX1 GO Deck Unit 8MM st/st 300w
69100023	VX1 GO Deck Unit 8MM st/st 500w
69100024	VX1 GD Deck Unit 6/7MM st/st 300w
69100025	VX1 GD Deck Unit 6/7MM st/st 500w
69100026	VX1 GD Deck Unit 8MM st/st 300w
69100027	VX1 GD Deck Unit 8MM st/st 500w

VX1 Extended Windlass Kits

PART NUMBER	DESCRIPTION
69100030	VX1 GO Deck Unit 6/7MM st/st 300w
69100031	VX1 GO Deck Unit 6/7MM st/st 500w
69100032	VX1 GO Deck Unit 8MM st/st 300w
69100033	VX1 GO Deck Unit 8MM st/st 500w
69100034	VX1 GD Deck Unit 6/7MM st/st 300w
69100035	VX1 GD Deck Unit 6/7MM st/st 500w
69100036	VX1 GD Deck Unit 8MM st/st 300w
69100037	VX1 GD Deck Unit 8MM st/st 500w

VX2/3 Vertical Windlass

VX2 Standard Windlass Kits

PART NUMBER	DESCRIPTION
69120020	VX2 GO 6/7mm Gypsy 12v
69120021	VX2 GO 6/7mm Gypsy 24v
69120022	VX2 GO 8mm Gypsy 12v
69120023	VX2 GO 8mm Gypsy 24v
69120024	VX2 GO 10din Gypsy 12v
69120025	VX2 GO 10din Gypsy 24v
69120026	VX2 GO 10iso Gypsy 12v
69120027	VX2 GO 10iso Gypsy 24v
69120050	VX2 GD 6/7mm Gypsy 12v
69120051	VX2 GD 6/7mm Gypsy 24v
69120052	VX2 GD 8mm Gypsy 12v
69120053	VX2 GD 8mm Gypsy 24v
69120054	VX2 GD 10din Gypsy 12v
69120055	VX2 GD 10din Gypsy 24v
69120056	VX2 GD 10iso Gypsy 12v
69120057	VX2 GD 10iso Gypsy 24v

VX2+ Standard Windlass Kits

PART NUMBER	DESCRIPTION
69120030	VX2+ GO 6/7mm Gypsy 12v
69120031	VX2+ GO 6/7mm Gypsy 24v
69120032	VX2+ GO 8mm Gypsy 12v
69120033	VX2+ GO 8mm Gypsy 24v
69120034	VX2+ GO 10din Gypsy 12v
69120035	VX2+ GO 10din Gypsy 24v
69120036	VX2+ GO 10iso Gypsy 12v
69120037	VX2+ GO 10iso Gypsy 24v
69120060	VX2+ GD 6/7mm Gypsy 12v
69120061	VX2+ GD 6/7mm Gypsy 24v
69120062	VX2+ GD 8mm Gypsy 12v
69120063	VX2+ GD 8mm Gypsy 24v
69120064	VX2+ GD 10din Gypsy 12v
69120065	VX2+ GD 10din Gypsy 24v
69120066	VX2+ GD 10iso Gypsy 12v
69120067	VX2+ GD 10iso Gypsy 24v

VX3 Standard Windlass Kits

PART NUMBER	DESCRIPTION
69120040	VX3 GO 6/7mm Gypsy 12v
69120041	VX3 GO 6/7mm Gypsy 24v
69120042	VX3 GO 8mm Gypsy 12v
69120043	VX3 GO 8mm Gypsy 24v
69120044	VX3 GO 10din Gypsy 12v
69120045	VX3 GO 10din Gypsy 24v
69120046	VX3 GO 10iso Gypsy 12v
69120047	VX3 GO 10iso Gypsy 24v
69120070	VX3 GD 6/7mm Gypsy 12v
69120071	VX3 GD 6/7mm Gypsy 24v
69120072	VX3 GD 8mm Gypsy 12v
69120073	VX3 GD 8mm Gypsy 24v
69120074	VX3 GD 10din Gypsy 12v
69120075	VX3 GD 10din Gypsy 24v
69120076	VX3 GD 10iso Gypsy 12v
69120077	VX3 GD 10iso Gypsy 24v

VX2 Extended Windlass Kits

PART NUMBER	DESCRIPTION
69120080	VX2 GO 6/7mm Gypsy 12v
69120081	VX2 GO 6/7mm Gypsy 24v
69120082	VX2 GO 8mm Gypsy 12v
69120083	VX2 GO 8mm Gypsy 24v
69120084	VX2 GO 10din Gypsy 12v
69120085	VX2 GO 10din Gypsy 24v
69120086	VX2 GO 10iso Gypsy 12v
69120087	VX2 GO 10iso Gypsy 24v
69120110	VX2 GD 6/7mm Gypsy 12v
69120111	VX2 GD 6/7mm Gypsy 24v
69120112	VX2 GD 8mm Gypsy 12v
69120113	VX2 GD 8mm Gypsy 24v
69120114	VX2 GD 10din Gypsy 12v
69120115	VX2 GD 10din Gypsy 24v
69120116	VX2 GD 10iso Gypsy 12v
69120117	VX2 GD 10iso Gypsy 24v

VX2+ Extended Windlass Kits

PART NUMBER	DESCRIPTION
69120090	VX2+ GO 6/7mm Gypsy 12v
69120091	VX2+ GO 6/7mm Gypsy 24v
69120092	VX2+ GO 8mm Gypsy 12v
69120093	VX2+ GO 8mm Gypsy 24v
69120094	VX2+ GO 10din Gypsy 12v
69120095	VX2+ GO 10din Gypsy 24v
69120096	VX2+ GO 10iso Gypsy 12v
69120097	VX2+ GO 10iso Gypsy 24v
69120120	VX2+ GD 6/7mm Gypsy 12v
69120121	VX2+ GD 6/7mm Gypsy 24v
69120122	VX2+ GD 8mm Gypsy 12v
69120123	VX2+ GD 8mm Gypsy 24v
69120124	VX2+ GD 10din Gypsy 12v
69120125	VX2+ GD 10din Gypsy 24v
69120126	VX2+ GD 10iso Gypsy 12v
69120127	VX2+ GD 10iso Gypsy 24v

VX3 Extended Windlass Kits

PART NUMBER	DESCRIPTION
69120100	VX3 GO 6/7mm Gypsy 12v
69120101	VX3 GO 6/7mm Gypsy 24v
69120102	VX3 GO 8mm Gypsy 12v
69120103	VX3 GO 8mm Gypsy 24v
69120104	VX3 GO 10din Gypsy 12v
69120105	VX3 GO 10din Gypsy 24v
69120106	VX3 GO 10iso Gypsy 12v
69120107	VX3 GO 10iso Gypsy 24v
69120130	VX3 GD 6/7mm Gypsy 12v
69120131	VX3 GD 6/7mm Gypsy 24v
69120132	VX3 GD 8mm Gypsy 12v
69120133	VX3 GD 8mm Gypsy 24v
69120134	VX3 GD 10din Gypsy 12v
69120135	VX3 GD 10din Gypsy 24v
69120136	VX3 GD 10iso Gypsy 12v
69120137	VX3 GD 10iso Gypsy 24v

VXIL Vertical Windlass

VXIL Standard Windlass Kits

PART NUMBER	DESCRIPTION
69100050	VXIL GO 500 6/7mm STD KIT
69100051	VXIL GO 800 6/7mm STD KIT
69100052	VXIL GO 500 8mm STD KIT
69100053	VXIL GO 800 8mm STD KIT
69100054	VXIL GD 500 6/7mm STD KIT
69100055	VXIL GD 800 6/7mm STD KIT
69100056	VXIL GD 500 8mm STD KIT
69100057	VXIL GD 800 8mm STD KIT

VXIL Extended Windlass Kits

PART NUMBER	DESCRIPTION
69100060	VXIL GO 500 6/7mm EXTD KIT
69100061	VXIL GO 800 6/7mm EXTD KIT
69100062	VXIL GO 500 8mm EXTD KIT
69100063	VXIL GO 800 8mm EXTD KIT
69100064	VXIL GD 500 6/7mm EXTD KIT
69100065	VXIL GD 800 6/7mm EXTD KIT
69100066	VXIL GD 500 8mm EXTD KIT
69100067	VXIL GD 800 8mm EXTD KIT

- VXIL Basic windlass kit includes Deck unit and inline motor gearbox, Solenoid and Gypsy
- VXIL Extended windlass kit includes Deck unit and inline motor gearbox, Solenoid, Rocker switch, Circuit Breaker and Gypsy

HXI Horizontal Windlass

HXI Standard Windlass Kits

PART NUMBER	DESCRIPTION
69140001	HXI GO 500 6/7mm STD KIT
69140002	HXI GO 800 6/7mm STD KIT
69140003	HXI GO 500 8mm STD KIT
69140004	HXI GO 800 8mm STD KIT
69140005	HXI GD 500 6/7mm STD KIT
69140006	HXI GD 800 6/7mm STD KIT
69140007	HXI GD 500 8mm STD KIT
69140008	HXI GD 800 8mm STD KIT
69140013	HXIAL GO 500 6/7mm STD KIT
69140014	HXIAL GO 800 6/7mm STD KIT
69140015	HXIAL GO 500 8mm STD KIT
69140016	HXIAL GO 800 8mm STD KIT
69140017	HXIAL GD 500 6/7mm STD KIT
69140018	HXIAL GD 800 6/7mm STD KIT
69140019	HXIAL GD 500 8mm STD KIT
69140020	HXIAL GD 800 8mm STD KIT

HXI Extended Windlass Kits

PART NUMBER	DESCRIPTION
69140030	HXI GO 500 6/7mm EXTD KIT
69140031	HXI GO 800 6/7mm EXTD KIT
69140032	HXI GO 500 8mm EXTD KIT
69140033	HXI GO 800 8mm EXTD KIT
69140034	HXI GD 500 6/7mm EXTD KIT
69140035	HXI GD 800 6/7mm EXTD KIT
69140036	HXI GD 500 8mm EXTD KIT
69140037	HXI GD 800 8mm EXTD KIT
69140042	HXIAL GO 500 6/7mm EXTD KIT
69140043	HXIAL GO 800 6/7mm EXTD KIT
69140044	HXIAL GO 500 8mm EXTD KIT
69140045	HXIAL GO 800 8mm EXTD KIT
69140046	HXIAL GD 500 6/7mm EXTD KIT
69140047	HXIAL GD 800 6/7mm EXTD KIT
69140048	HXIAL GD 500 8mm EXTD KIT
69140049	HXIAL GD 800 8mm EXTD KIT

- HXI Basic windlass kit includes HXI with intergrated motor gearbox, Solenoid and Gypsy
- HXI Extended windlass kit includes HXI with intergrated motor gearbox, Solenoid, Rocker switch, Read switch, Circuit Breaker and Gypsy





LEWMAR®

UK

Southmoor Lane,
Havant, Hampshire,
PO9 1JJ

UK

Tel: +44 (0) 2392 471841

Fax: +44 (0) 2392 485720

US

351 New Whitfield Street,
Guilford
CT 06437

USA

Tel: +1 203 458 6200

Fax: +1 203 458 2270



w w w . l e w m a r . c o m