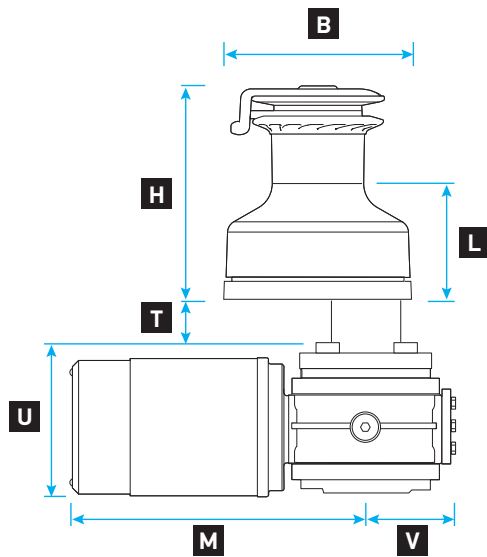


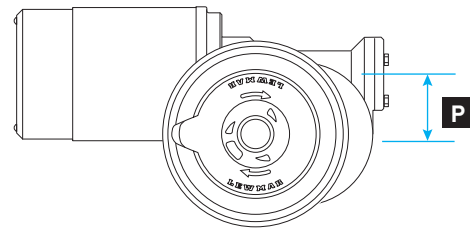


## 5. Winches

### Electric Winch Dimensions



When installing a winch, Lewmar recommends the winch be mounted on a level surface and that the rope enters the drum at an angle of 5° to 10° to the base axis of the winch. This angle can be achieved by using a base wedge when mounting the winch.



WINCH SIZE	<b>H</b> HEIGHT		<b>L</b> LINE ENTRY		<b>M</b>		<b>P</b>		<b>T</b>		<b>U</b>		<b>V</b>		<b>B</b> BASE DIA	
	mm	in	mm	in	mm	in	mm	in	mm	in	mm	in	mm	in	mm	in
40EST	175	6 <sup>9</sup> / <sub>10</sub>	95.4	3 <sup>49</sup> / <sub>64</sub>	238.5	9 <sup>25</sup> / <sub>64</sub>	50	1 <sup>31</sup> / <sub>32</sub>	34.4	1 <sup>23</sup> / <sub>64</sub>	120.7	2 <sup>3</sup> / <sub>4</sub>	72.5	2 <sup>55</sup> / <sub>64</sub>	154	6 <sup>1</sup> / <sub>16</sub>
45EST	194	7 <sup>5</sup> / <sub>8</sub>	100.3	3 <sup>61</sup> / <sub>64</sub>	238.5	9 <sup>25</sup> / <sub>64</sub>	50	1 <sup>31</sup> / <sub>32</sub>	64.4	2 <sup>17</sup> / <sub>32</sub>	120.7	2 <sup>3</sup> / <sub>4</sub>	72.5	2 <sup>55</sup> / <sub>64</sub>	174	6 <sup>55</sup> / <sub>64</sub>
50EST	246.8	9 <sup>2</sup> / <sub>3</sub>	105.2	4 <sup>9</sup> / <sub>64</sub>	238.5	9 <sup>25</sup> / <sub>64</sub>	50	1 <sup>31</sup> / <sub>32</sub>	64.4	2 <sup>17</sup> / <sub>32</sub>	120.7	2 <sup>3</sup> / <sub>4</sub>	72.5	2 <sup>55</sup> / <sub>64</sub>	186	7 <sup>21</sup> / <sub>64</sub>
55EST	257.5	10 <sup>1</sup> / <sub>8</sub>	135.8	5 <sup>3</sup> / <sub>8</sub>	290	11 <sup>7</sup> / <sub>16</sub>	62	2 <sup>7</sup> / <sub>16</sub>	59.5	2 <sup>5</sup> / <sub>16</sub>	160	6 <sup>1</sup> / <sub>4</sub>	80	3 <sup>1</sup> / <sub>8</sub>	209	8 <sup>1</sup> / <sub>4</sub>
65EST	273.8	10 <sup>3</sup> / <sub>4</sub>	141.8	5 <sup>9</sup> / <sub>16</sub>	290	11 <sup>7</sup> / <sub>16</sub>	62	2 <sup>7</sup> / <sub>16</sub>	59.5	2 <sup>5</sup> / <sub>16</sub>	160	6 <sup>1</sup> / <sub>4</sub>	80	3 <sup>1</sup> / <sub>8</sub>	234	9 <sup>1</sup> / <sub>4</sub>
70EST	274.2	10 <sup>13</sup> / <sub>16</sub>	142.1	5 <sup>5</sup> / <sub>8</sub>	290	11 <sup>7</sup> / <sub>16</sub>	62	2 <sup>7</sup> / <sub>16</sub>	67.5	2 <sup>11</sup> / <sub>16</sub>	160	6 <sup>1</sup> / <sub>4</sub>	80	3 <sup>1</sup> / <sub>8</sub>	282	11 <sup>1</sup> / <sub>8</sub>
70/3EST	318.5	12 <sup>9</sup> / <sub>16</sub>	186.4	7 <sup>5</sup> / <sub>16</sub>	290	11 <sup>7</sup> / <sub>16</sub>	62	2 <sup>7</sup> / <sub>16</sub>	67.5	2 <sup>11</sup> / <sub>16</sub>	160	6 <sup>1</sup> / <sub>4</sub>	80	3 <sup>1</sup> / <sub>8</sub>	294	11 <sup>9</sup> / <sub>16</sub>
80EST	320	12 <sup>19</sup> / <sub>16</sub>	174.0	6 <sup>7</sup> / <sub>8</sub>	290	11 <sup>7</sup> / <sub>16</sub>	62	2 <sup>7</sup> / <sub>16</sub>	67.5	2 <sup>11</sup> / <sub>16</sub>	160	6 <sup>1</sup> / <sub>4</sub>	80	3 <sup>1</sup> / <sub>8</sub>	294	11 <sup>9</sup> / <sub>16</sub>
80/3EST	320	12 <sup>19</sup> / <sub>16</sub>	174.0	6 <sup>7</sup> / <sub>8</sub>	290	11 <sup>7</sup> / <sub>16</sub>	62	2 <sup>7</sup> / <sub>16</sub>	67.5	2 <sup>11</sup> / <sub>16</sub>	160	6 <sup>1</sup> / <sub>4</sub>	80	3 <sup>1</sup> / <sub>8</sub>	294	11 <sup>9</sup> / <sub>16</sub>
90EST	327	12 <sup>7</sup> / <sub>8</sub>	159.5	6 <sup>1</sup> / <sub>4</sub>	290	11 <sup>7</sup> / <sub>16</sub>	62	2 <sup>7</sup> / <sub>16</sub>	-	-	-	-	-	-	326	12 <sup>3</sup> / <sub>4</sub>

### Mounting Instructions

40EST	5 x M6 (1/2 in) c'sk head screws on 121mm (4 <sup>3</sup> / <sub>4</sub> in) PCD
45EST	5 x M8 (5/16 in) c'sk head screws on 136mm (5 <sup>11</sup> / <sub>32</sub> in) PCD
50EST	6 x M8 (5/16 in) c'sk head screws on 150mm (5 <sup>29</sup> / <sub>32</sub> in) PCD
55EST	6 x M8 (5/16 in) c'sk head screws on 165mm (6 <sup>1</sup> / <sub>2</sub> in) PCD
65EST	5 x M10 (3/8 in) c'sk head screws on 184mm (7 <sup>1</sup> / <sub>4</sub> in) PCD
70EST	6 x M10 (3/8 in) c'sk head screws on 241mm (9 <sup>1</sup> / <sub>2</sub> in) PCD
70/3EST	6 x M10 (3/8 in) c'sk head screws on 241mm (9 <sup>1</sup> / <sub>2</sub> in) PCD
80EST	6 x M10 (3/8 in) c'sk head screws on 241mm (9 <sup>1</sup> / <sub>2</sub> in) PCD
80/3EST	6 x M10 (3/8 in) c'sk head screws on 241mm (9 <sup>1</sup> / <sub>2</sub> in) PCD
90/3EST	8 x M10 (3/8 in) c'sk head screws on 270mm (10 <sup>5</sup> / <sub>8</sub> in) PCD

Note: not all holes are symmetrical on all models