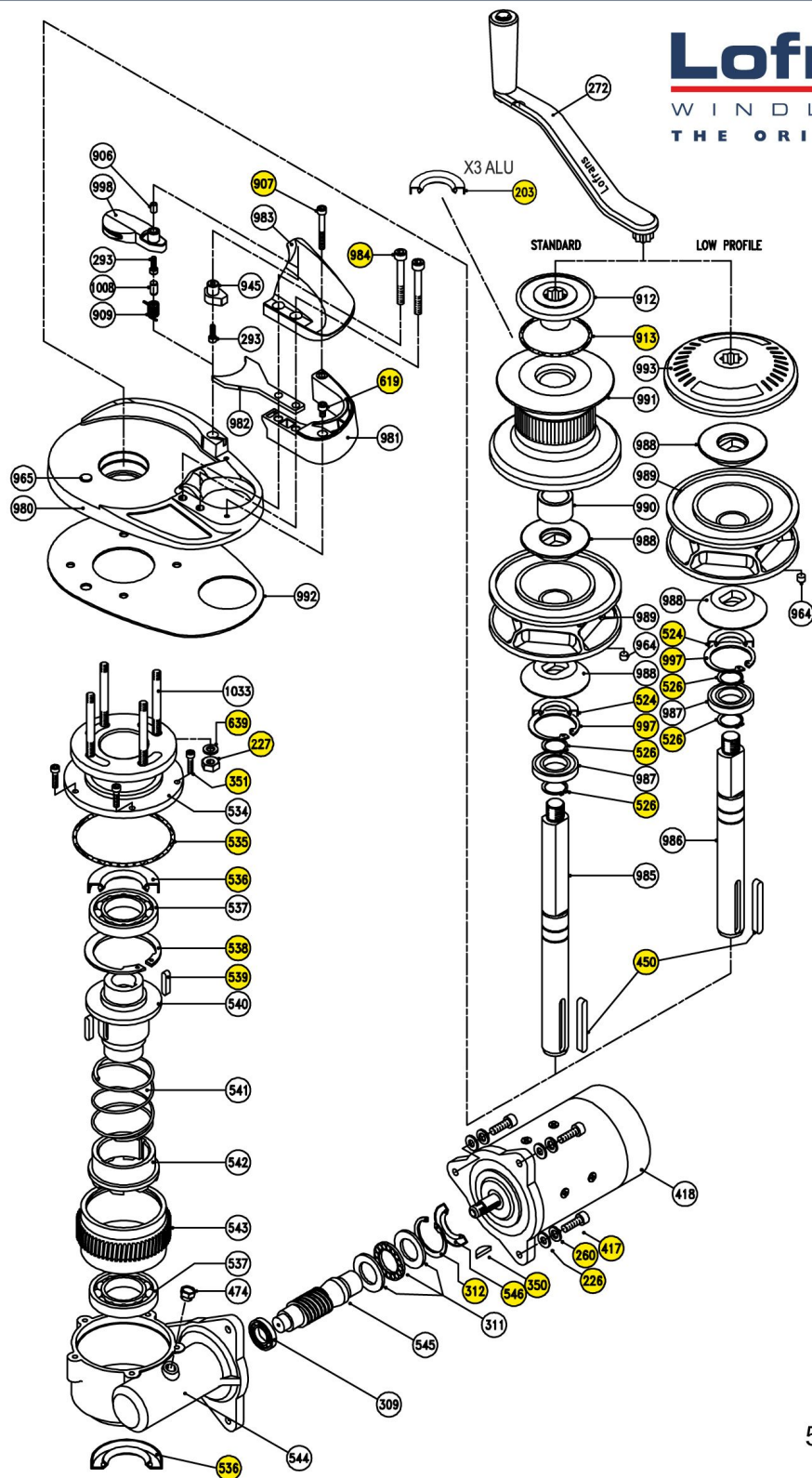


# MAINTENANCE KIT *for X3, X3 ALU & PROJECT 1500*

**Lofrans®**  
WINDLASSES  
THE ORIGINAL WINDLASS



## Spare Parts

### Included:

- 907 x 1
- 984 x 2
- 619 x 1
- 639 x 4
- 350 x 1
- 260 x 3
- 526 x 2
- 524 x 1
- 227 x 4
- 351 x 7
- 535 x 1
- 538 x 1
- 539 x 2
- 536 x 2
- 312 x 1
- 226 x 3
- 417 x 3
- 450 x 1
- 997(525) x 1
- 203 x 1
- 546 x 1
- 913 x 1

72040

LOFRANS MAINTENANCE KIT  
X3 - X3 ALU - PROJECT 1500



5 204980 720407