



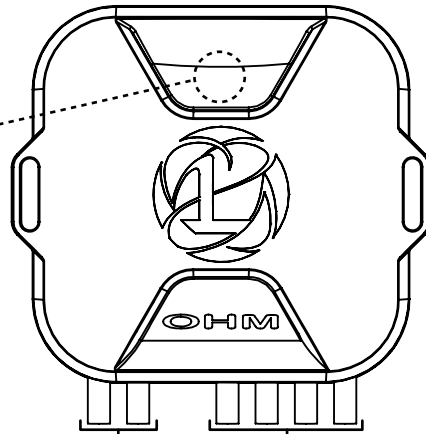
**Operation and Installation Instructions:
PLI (POWER LINE INSTRUCTION)**

The PICO OHM can be used to control Non-Lumitec RGB lighted devices. The PICO OHM must be connected to a Lumitec POCO digital controller output channel to function. The Lumitec POCO and compatible interface device (e.g. MFD, smart phone, tablet, etc.) can be used to issue PLI commands to the module. For more information on the POCO system, visit:

www.lumiteclighting.com/poco-quick-start

OFF	No Power, Or, No Initial PLI Command From POCO
GREEN STEADY	Power Applied And Output Enabled
GREEN FLASH	Power Applied And Waiting For PLI Command From POCO

STATUS LED INDICATOR MESSAGES



2-WIRE POWER INPUT:

RED = POSITIVE (V+) POCO OUTPUT CHANNEL
BLACK = NEGATIVE (V-) INPUT

4-WIRE RGBW OUTPUT:

YELLOW = MAIN RGB LED POSITIVE OUTPUT
RED = RED RGB LED NEGATIVE OUTPUT
GREEN = GREEN RGB LED NEGATIVE OUTPUT
BLUE = BLUE RGB LED NEGATIVE OUTPUT

VOLTAGE INPUT:

12VDC ONLY
MAX CURRENT DRAW:
0.4 AMPS (RGB OUTPUT)

3 Year Limited Warranty

The product is warranted to be free from defects in workmanship and materials for a period of three years from the date of original purchase. Lumitec is not responsible for product failure caused by abuse, neglect, improper installation, or failure in applications other than those for which it was designed, intended, and marketed. Should your Lumitec product prove defective during the warranty period, promptly notify Lumitec and return product with freight prepaid. Lumitec will, at its option, repair or replace the product or defective portion without charge for parts or labor, or, at Lumitec's option, refund purchase price. For more warranty information, visit:

www.lumiteclighting.com/support/warranty

600833

Label



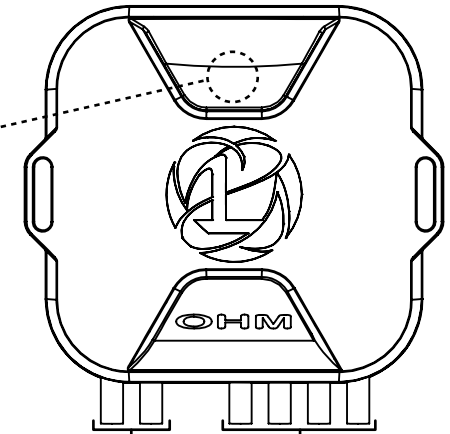
**Operation and Installation Instructions:
PLI (POWER LINE INSTRUCTION)**

The PICO OHM can be used to control Non-Lumitec RGB lighted devices. The PICO OHM must be connected to a Lumitec POCO digital controller output channel to function. The Lumitec POCO and compatible interface device (e.g. MFD, smart phone, tablet, etc.) can be used to issue PLI commands to the module. For more information on the POCO system, visit:

www.lumiteclighting.com/poco-quick-start

OFF	No Power, Or, No Initial PLI Command From POCO
GREEN STEADY	Power Applied And Output Enabled
GREEN FLASH	Power Applied And Waiting For PLI Command From POCO

STATUS LED INDICATOR MESSAGES



2-WIRE POWER INPUT:

RED = POSITIVE (V+) POCO OUTPUT CHANNEL
BLACK = NEGATIVE (V-) INPUT

4-WIRE RGBW OUTPUT:

YELLOW = MAIN RGB LED POSITIVE OUTPUT
RED = RED RGB LED NEGATIVE OUTPUT
GREEN = GREEN RGB LED NEGATIVE OUTPUT
BLUE = BLUE RGB LED NEGATIVE OUTPUT

VOLTAGE INPUT:

12VDC ONLY
MAX CURRENT DRAW:
0.4 AMPS (RGB OUTPUT)

3 Year Limited Warranty

The product is warranted to be free from defects in workmanship and materials for a period of three years from the date of original purchase. Lumitec is not responsible for product failure caused by abuse, neglect, improper installation, or failure in applications other than those for which it was designed, intended, and marketed. Should your Lumitec product prove defective during the warranty period, promptly notify Lumitec and return product with freight prepaid. Lumitec will, at its option, repair or replace the product or defective portion without charge for parts or labor, or, at Lumitec's option, refund purchase price. For more warranty information, visit:

www.lumiteclighting.com/support/warranty

600833

Label