

## SPECIFICATIONS & MOUNTING INSTRUCTIONS

### TR150 DC

Input voltage range is 10-36 VDC

Input current is 17.5A@12VDC 8.75A@24VDC

### All Versions

Correlated Color Temperature: 5000K

Color Rendering Index: 70+

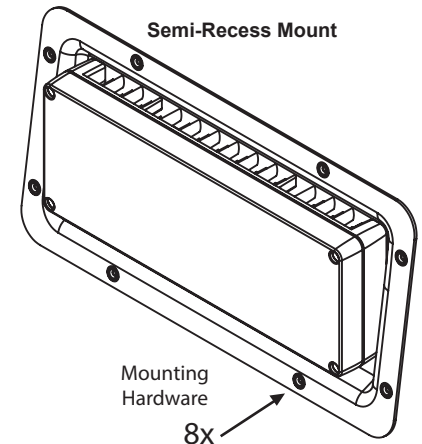
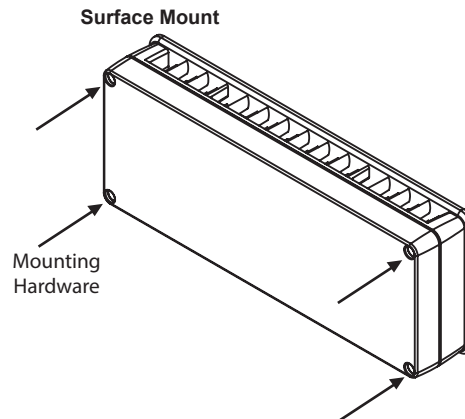
Lumens: 20,000

### TR150 DC Wiring

Red: +10 thru +36VDC (Positive)

Black: -10 thru -36VDC (Negative)

The positive (red) and negative (black) conductors are electrically isolated from the TR150 housing. Due to the high power of these lights, extra attention should be paid to the selection of the wire size. A maximum voltage drop of 3-5% through the wiring. As an example, a 12 volt light located 20 feet from the power source would require a minimum of #8AWG wire – consult the online ABYC voltage drop table or other reference for the correct distance/wire gauge combinations. The electrical supply must be externally protected by a fuse or circuit breaker suitable for the intended operating current and wire gauge.



### Surface Mount Installation

This light requires an area of 14" x 5 1/2" for mounting. Make sure adequate space is available on the mounting surface before drilling holes (see back). Drill a 1/2" through hole in the center of the mounting position for the power wires to pass. This light arrives with 4 temporary plastic wing nuts on each of the 4 corner bolts. Remove the wing nuts and use the 4 remaining machine screws with your choice of nuts. Apply a small ring of silicone RTV around the wire exit hole on the rear of the surface mount plate to ensure proper sealing. Make sure when the light is mounted that the TR150 logo reads normally, not upside down. This will ensure proper airflow for cooling.

### Semi-Recess Mount Installation

This light requires an area of 17 1/2" x 9 1/2" for mounting and requires a hole 15 1/4" wide by 7 1/4" tall by 1 1/2" deep to be cut into the mounting surface (see back). Make sure adequate space is available on the mounting surface before drilling holes. After the recess hole is cut, place and use the light assembly to mark the centers of each mounting screw position. Pre-drill holes appropriately sized for the mounting surface substrate to accommodate the #10 self-tapping screws. Apply a bead of silicone RTV around the entire rear flange of the recess mount and around mounting screw holes to ensure proper sealing. Connect the power wires, position, and use the #10 screws provided to securely mount the fixture in place. Make sure when the light is mounted that the TR150 logo reads normally, not upside down. This will ensure proper airflow for cooling.

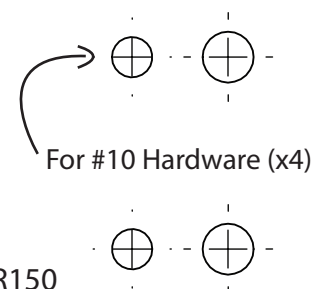
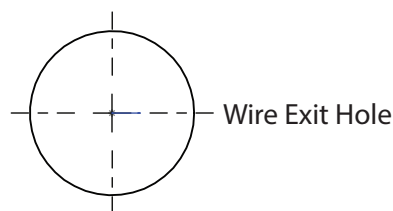
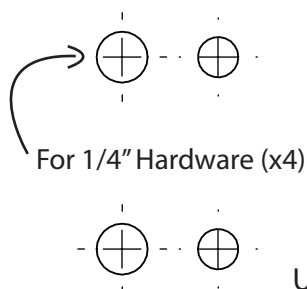
### IMPORTANT

Maximum light output is obtained when light has proper cooling via air flow. If poorly ventilated, the light is programmed to reduce power to compensate.

#### Limited Warranty

The product is warranted to be free from defects in workmanship and materials for a period of three years from the date of original purchase. Lumitec is not responsible for product failure caused by abuse, neglect, improper installation, or failure in applications other than those for which it was designed, intended, and marketed. Should your Lumitec product prove defective during the warranty period, promptly notify Lumitec and return product with freight prepaid. Lumitec will, at its option, repair or replace the product or defective portion without charge for parts or labor, or, at Lumitec's option, refund purchase price. Products repaired or replaced under this warranty shall be warranted for the unexpired portion of the warranty applying to the original product(s). No warranty or affirmation of fact, express or implied, other than as set forth in the limited warranty statement above is made or authorized by Lumitec, LLC. Any liability for consequential and incidental damages is expressly disclaimed. Lumitec's liability in all events is limited to, and shall not exceed, the purchase price paid.

## PRINT TO SCALE



Use this template for mounting of the Trunnion Mount TR150