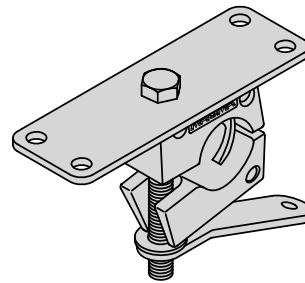


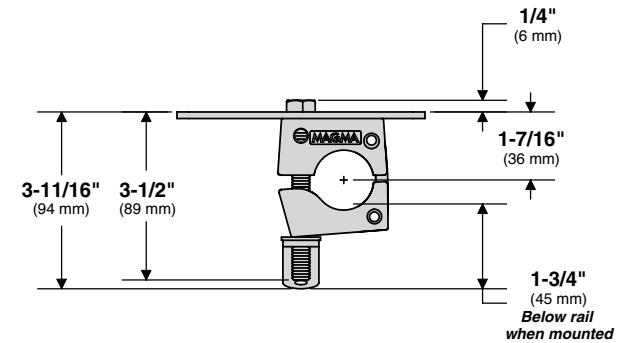
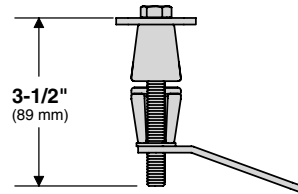
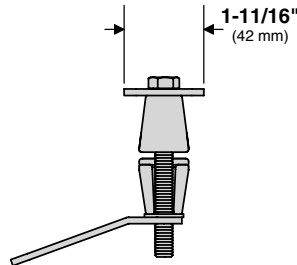
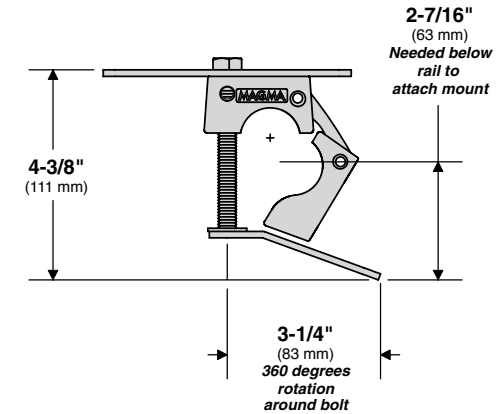
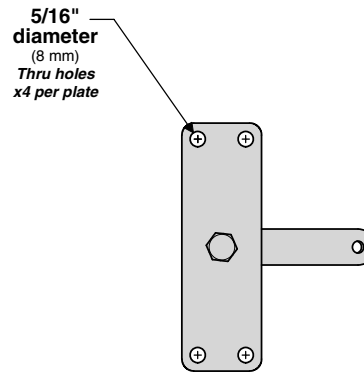
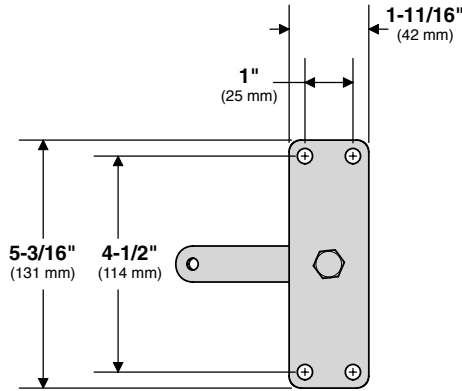
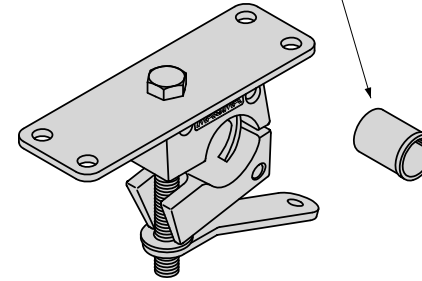
# T10-585 "Dual" Horizontal Round Rail Mount

Fits Oversize Rails 1-1/8" or 1-1/4"  
(28.5mm or 32 mm)

Mount Weight 1.81 lb.  
(0.82 kg)



Adapters included  
to fit 1-1/8" rail



**MAGMA PRODUCTS, INC.**

3940 PIXIE AVE. • LAKEWOOD, CA 90712 • TEL (562) 627-0500 • FAX (562) 627-0550

www.MagmaProducts.com • email: Mail@MagmaProducts.com